



US00D690256S

(12) **United States Design Patent**  
**Ewringmann**

(10) **Patent No.:** **US D690,256 S**

(45) **Date of Patent:** **\*\* Sep. 24, 2013**

- (54) **ROOF FOR A ROAD ROLLER**
- (71) Applicant: **Hamm AG**, Tirschenreuth (DE)
- (72) Inventor: **Ulrich Ewringmann**, Taufkirchen (DE)
- (73) Assignee: **Hamm AG**, Tirschenreuth (DE)

(\*\*) Term: **14 Years**

(21) Appl. No.: **29/452,329**

(22) Filed: **Apr. 15, 2013**

(51) **LOC (9) Cl.** ..... **12-16**

(52) **U.S. Cl.**  
USPC ..... **D12/401**

(58) **Field of Classification Search**  
USPC ..... D12/401-405; 160/370.21, 370.22,  
160/370.23; 280/770; 150/158, 165-167;  
296/98, 100.01-100.18, 136.01, 136.05,  
296/136.06, 136.07, 95.1, 77.1; 135/88.01,  
135/95

See application file for complete search history.

(56) **References Cited**

U.S. PATENT DOCUMENTS

5,094,500	A *	3/1992	Maypole et al.	296/102
D330,350	S *	10/1992	Maypole et al.	D12/16
D431,018	S *	9/2000	Maypole	D12/401
D453,727	S *	2/2002	Shugar et al.	D12/401
D497,872	S *	11/2004	Bonner et al.	D12/401

D534,188	S *	12/2006	Shuttleworth et al.	D15/33
D549,639	S *	8/2007	Tuo	D12/401
D550,145	S *	9/2007	Fisker et al.	D12/401
D586,721	S *	2/2009	Hildebrand et al.	D12/401
D639,229	S *	6/2011	van Voorst tot Voorst	D12/401
7,966,774	B2 *	6/2011	Kea et al.	52/66
D678,173	S *	3/2013	McIntire	D12/401

\* cited by examiner

*Primary Examiner* — Katrina A Betton

(74) *Attorney, Agent, or Firm* — Maier & Maier PLLC

(57) **CLAIM**

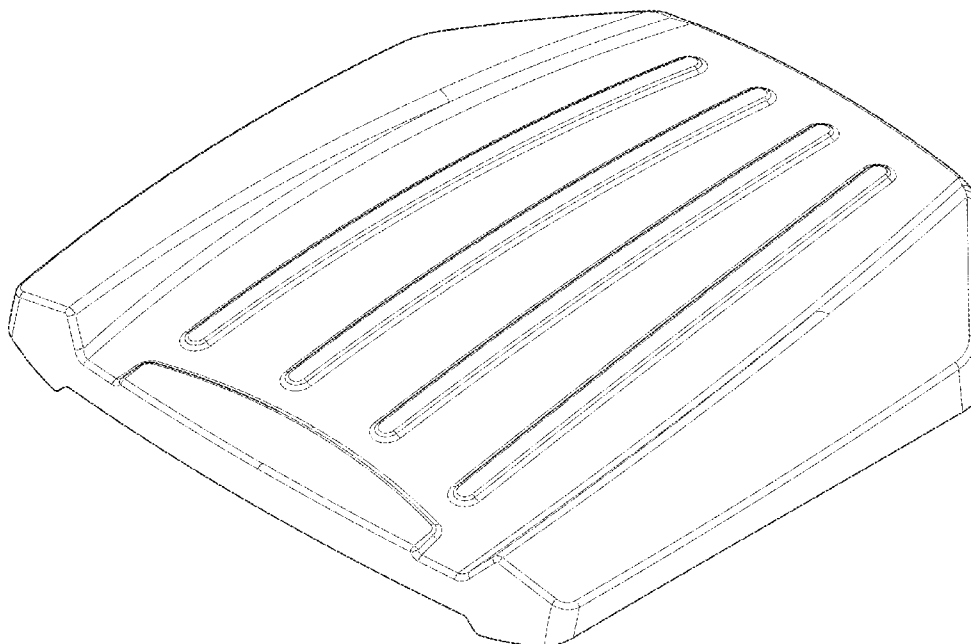
The ornamental design for a roof for a road roller, as shown and described.

**DESCRIPTION**

FIG. 1 is a front left perspective view of a roof for a road roller, showing my design;  
 FIG. 2 is a rear right perspective view thereof;  
 FIG. 3 is a front view thereof;  
 FIG. 4 is a rear view thereof;  
 FIG. 5 is a left side view thereof;  
 FIG. 6 is a right side view thereof;  
 FIG. 7 is a top view thereof;  
 FIG. 8 is a bottom view thereof; and,  
 FIG. 9 is a front left perspective view of the roof for a road roller in use on a road roller.

The broken line showing of a road roller in FIG. 9 is included for the purpose of illustrating environmental structure only and forms no part of the claimed design.

**1 Claim, 7 Drawing Sheets**



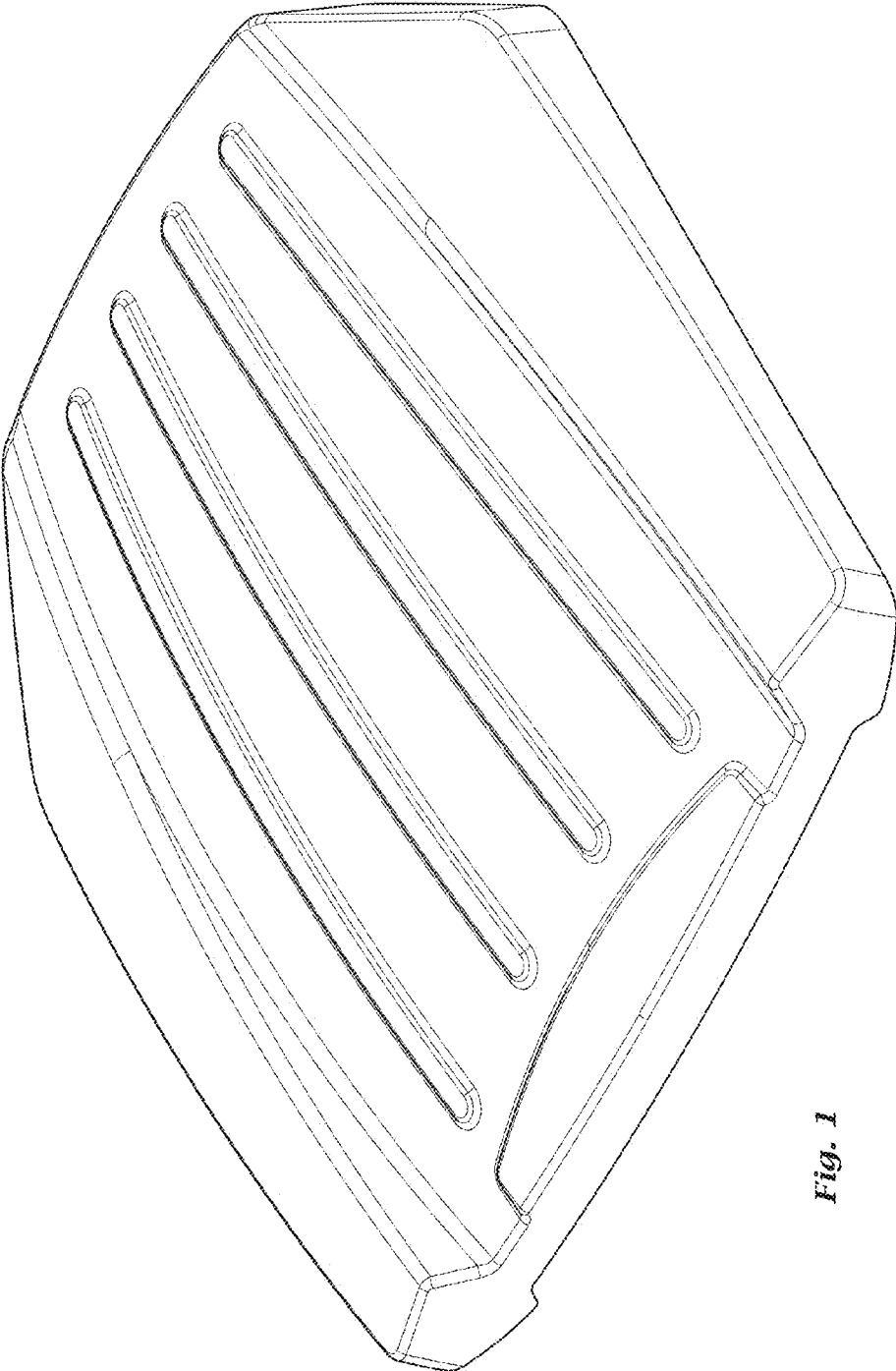


Fig. 1

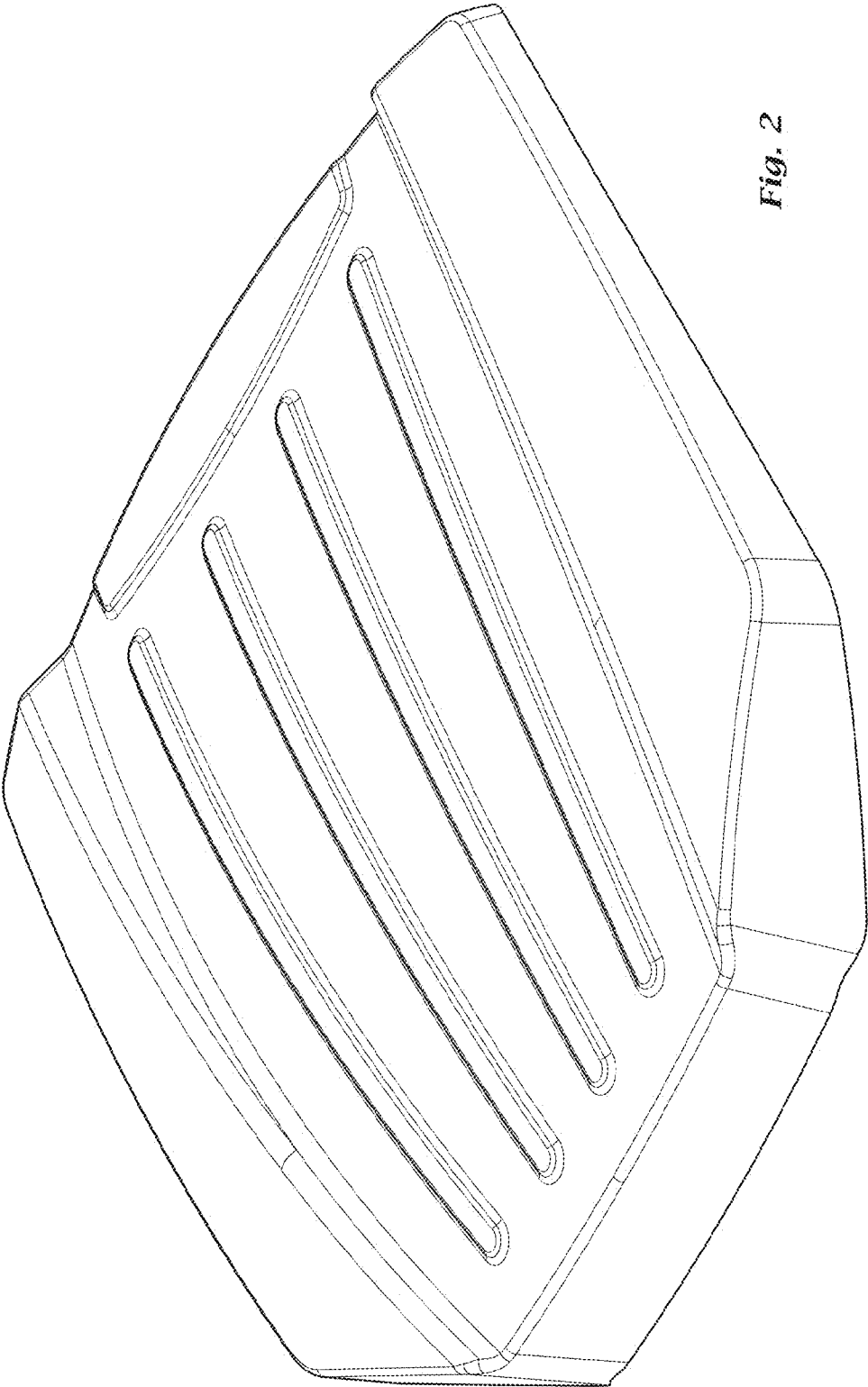
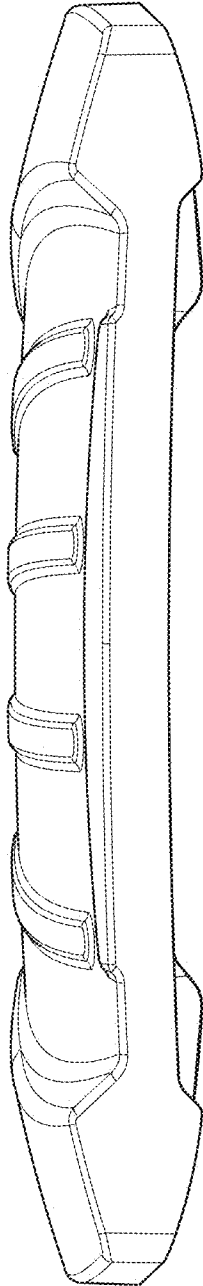
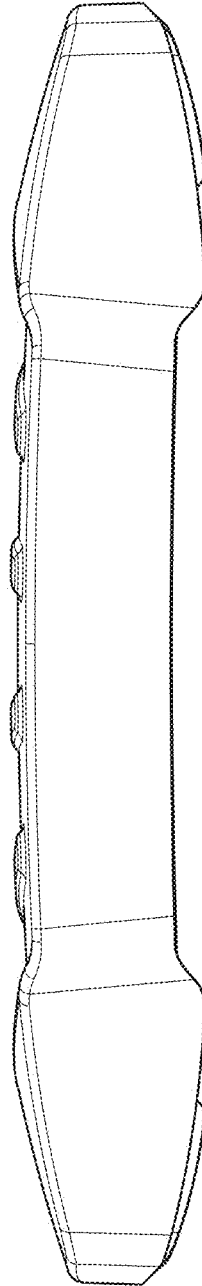


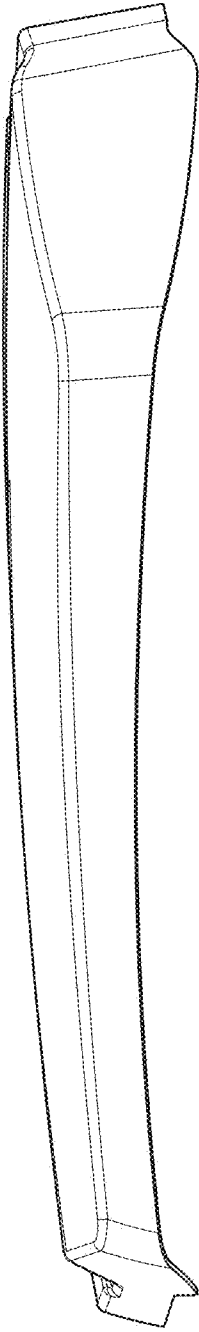
Fig. 2



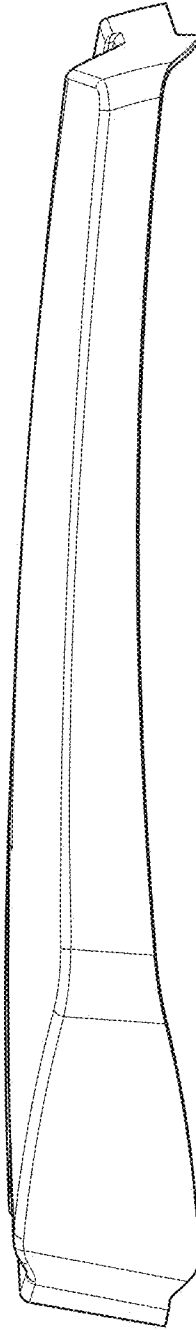
*Fig. 3*



*Fig. 4*



*Fig. 5*



*Fig. 6*

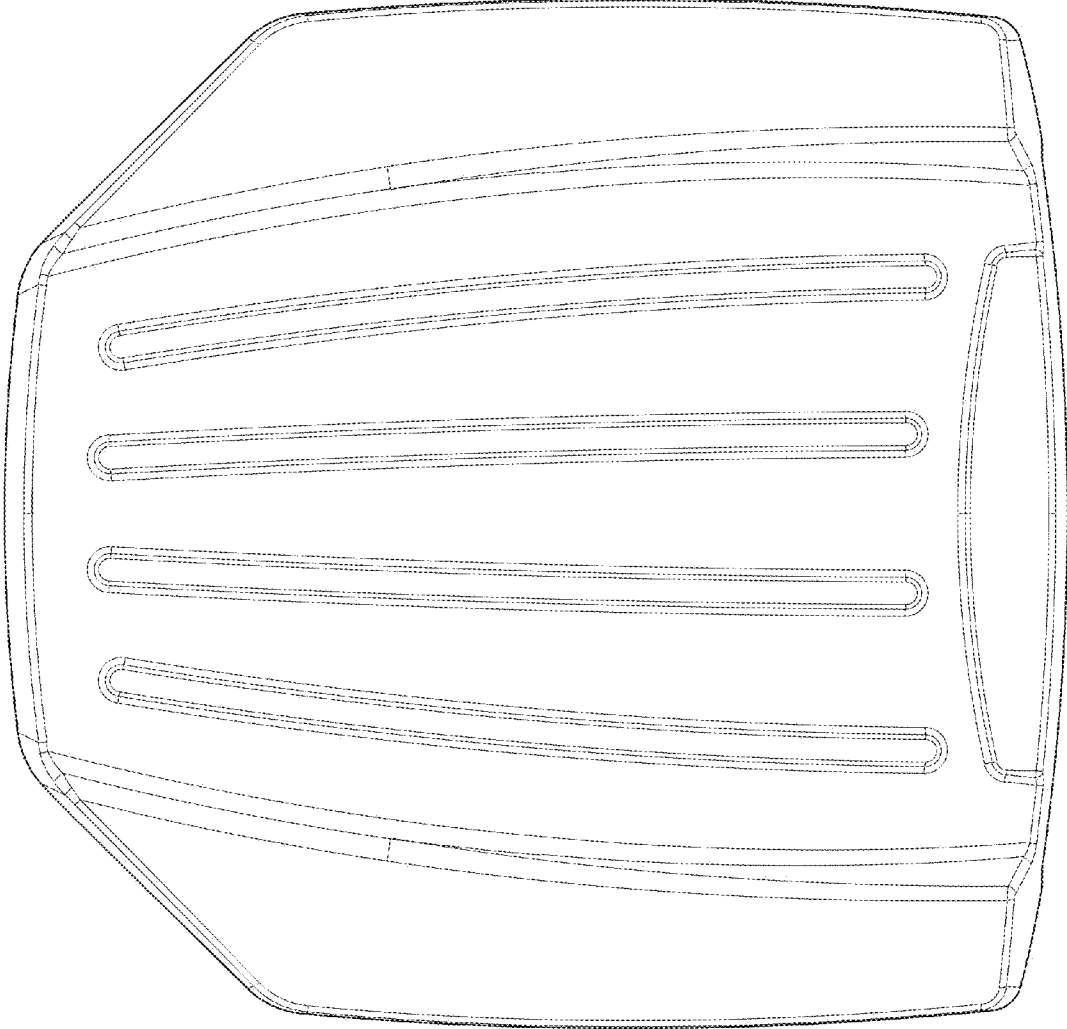


Fig. 7

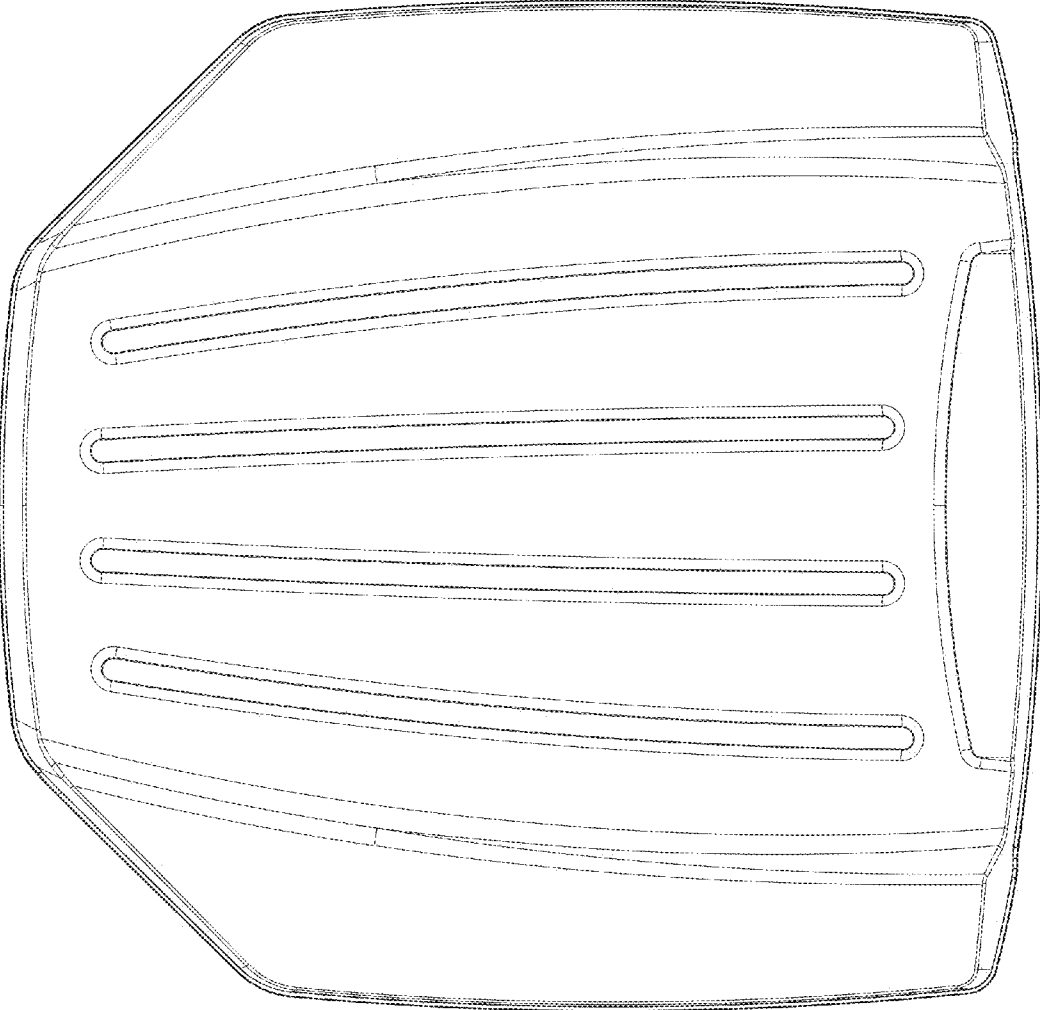


Fig. 8

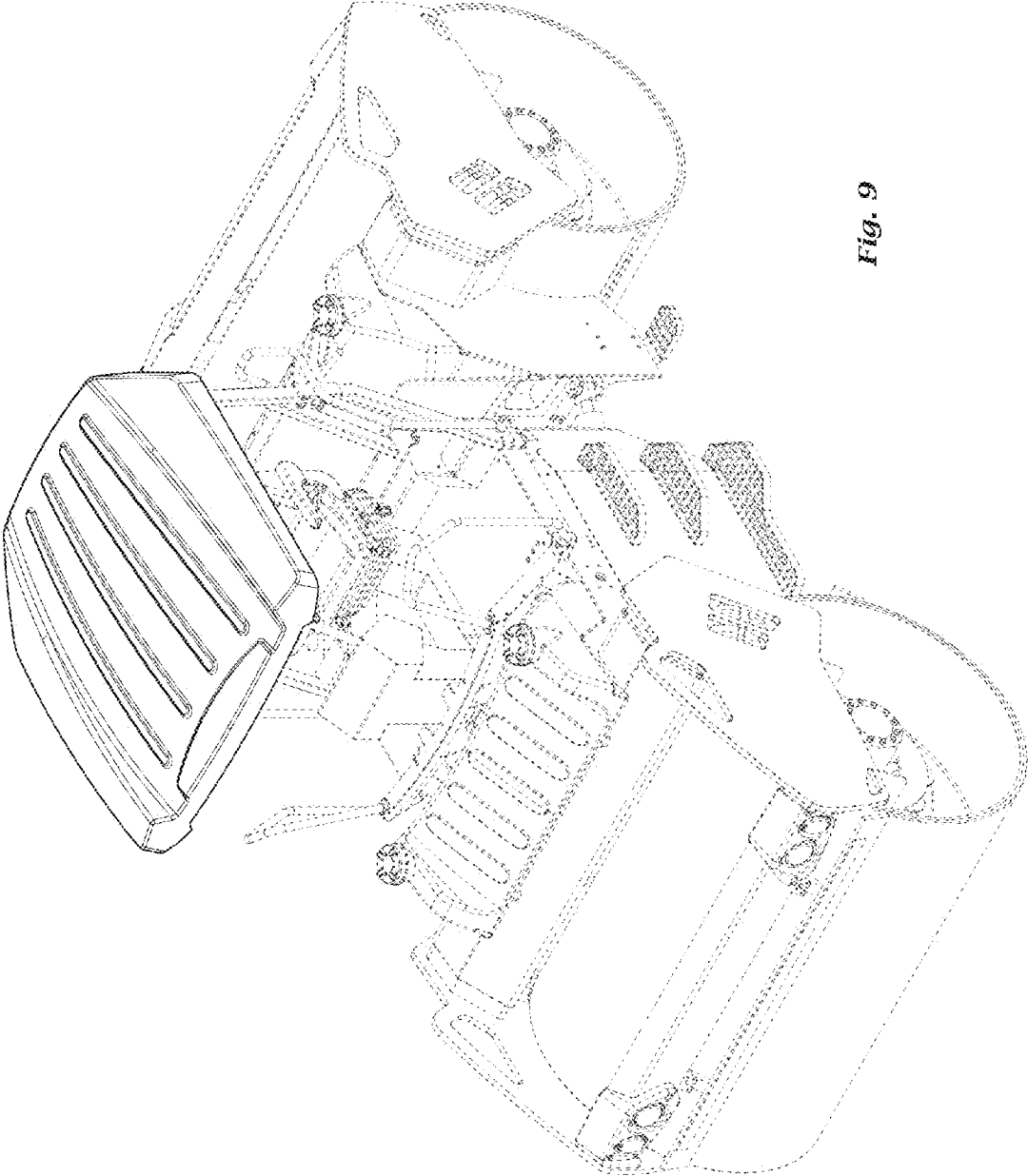


Fig. 9