

[54] EGG CUP WITH A SPOON

[75] Inventor: Ambrogio Pozzi, Gallarate, Italy

[73] Assignee: Fratelli Guzzini S.p.A., Recanati, Italy

[**] Term: 14 Years

[21] Appl. No.: 109,423

[22] Filed: Oct. 16, 1987

[30] Foreign Application Priority Data

Apr. 27, 1987 [IT] Italy 21464/87[U]

[52] U.S. Cl. D7/503; D7/505; D7/653; D9/337

[58] Field of Search D7/76, 77, 3, 16-18, D7/7, 84.1, 138; D9/423, 424, 337, 428

[56] References Cited

U.S. PATENT DOCUMENTS

D. 220,775	5/1971	O'Neill	D7/7
D. 280,058	8/1985	Carlson	D7/16
1,607,865	11/1926	Butler	D7/3 X
2,004,449	6/1935	Stanley	D7/16 X
3,565,245	2/1971	Asher	D7/138 X
4,531,475	7/1985	Thill	D7/84.1 X

OTHER PUBLICATIONS

Design 460, Apr., 1987, p. 20, lower left panel, Egg-Cup "Egg-Plinth with Craved Groove for Spoon", from Spong & Co.

Primary Examiner—Winifred E. Herrmann
Attorney, Agent, or Firm—Hedman, Gibson, Costigan & Hoare

[57] CLAIM

The ornamental design for an egg cup with a spoon, as shown and described.

DESCRIPTION

FIG. 1 is a top perspective view of an egg cup with a spoon showing my new design;
FIG. 2 is a front elevational view thereof taken in the direction of arrow 2 on FIG. 1;
FIG. 3 is a rear elevational view thereof taken in the direction of arrow 3 on FIG. 1;
FIG. 4 is right side elevational view thereof taken in the direction of arrow 4 on FIG. 1;
FIG. 5 is a left side elevational view thereof taken in the direction of arrow 5 on FIG. 1;
FIG. 6 is a top plan view thereof; and
FIG. 7 is a bottom plan view thereof.



Fig.1

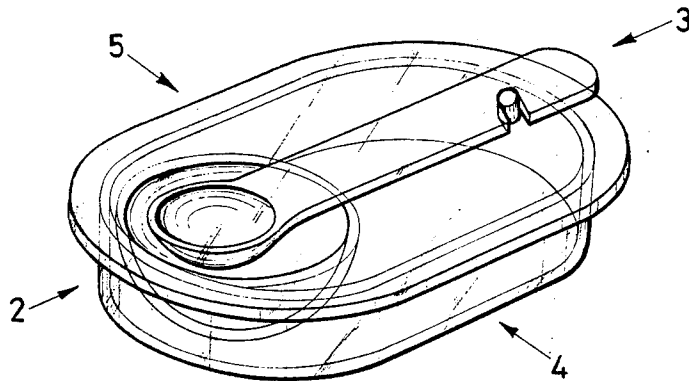
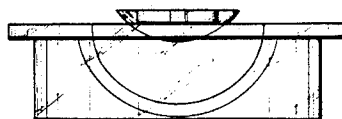


Fig.2



Fig.3



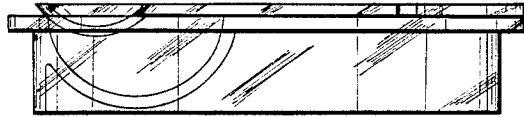


Fig.4

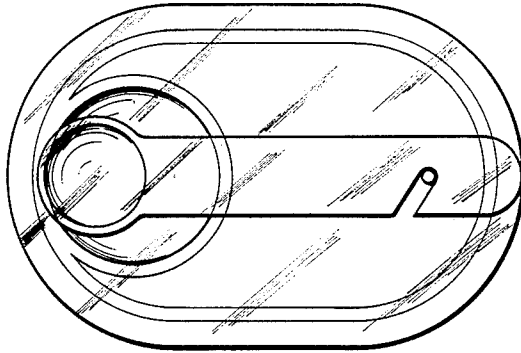


Fig.6

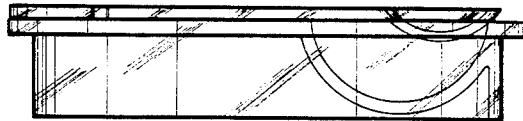


Fig.5

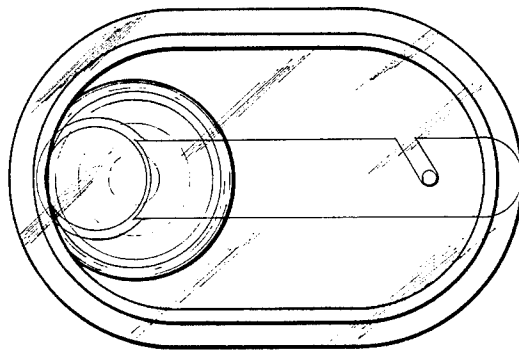


Fig.7