

(19) World Intellectual Property Organization  
International Bureau



(43) International Publication Date  
24 February 2005 (24.02.2005)

PCT

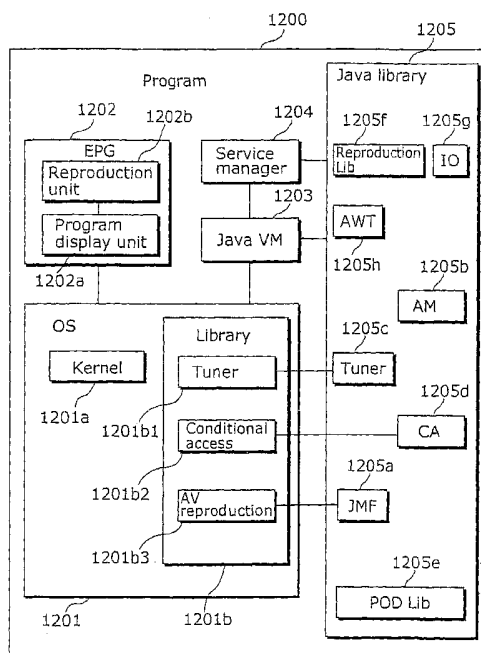
(10) International Publication Number  
WO 2005/017675 A3

- (51) International Patent Classification<sup>7</sup>: **G06F 9/46**
- (21) International Application Number: PCT/US2004/025068
- (22) International Filing Date: 4 August 2004 (04.08.2004)
- (25) Filing Language: English
- (26) Publication Language: English
- (30) Priority Data: 60/492,328 5 August 2003 (05.08.2003) US
- (71) Applicant (for all designated States except US): MATSUSHITA ELECTRIC INDUSTRIAL CO., LTD. [JP/JP]; 1006, Oaza Kadoma, Kadoma-shi, Osaka, Osaka 571-8501 (JP).
- (72) Inventors; and
- (75) Inventors/Applicants (for US only): SHIOMI, Takakazu [JP/JP]; 30-5, Tohda-cho, Hirakata-shi, Osaka, Osaka 573-0045 (JP). WATANABE, Shigeaki [JP/US]; 601 Bradley Court, Mount Laurel, NJ 08054 (US). IMANISHI, Yoshinori [JP/JP]; 6-22-12-D-201, Saijochuo, Higashihiroshima-shi, Hiroshima, Hiroshima 739-0025 (JP).
- (74) Agents: BERNSTEIN, Bruce H. et al.; 1950 Roland Clarke Place, Reston, VA 20191 (US).
- (81) Designated States (unless otherwise indicated, for every kind of national protection available): AE, AG, AL, AM, AT, AU, AZ, BA, BB, BG, BR, BW, BY, BZ, CA, CH, CN, CO, CR, CU, CZ, DE, DK, DM, DZ, EC, EE, EG, ES, FI, GB, GD, GE, GH, GM, HR, HU, ID, IL, IN, IS, KE, KG, KP, KR, KZ, LC, LK, LR, LS, LT, LU, LV, MA, MD, MG, MK, MN, MW, MX, MZ, NA, NI, NO, NZ, OM, PG, PH, PL, PT, RO, RU, SC, SD, SE, SG, SK, SL, SY, TJ, TM, TN, TR, TT, TZ, UA, UG, US, UZ, VC, VN, YU, ZA, ZM, ZW.
- (84) Designated States (unless otherwise indicated, for every kind of regional protection available): ARIPO (BW, GH, GM, KE, LS, MW, MZ, NA, SD, SL, SZ, TZ, UG, ZM, ZW), Eurasian (AM, AZ, BY, KG, KZ, MD, RU, TJ, TM), European (AT, BE, BG, CH, CY, CZ, DE, DK, EE, ES, FI, FR, GB, GR, HU, IE, IT, LU, MC, NL, PL, PT, RO, SE, SI, SK, TR), OAPI (BF, BJ, CF, CG, CI, CM, GA, GN, GQ, GW, ML, MR, NE, SN, TD, TG).

Published: with international search report

[Continued on next page]

(54) Title: PROGRAM EXECUTING APPARATUS



(57) Abstract: The embedded program 1200 comprises a part of the function of the Java program. The embedded program 1200 executes the part of the function during the start-up processing period of Java program. Thus, the start-up time appears to be shortened. Further, the present invention provides the information regarding the action state of the embedded program 1200 to the Java program, thereby enabling a consistent execution of the Java program on completion of the Java program start-up process.

WO 2005/017675 A3



— *before the expiration of the time limit for amending the claims and to be republished in the event of receipt of amendments*

*For two-letter codes and other abbreviations, refer to the "Guidance Notes on Codes and Abbreviations" appearing at the beginning of each regular issue of the PCT Gazette.*

**(88) Date of publication of the international search report:**

3 November 2005

**INTERNATIONAL SEARCH REPORT**

International application No.

PCT/US04/25068

<p>A. CLASSIFICATION OF SUBJECT MATTER                  IPC(7) : G06 F 9/46                  US CL : 718/100                  According to International Patent Classification (IPC) or to both national classification and IPC</p>												
<p>B. FIELDS SEARCHED</p> <p>Minimum documentation searched (classification system followed by classification symbols)                  U.S. : 718/100</p> <p>Documentation searched other than minimum documentation to the extent that such documents are included in the fields searched</p> <p>Electronic data base consulted during the international search (name of data base and, where practicable, search terms used)                  East</p>												
<p>C. DOCUMENTS CONSIDERED TO BE RELEVANT</p> <table border="1"> <thead> <tr> <th>Category *</th> <th>Citation of document, with indication, where appropriate, of the relevant passages</th> <th>Relevant to claim No.</th> </tr> </thead> <tbody> <tr> <td>X, E</td> <td>US 6,874,145 (Ye et al.) 29 March 2005, col. 5, lines 23 - 54, col. 7, lines 46 - 49, col. 8, lines 60 - 64, col. 11, lines 10 - 16, col. 12, lines 29 - 34, col. 13, lines 59 - 67, figs 6 and 7.</td> <td>1 - 5 and 15</td> </tr> <tr> <td>Y, E</td> <td>US 6,874,145 (Ye et al.) 29 March 2005, col. 5, lines 6 - 58, col. 7, lines 46 - 49, col. 8, lines 60 - 64, col. 11, lines 10 - 16, col. 12, lines 29 - 34, col. 13, lines 59 - 67, col. 14, lines 15 - 21, 62 - 64, figs 2A, 4A, 4B.</td> <td>6 - 14</td> </tr> </tbody> </table>			Category *	Citation of document, with indication, where appropriate, of the relevant passages	Relevant to claim No.	X, E	US 6,874,145 (Ye et al.) 29 March 2005, col. 5, lines 23 - 54, col. 7, lines 46 - 49, col. 8, lines 60 - 64, col. 11, lines 10 - 16, col. 12, lines 29 - 34, col. 13, lines 59 - 67, figs 6 and 7.	1 - 5 and 15	Y, E	US 6,874,145 (Ye et al.) 29 March 2005, col. 5, lines 6 - 58, col. 7, lines 46 - 49, col. 8, lines 60 - 64, col. 11, lines 10 - 16, col. 12, lines 29 - 34, col. 13, lines 59 - 67, col. 14, lines 15 - 21, 62 - 64, figs 2A, 4A, 4B.	6 - 14	
Category *	Citation of document, with indication, where appropriate, of the relevant passages	Relevant to claim No.										
X, E	US 6,874,145 (Ye et al.) 29 March 2005, col. 5, lines 23 - 54, col. 7, lines 46 - 49, col. 8, lines 60 - 64, col. 11, lines 10 - 16, col. 12, lines 29 - 34, col. 13, lines 59 - 67, figs 6 and 7.	1 - 5 and 15										
Y, E	US 6,874,145 (Ye et al.) 29 March 2005, col. 5, lines 6 - 58, col. 7, lines 46 - 49, col. 8, lines 60 - 64, col. 11, lines 10 - 16, col. 12, lines 29 - 34, col. 13, lines 59 - 67, col. 14, lines 15 - 21, 62 - 64, figs 2A, 4A, 4B.	6 - 14										
<p><input type="checkbox"/> Further documents are listed in the continuation of Box C.      <input type="checkbox"/> See patent family annex.</p>												
<p>* Special categories of cited documents:</p> <table border="0"> <tr> <td>"A" document defining the general state of the art which is not considered to be of particular relevance</td> <td>"T" later document published after the international filing date or priority date and not in conflict with the application but cited to understand the principle or theory underlying the invention</td> </tr> <tr> <td>"E" earlier application or patent published on or after the international filing date</td> <td>"X" document of particular relevance; the claimed invention cannot be considered novel or cannot be considered to involve an inventive step when the document is taken alone</td> </tr> <tr> <td>"L" document which may throw doubts on priority claim(s) or which is cited to establish the publication date of another citation or other special reason (as specified)</td> <td>"Y" document of particular relevance; the claimed invention cannot be considered to involve an inventive step when the document is combined with one or more other such documents, such combination being obvious to a person skilled in the art</td> </tr> <tr> <td>"O" document referring to an oral disclosure, use, exhibition or other means</td> <td>"&amp;" document member of the same patent family</td> </tr> <tr> <td>"P" document published prior to the international filing date but later than the priority date claimed</td> <td></td> </tr> </table>			"A" document defining the general state of the art which is not considered to be of particular relevance	"T" later document published after the international filing date or priority date and not in conflict with the application but cited to understand the principle or theory underlying the invention	"E" earlier application or patent published on or after the international filing date	"X" document of particular relevance; the claimed invention cannot be considered novel or cannot be considered to involve an inventive step when the document is taken alone	"L" document which may throw doubts on priority claim(s) or which is cited to establish the publication date of another citation or other special reason (as specified)	"Y" document of particular relevance; the claimed invention cannot be considered to involve an inventive step when the document is combined with one or more other such documents, such combination being obvious to a person skilled in the art	"O" document referring to an oral disclosure, use, exhibition or other means	"&" document member of the same patent family	"P" document published prior to the international filing date but later than the priority date claimed	
"A" document defining the general state of the art which is not considered to be of particular relevance	"T" later document published after the international filing date or priority date and not in conflict with the application but cited to understand the principle or theory underlying the invention											
"E" earlier application or patent published on or after the international filing date	"X" document of particular relevance; the claimed invention cannot be considered novel or cannot be considered to involve an inventive step when the document is taken alone											
"L" document which may throw doubts on priority claim(s) or which is cited to establish the publication date of another citation or other special reason (as specified)	"Y" document of particular relevance; the claimed invention cannot be considered to involve an inventive step when the document is combined with one or more other such documents, such combination being obvious to a person skilled in the art											
"O" document referring to an oral disclosure, use, exhibition or other means	"&" document member of the same patent family											
"P" document published prior to the international filing date but later than the priority date claimed												
<p>Date of the actual completion of the international search                  14 July 2005 (14.07.2005)</p>		<p>Date of mailing of the international search report  <b>30 AUG 2005</b></p>										
<p>Name and mailing address of the ISA/US                  Mail Stop PCT, Attn: ISA/US                  Commissioner for Patents                  P.O. Box 1450                  Alexandria, Virginia 22313-1450                  Facsimile No. (571) 273-8300</p>		<p>Authorized officer                  Meng-Ai An                  Telephone No. 571-272-2100</p>										