



(12) **United States Design Patent**  
**Wu**

(10) **Patent No.:** **US D999,959 S**  
(45) **Date of Patent:** **\*\* Sep. 26, 2023**

(54) **CLIP-ON LIGHT**

(71) Applicant: **Shenzhen Glocusent Technology Co., Ltd.**, Shenzhen (CN)

(72) Inventor: **Manchuan Wu**, Shenzhen (CN)

(\*\*) Term: **15 Years**

(21) Appl. No.: **29/814,356**

(22) Filed: **Nov. 5, 2021**

(51) **LOC (14) Cl.** ..... **26-05**

(52) **U.S. Cl.**  
USPC ..... **D26/60**

(58) **Field of Classification Search**  
USPC ..... D26/24, 50, 51, 60–66, 72, 73, 93, 94,  
D26/113, 118, 123, 124  
CPC .... F21S 6/00; F21S 6/002; F21S 6/003; F21S  
6/006; F21S 9/00; F21S 9/02; F21W  
2131/30; F21W 2131/3005  
See application file for complete search history.

(56) **References Cited**

**U.S. PATENT DOCUMENTS**

4,238,816	A	*	12/1980	Merlo	.....	F21V 21/32 362/306
5,765,793	A	*	6/1998	Yu	.....	F21V 21/08 362/396
D438,318	S	*	2/2001	Lo	.....	D26/62
D498,322	S	*	11/2004	Schnell	.....	D26/62
D524,977	S	*	7/2006	Smith	.....	D26/113
D529,651	S	*	10/2006	Chan	.....	D26/62
D544,124	S	*	6/2007	Chan	.....	D26/43
D590,533	S	*	4/2009	Li	.....	D26/62
D600,853	S	*	9/2009	Clepper	.....	D26/60
D775,391	S	*	12/2016	Law	.....	D26/62
D825,823	S	*	8/2018	Ren	.....	D26/107
D829,355	S	*	9/2018	Li	.....	D26/62
D838,888	S	*	1/2019	Shengbiao	.....	D26/60
D861,219	S	*	9/2019	Shengbiao	.....	D26/60
D861,944	S	*	10/2019	Wu	.....	D26/60
D890,399	S	*	7/2020	Su	.....	D26/60

D899,654	S	*	10/2020	Zhou	.....	D26/60
D901,739	S	*	11/2020	Wu	.....	D26/60
D904,660	S	*	12/2020	Smith	.....	D26/60
D921,254	S	*	6/2021	Preutz	.....	D26/60

(Continued)

**OTHER PUBLICATIONS**

Clip on Light, posted at Amazon, date first available May 6, 2022. Site visited Feb. 21, 2023. Available from internet, URL: [https://www.amazon.com/dp/B09ZP8MJ3Q?\\_encoding=UTF8&psc=1&ref\\_cm\\_sw\\_r\\_cp\\_ud\\_dp\\_KY7RNTQ9930QH9SQ6JQB](https://www.amazon.com/dp/B09ZP8MJ3Q?_encoding=UTF8&psc=1&ref_cm_sw_r_cp_ud_dp_KY7RNTQ9930QH9SQ6JQB) (Year: 2022).\*

(Continued)

*Primary Examiner* — Samantha Wood

*Assistant Examiner* — Vanessa Martinez

(74) *Attorney, Agent, or Firm* — Jose Cherson Weissbrot

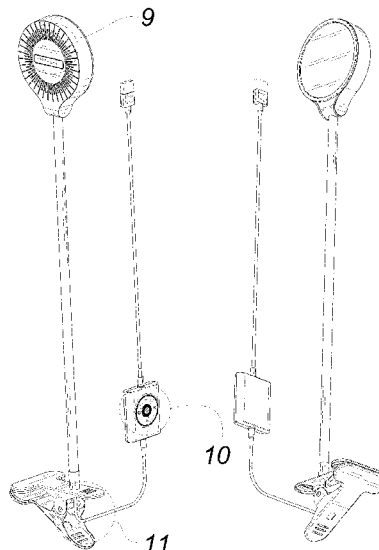
(57) **CLAIM**

The ornamental design for a clip-on light, as shown and described.

**DESCRIPTION**

FIG. 1 is a perspective view of a clip-on light showing my new design;  
FIG. 2 is another perspective view thereof;  
FIG. 3 is a front elevational view thereof;  
FIG. 4 is a rear elevational view thereof;  
FIG. 5 is a left elevational view thereof;  
FIG. 6 is a right side view thereof;  
FIG. 7 is a top side view thereof;  
FIG. 8 is a bottom plan view thereof;  
FIG. 9 is a partial enlarged view of FIG. 1;  
FIG. 10 is a partial enlarged view of FIG. 1; and,  
FIG. 11 is a partial enlarged view of FIG. 1.  
The broken lines in the figures are for the purposes of illustrating portions of the clip-on light, which form no part of the claimed design.

**1 Claim, 11 Drawing Sheets**



(56)

References Cited

U.S. PATENT DOCUMENTS

D923,224	S	*	6/2021	Zhang	.....	D26/60
D955,023	S	*	6/2022	Huang	.....	D26/60
D963,223	S	*	9/2022	Qian	.....	D26/60

OTHER PUBLICATIONS

LED Reading Light, posted at Amazon, date first available Sep. 20, 2020. Site visited Feb. 21, 2023. Available from internet, URL: [https://www.amazon.com/dp/B08JHW5WR9?\\_encoding=UTF8&psc=1&ref\\_=cm\\_sw\\_r\\_cp\\_ud\\_dp\\_E9SW2YG3477GBB5AMJFV](https://www.amazon.com/dp/B08JHW5WR9?_encoding=UTF8&psc=1&ref_=cm_sw_r_cp_ud_dp_E9SW2YG3477GBB5AMJFV) (Year: 2020).\*

Clip on Lamp, posted at Amazon, date first available Dec. 5, 2019. Site visited Feb. 21, 2023. Available from internet, URL: [https://www.amazon.com/dp/B082F5TK1W?\\_encoding=UTF8&psc=1&ref\\_=cm\\_sw\\_r\\_cp\\_ud\\_dp\\_9K2NCPHFG81D2MEHQG0D](https://www.amazon.com/dp/B082F5TK1W?_encoding=UTF8&psc=1&ref_=cm_sw_r_cp_ud_dp_9K2NCPHFG81D2MEHQG0D) (Year: 2019).\*

LED Desk Lamp, posted at Amazon, date first available May 19, 2020. Site visited Feb. 21, 2023. Available from internet, URL:

[https://www.amazon.com/dp/B088T34YWP?ref\\_=cm\\_sw\\_r\\_cp\\_ud\\_dp\\_FTAEA4H3815MP7JNVZPW](https://www.amazon.com/dp/B088T34YWP?ref_=cm_sw_r_cp_ud_dp_FTAEA4H3815MP7JNVZPW) (Year: 2020).\*

Glocusent Clip on Light, date first available Oct. 25, 2021. Site visited Feb. 23, 2023. Available from internet, URL: <https://www.amazon.com/Glocusent-Brightness-Gooseneck-Headboard-Computer/dp/B09K744PJ3?th=1> (Year: 2021).\*

Clip on Light, posted at ubuy, date first available Nov. 17, 2021. Site visited Jun. 28, 2023. Available from internet, URL: <https://www.ubuy.com.br/en/product/46DM3SNYW-glocusent-5w-clip-on-light-32-led-reading-light-for-bed-headboard-eye-caring-reading-lamp-for-bed-gooseneck-design-3-color-5-brightness> (Year: 2021).\*

LED Desk Lamp Clip on Light, posted at amazon, date first available May 24, 2021. Site visited Jun. 28, 2023. Available from internet, URL: <https://www.amazon.com/Flexible-Gooseneck-Reading-Lighting-Stepless/dp/B091CJFXQ5> (Year: 2021).\*

Lepower, posted at amazon, date first available Oct. 19, 2015. Site visited Jun. 28, 2023. Available from internet, URL: [https://www.amazon.com/dp/B016U6ZJGM?\\_encoding=UTF8&psc=1&ref\\_=cm\\_sw\\_r\\_cp\\_ud\\_dp\\_S8JTQ7GB01CWDHMQERYR](https://www.amazon.com/dp/B016U6ZJGM?_encoding=UTF8&psc=1&ref_=cm_sw_r_cp_ud_dp_S8JTQ7GB01CWDHMQERYR) (Year: 2015).\*

\* cited by examiner

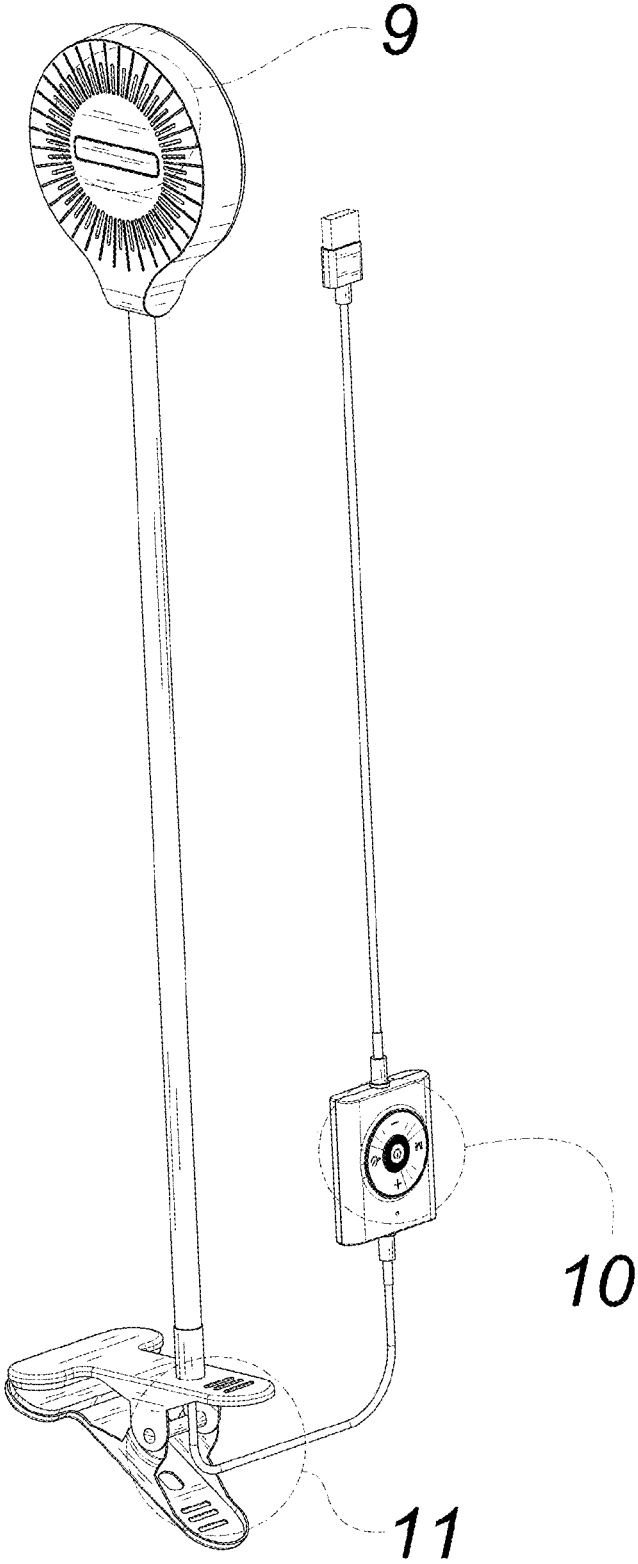
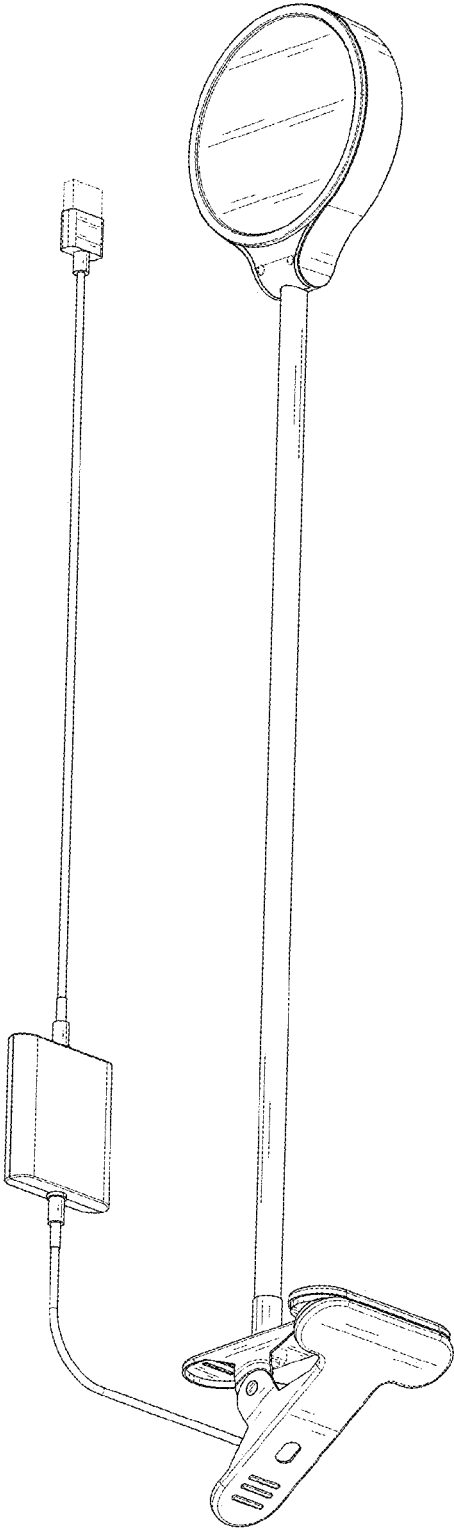


FIG. 1



**FIG. 2**

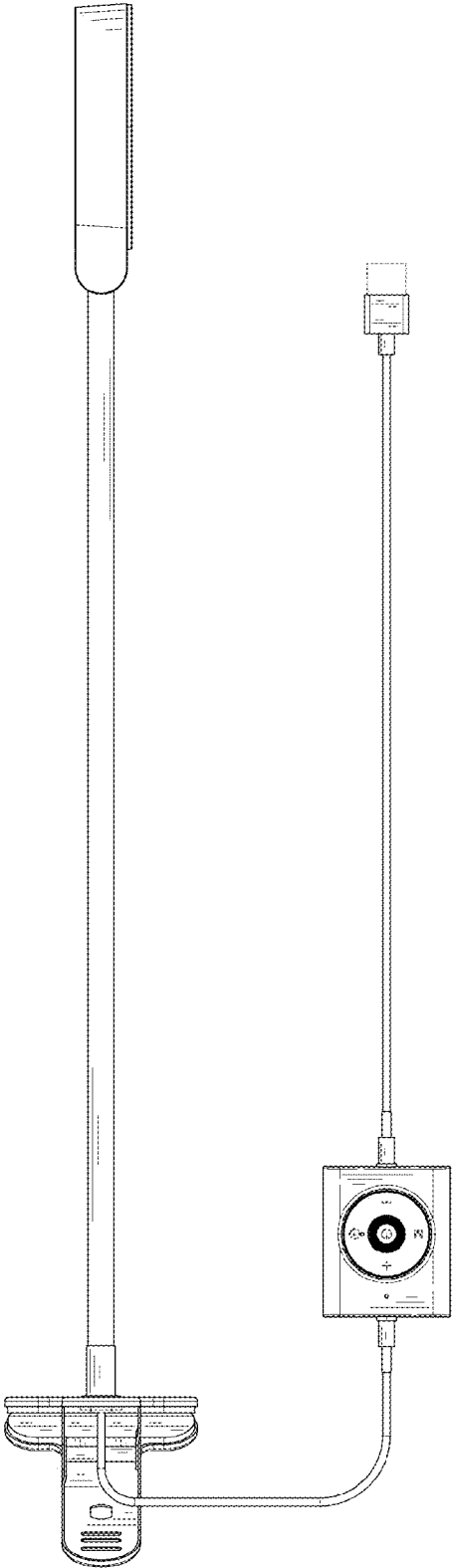
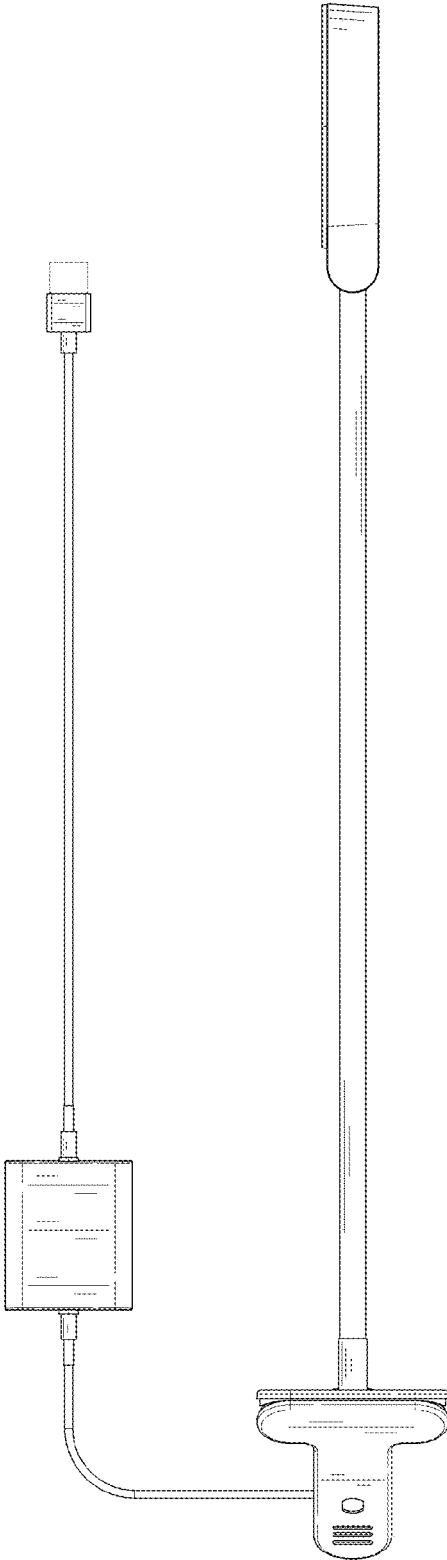
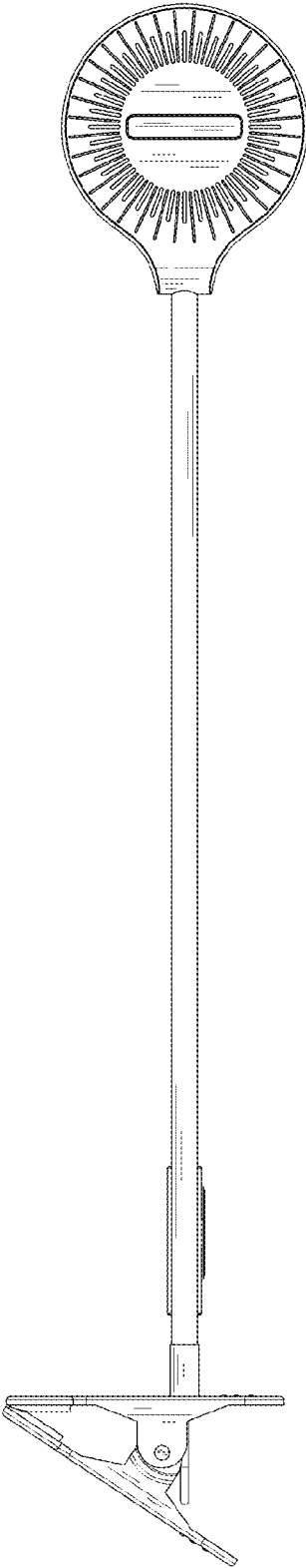


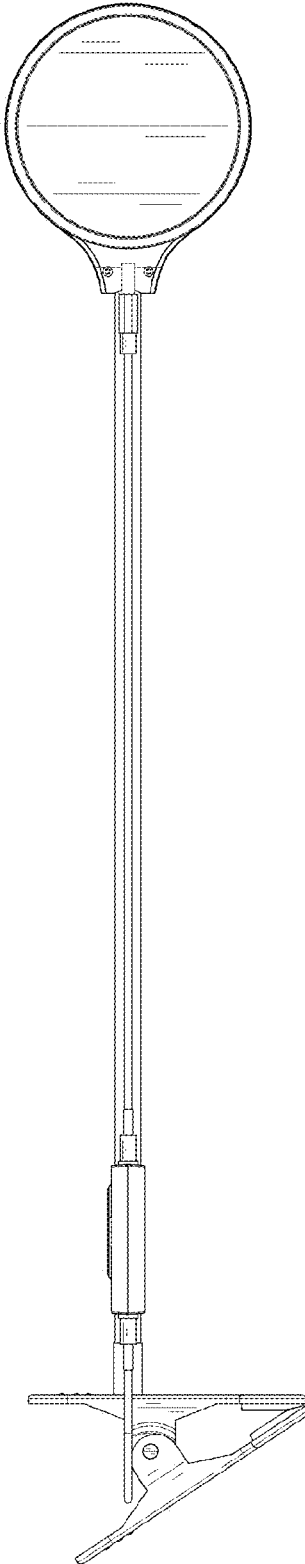
FIG. 3



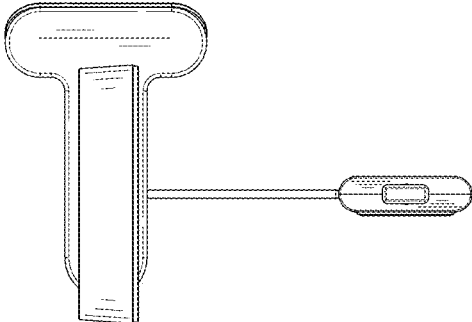
**FIG. 4**



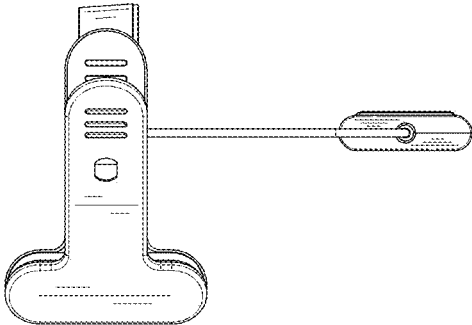
**FIG. 5**



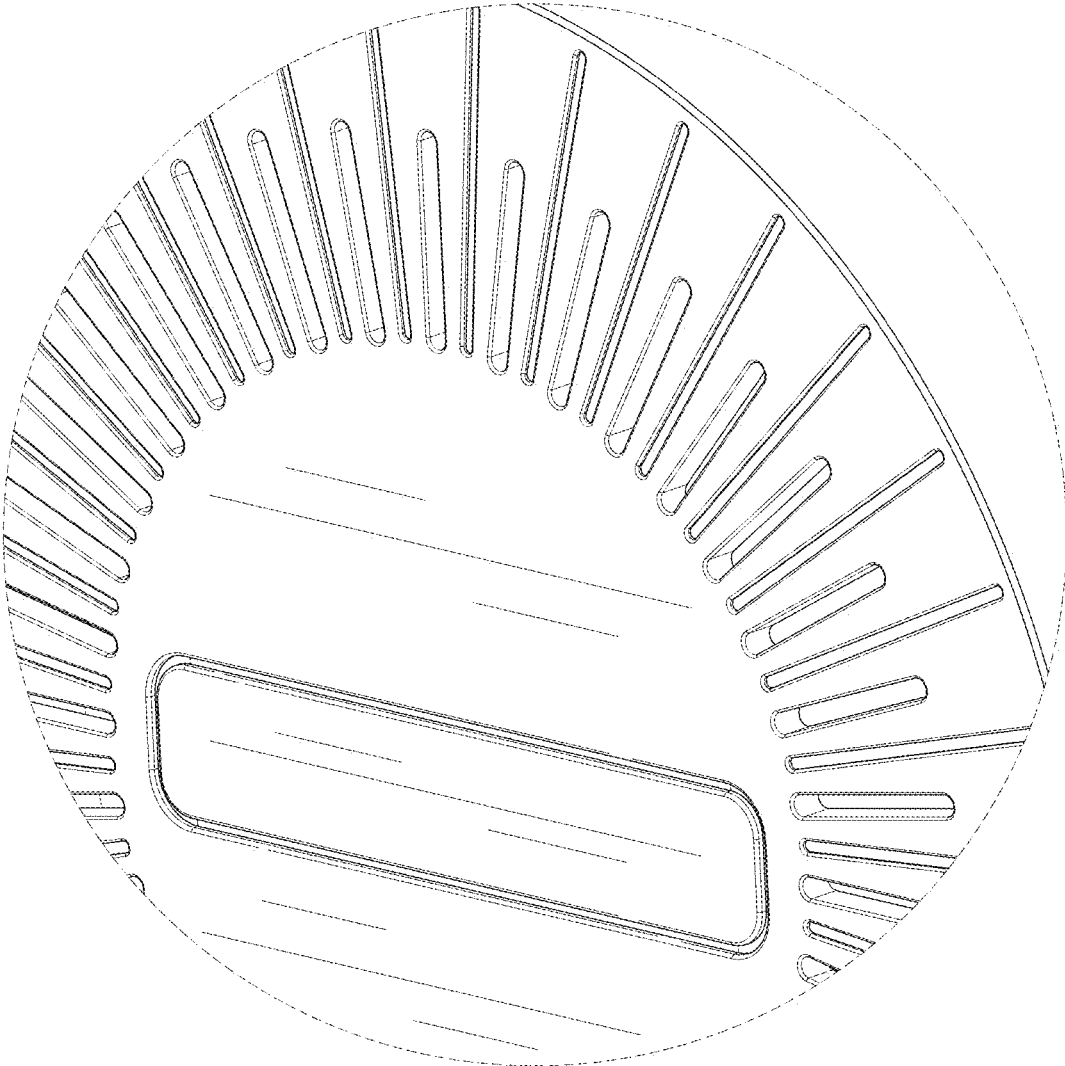
**FIG. 6**



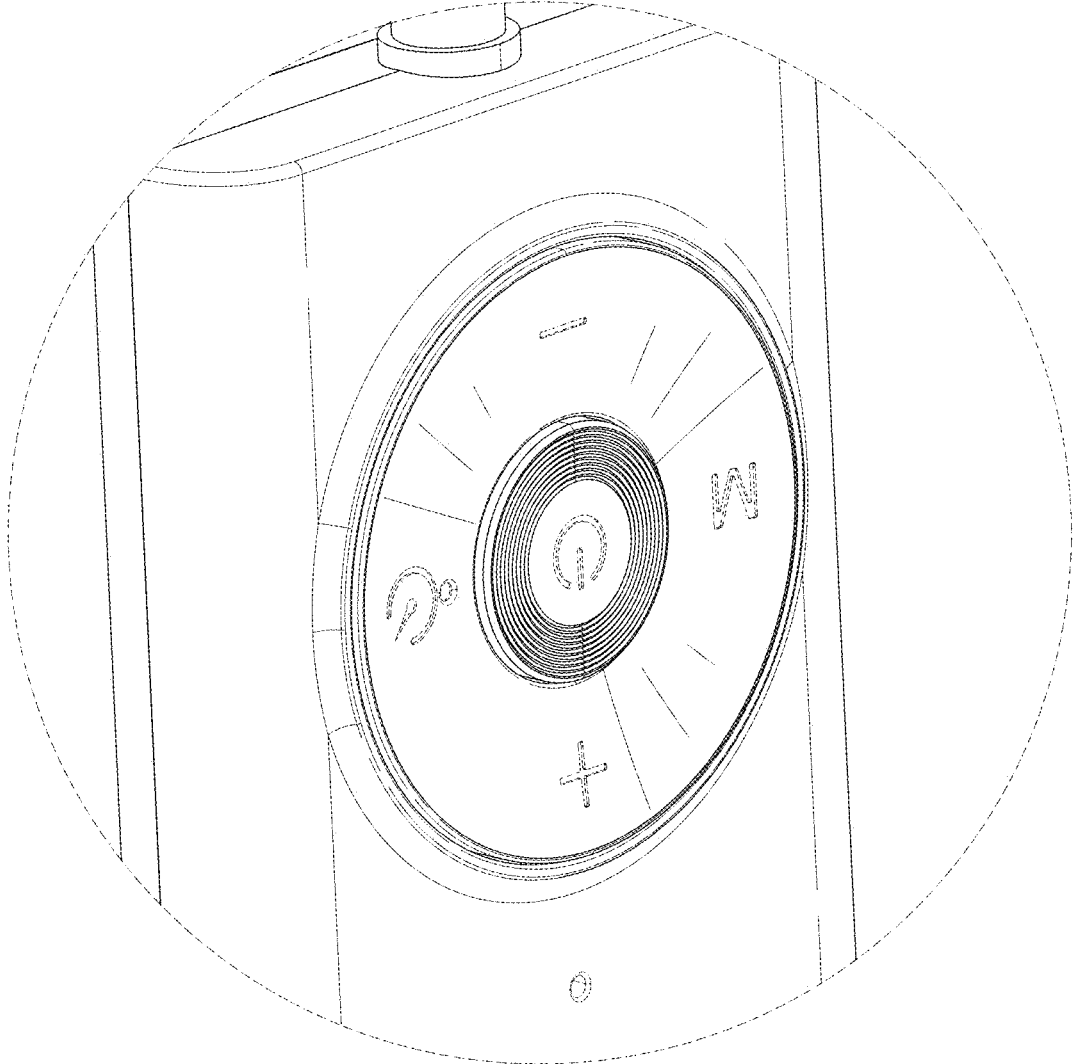
*FIG. 7*



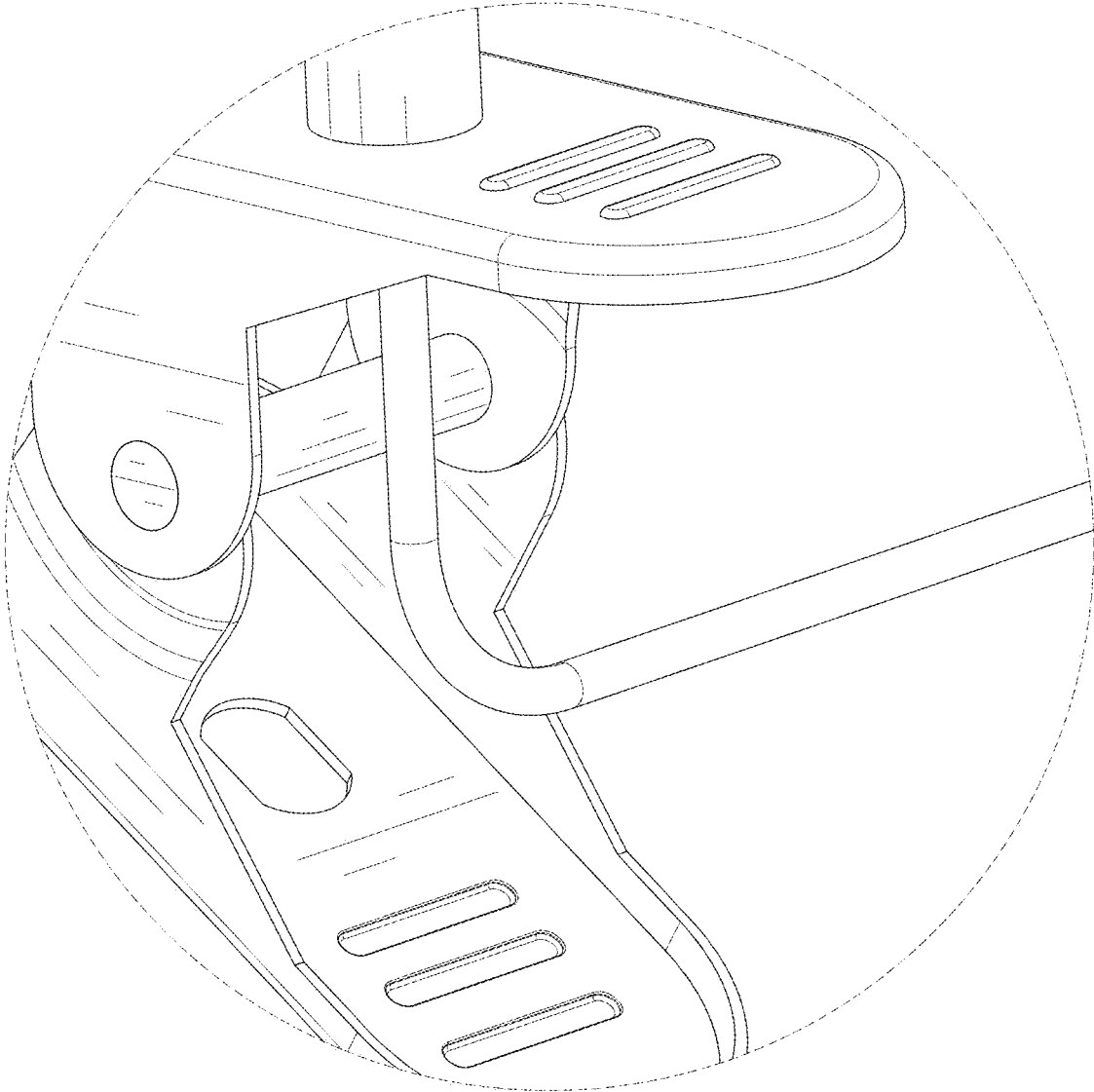
*FIG. 8*



**FIG. 9**



**FIG. 10**



**FIG. 11**