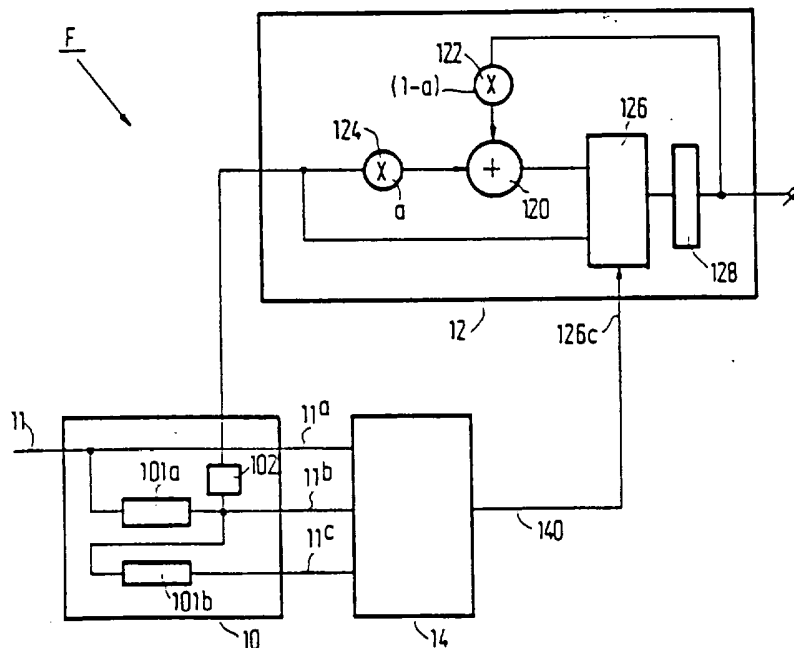




## INTERNATIONAL APPLICATION PUBLISHED UNDER THE PATENT COOPERATION TREATY (PCT)

<p>(51) International Patent Classification <sup>6</sup> : H04N 5/21, G06F 5/50, 5/00</p>	A3	<p>(11) International Publication Number: <b>WO 95/17792</b></p> <p>(43) International Publication Date: 29 June 1995 (29.06.95)</p>
<p>(21) International Application Number: PCT/IB94/00425</p> <p>(22) International Filing Date: 15 December 1994 (15.12.94)</p> <p>(30) Priority Data: 93203568.6 17 December 1993 (17.12.93) EP</p> <p>(34) Countries for which the regional or international application was filed: AT et al.</p> <p>(71) Applicant: PHILIPS ELECTRONICS N.V. [NL/NL]; Groenewoudseweg 1, NL-5621 BA Eindhoven (NL).</p> <p>(71) Applicant (for SE only): PHILIPS NORDEN AB [SE/SE]; Kottbygatan 7, Kista, S-164 85 Stockholm (SE).</p> <p>(72) Inventors: BERNSEN, Johannes, Arnoldus, Cornelis; Groenewoudseweg 1, NL-5621 BA Eindhoven (NL). KASHIOKA, Seiji; 510 N. Camden Drive, Beverly Hills, CA 90210 (US).</p> <p>(74) Agent: DE HAAS, Laurens, Johan; International Octrooibureau B.V., P.O. Box 220, NL-5600 AE Eindhoven (NL).</p>		<p>(81) Designated States: JP, European patent (AT, BE, CH, DE, DK, ES, FR, GB, GR, IE, IT, LU, MC, NL, PT, SE).</p> <p>Published With international search report. Before the expiration of the time limit for amending the claims and to be republished in the event of the receipt of amendments.</p> <p>(88) Date of publication of the international search report: 24 August 1995 (24.08.95)</p>

(54) Title: FILTER DEVICE COMPRISING A RECURSIVE FILTER UNIT, METHOD OF FILTERING, AND TRANSMISSION SYSTEM COMPRISING SUCH A FILTER DEVICE



## (57) Abstract

During filtering of an image comprising different regions, the operation of a filter unit is adapted in response to the detection of a boundary between these regions. To this end, one or more intermediate signal values stored in the filter unit for recursive use and derived from signal values from a first region are replaced before any signal value from the second region is filtered. The intermediate signal values are replaced by one or more signal values from the second region or by filtered signal values derived from the signal values from the second

*FOR THE PURPOSES OF INFORMATION ONLY*

Codes used to identify States party to the PCT on the front pages of pamphlets publishing international applications under the PCT.

AT	Austria	GB	United Kingdom	MR	Mauritania
AU	Australia	GE	Georgia	MW	Malawi
BB	Barbados	GN	Guinea	NE	Niger
BE	Belgium	GR	Greece	NL	Netherlands
BF	Burkina Faso	HU	Hungary	NO	Norway
BG	Bulgaria	IE	Ireland	NZ	New Zealand
BJ	Benin	IT	Italy	PL	Poland
BR	Brazil	JP	Japan	PT	Portugal
BY	Belarus	KE	Kenya	RO	Romania
CA	Canada	KG	Kyrgystan	RU	Russian Federation
CF	Central African Republic	KP	Democratic People's Republic of Korea	SD	Sudan
CG	Congo	KR	Republic of Korea	SE	Sweden
CH	Switzerland	KZ	Kazakhstan	SI	Slovenia
CI	Côte d'Ivoire	LI	Liechtenstein	SK	Slovakia
CM	Cameroon	LK	Sri Lanka	SN	Senegal
CN	China	LU	Luxembourg	TD	Chad
CS	Czechoslovakia	LV	Latvia	TG	Togo
CZ	Czech Republic	MC	Monaco	TJ	Tajikistan
DE	Germany	MD	Republic of Moldova	TT	Trinidad and Tobago
DK	Denmark	MG	Madagascar	UA	Ukraine
ES	Spain	ML	Mali	US	United States of America
FI	Finland	MN	Mongolia	UZ	Uzbekistan
FR	France			VN	Viet Nam
GA	Gabon				

# INTERNATIONAL SEARCH REPORT

International application No.  
PCT/IB 94/00425

## A. CLASSIFICATION OF SUBJECT MATTER

IPC6: H04N 5/21, G06T 5/50  
According to International Patent Classification (IPC) or to both national classification and IPC

## B. FIELDS SEARCHED

Minimum documentation searched (classification system followed by classification symbols)

IPC6: G06T, H04N

Documentation searched other than minimum documentation to the extent that such documents are included in the fields searched

Electronic data base consulted during the international search (name of data base and, where practicable, search terms used)

PAJ, EPODOC, WPI

## C. DOCUMENTS CONSIDERED TO BE RELEVANT

Category*	Citation of document, with indication, where appropriate, of the relevant passages	Relevant to claim No.
X	US 4064530 A (ARTHUR KAISER ET AL), 20 December 1977 (20.12.77), column 1, line 59 - column 2, line 15; column 8, line 48 - line 58, figure 2, abstract	1-2, 7-9
Y	--	3-6
Y	Patent Abstracts of Japan, Vol 11, No 7, E-469, 9 January 1987 (09.01.87), abstract of JP, A, 61-184059 (NEC HOME ELECTRONICS LTD), 16 August 1986 (16.08.86)	3-6
P, X	EP 0592932 A2 (NOKIA TECHNOLOGY GMBH), 20 April 1994 (20.04.94), abstract	1-2, 4, 6-9
	--	

Further documents are listed in the continuation of Box C.       See patent family annex.

- |   |  |
|---|--|
| <ul style="list-style-type: none"> <li>* Special categories of cited documents</li> <li>"A" document defining the general state of the art which is not considered to be of particular relevance</li> <li>"E" earlier document but published on or after the international filing date</li> <li>"L" document which may throw doubt on priority claim(s) or which is cited to establish the publication date of another citation or other special reason (as specified)</li> <li>"O" document referring to an oral disclosure, etc. exhibition or other means</li> <li>"P" document published prior to the international filing date but later than the priority date claimed</li> </ul> | <ul style="list-style-type: none"> <li>"T" later document published after the international filing date or priority date and not in conflict with the application but cited so understand the principle or theory underlying the invention</li> <li>"X" document of particular relevance: the claimed invention cannot be considered novel or cannot be considered to involve an inventive step when the document is taken alone</li> <li>"Y" document of particular relevance: the claimed invention cannot be considered to involve an inventive step when the document is combined with one or more other such documents, such combination being obvious to a person skilled in the art</li> <li>"&amp;" document member of the same patent family</li> </ul> |
|---|--|

Date of the actual completion of the international search

26 July 1995

Date of mailing of the international search report

28 -07- 1995

Name and mailing address of the ISA/  
Swedish Patent Office

Authorized officer

## INTERNATIONAL SEARCH REPORT

International application No.

PCT/IB 94/00425

## C (Continuation). DOCUMENTS CONSIDERED TO BE RELEVANT

Category*	Citation of document, with indication, where appropriate, of the relevant passages	Relevant to claim No.
A	EP 0314269 A2 (PIONEER ELECTRONIC CORPORATION), 3 May 1989 (03.05.89), figure 1, abstract  -----	1-9

# INTERNATIONAL SEARCH REPORT

Information on patent family members

29/05/95

International application No.

PCT/IB 94/00425

Patent document cited in search report	Publication date	Patent family member(s)	Publication date
US-A- 4064530	20/12/77	CA-A- 1078057 DE-A, C, C 2750173 FR-A, B- 2371108 GB-A- 1534486 JP-C- 1403374 JP-A- 53061226 JP-B- 62003639	20/05/80 18/05/78 09/06/78 06/12/78 09/10/87 01/06/78 26/01/87
EP-A2- 0592932	20/04/94	NONE	
EP-A2- 0314269	03/05/89	DE-D, T- 3851683 JP-A- 1112873 US-A- 4860104	27/04/95 01/05/89 22/08/89