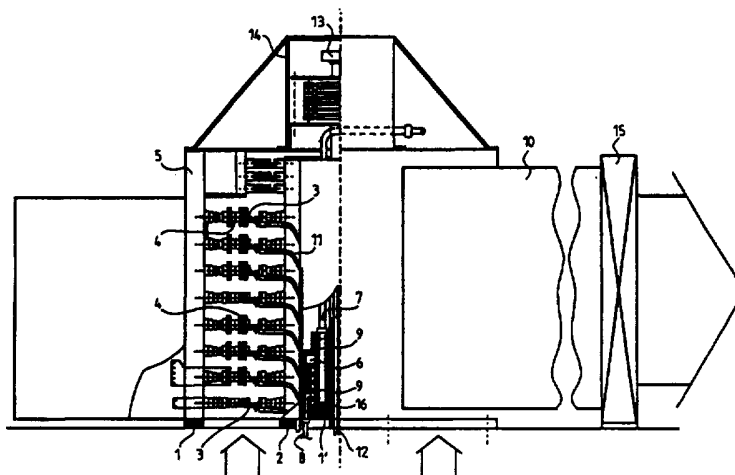




INTERNATIONAL APPLICATION PUBLISHED UNDER THE PATENT COOPERATION TREATY (PCT)

<p>(51) International Patent Classification ⁶ : H01R 39/00, F16L 27/087 // H02K 9/28</p>	A1	<p>(11) International Publication Number: WO 96/14678</p> <p>(43) International Publication Date: 17 May 1996 (17.05.96)</p>
<p>(21) International Application Number: PCT/FI95/00603</p> <p>(22) International Filing Date: 1 November 1995 (01.11.95)</p> <p>(30) Priority Data: 945187 3 November 1994 (03.11.94) FI</p> <p>(71) Applicant (for all designated States except US): ABB INDUSTRY OY [FI/FI]; Strömbergintie 1, FIN-00380 Helsinki (FI).</p> <p>(72) Inventors; and (75) Inventors/Applicants (for US only): LASSILA, Tommi [FI/FI]; Metsätontunkuja 3 A 3, FIN-02200 Espoo (FI). LEPPÄNEN, Timo [FI/FI]; Kääpakatu 9 A 8, FIN-04260 Kerava (FI).</p> <p>(74) Agent: OY KOLSTER AB; Iso Roobertinkatu 23, P.O. Box 148, FIN-00121 Helsinki (FI).</p>		<p>(81) Designated States: AL, AM, AT, AU, BB, BG, BR, BY, CA, CH, CN, CZ, DE, DK, EE, ES, FI, GB, GE, HU, IS, JP, KE, KG, KP, KR, KZ, LK, LR, LS, LT, LU, LV, MD, MG, MK, MN, MW, MX, NO, NZ, PL, PT, RO, RU, SD, SE, SG, SI, SK, TJ, TM, TT, UA, UG, US, UZ, VN, European patent (AT, BE, CH, DE, DK, ES, FR, GB, GR, IE, IT, LU, MC, NL, PT, SE), OAPI patent (BF, BJ, CF, CG, CI, CM, GA, GN, ML, MR, NE, SN, TD, TG), ARIPO patent (KE, LS, MW, SD, SZ, UG).</p> <p>Published <i>With international search report. Before the expiration of the time limit for amending the claims and to be republished in the event of the receipt of amendments.</i></p>

(54) Title: SLIP-RING ARRANGEMENT WITH INTEGRATED ROTARY SWIVEL JOINT FOR LIQUIDS



(57) Abstract

The invention relates to an arrangement for the transfer of electric current, a liquid medium and a gaseous medium between a section (1, 1') in a fixed position and a section (2) rotating in relation thereto, the arrangement for the transfer of electric current comprising sliding surfaces (3) and sliding brushes (4) arranged to press against the sliding surfaces (3), and a protective casing (5) surrounding them, the arrangement for the transfer of a liquid medium comprising passages (6) parallel with the rotation and arranged at the boundary surface between the fixed section (1') and the rotating section (2), with which passage transfer pipes (8) in both sections communicate, and the arrangement for the transfer of a gaseous medium comprising a collector chamber arranged in the fixed section (1) and an outlet pipe (10) connected to said chamber for leading the gaseous medium out of the tubular rotating section (2). In order to minimize the total length of the arrangement, the arrangement for the transfer of a liquid medium is coaxially arranged inside the arrangement for the transfer of electric current and the protective casing (5) of the arrangement for the transfer of electric current provides a collector chamber for the gaseous medium.

FOR THE PURPOSES OF INFORMATION ONLY

Codes used to identify States party to the PCT on the front pages of pamphlets publishing international applications under the PCT.

AT	Austria	GB	United Kingdom	MR	Mauritania
AU	Australia	GE	Georgia	MW	Malawi
BB	Barbados	GN	Guinea	NE	Niger
BE	Belgium	GR	Greece	NL	Netherlands
BF	Burkina Faso	HU	Hungary	NO	Norway
BG	Bulgaria	IE	Ireland	NZ	New Zealand
BJ	Benin	IT	Italy	PL	Poland
BR	Brazil	JP	Japan	PT	Portugal
BY	Belarus	KE	Kenya	RO	Romania
CA	Canada	KG	Kyrgyzstan	RU	Russian Federation
CF	Central African Republic	KP	Democratic People's Republic of Korea	SD	Sudan
CG	Congo	KR	Republic of Korea	SE	Sweden
CH	Switzerland	KZ	Kazakhstan	SI	Slovenia
CI	Côte d'Ivoire	LI	Liechtenstein	SK	Slovakia
CM	Cameroon	LU	Luxembourg	SN	Senegal
CN	China	LV	Latvia	TD	Chad
CS	Czechoslovakia	LU	Luxembourg	TG	Togo
CZ	Czech Republic	LV	Latvia	TJ	Tajikistan
DE	Germany	MC	Monaco	TT	Trinidad and Tobago
DK	Denmark	MD	Republic of Moldova	UA	Ukraine
ES	Spain	MG	Madagascar	US	United States of America
FI	Finland	ML	Mali	UZ	Uzbekistan
FR	France	MN	Mongolia	VN	Viet Nam
GA	Gabon				

Slip-ring arrangement with integrated rotary swivel joint for liquids.

5 This invention relates to an arrangement for the transfer of electric current, a liquid medium and a gaseous medium between a section in a fixed position and a section rotating in relation thereto, i.e. a sort of a slip-ring arrangement, the arrangement for the transfer of electric current comprising sliding surfaces supported by the rotating section and sliding brushes supported by the fixed section and arranged to press against the sliding surfaces, and a protective casing surrounding them, the arrangement for the transfer of a liquid medium comprising for each medium circuit a passage parallel with the rotation and arranged at the boundary surface between the fixed section and the rotating section, with which passage transfer pipes in both sections communicate and which is sealed in the axial direction of the rotating section with seals arranged on both sides of the passage, and the arrangement for the transfer of a gaseous medium comprising a collector chamber arranged in the fixed section and at least one outlet pipe connected to said chamber for leading the gaseous medium out of the rotating section, which has been given a tubular form.

25 An arrangement described above may have to be utilized for instance when different kind of equipment is hung on a rotating, vertical tubular shaft via which electric current, lubricating oil, cooling air etc. has to be fed to said equipment. Such a situation may arise e.g. in connection with a propeller drive arrangement described in Canadian Patent 1,311,657. In this arrangement the motor of a ship is arranged in a cylindrical chamber, which is secured pivotably to the body of the ship by means of a tubular shaft. Electric current to the electric motor arranged in said chamber is

35

fed via said tubular shaft. Likewise necessary hydraulic fluids, lubricating oils and possible other liquids, such as bilge water, also have to be fed via said rotating tubular shaft. In addition, the motor may have to be cooled with coolant air, also via said tubular shaft.

If it is desired to construct the tubular shaft freely rotating or at least to allow the tubular shaft a relatively wide range of rotation, the different feeding arrangements needed have to be constructed by means of the arrangements described in the preamble. A problem in that case is the large space required by the different feeding arrangements in the axial direction of the tubular shaft. Such a considerable length is problematic for two reasons. Firstly, the space available inside the body of a ship is limited and the length of the necessary arrangements should thus be as small as possible. Secondly, the considerable length of the arrangements above the supporting point of the tubular shaft causes to the tubular shaft itself torsional forces that are difficult to control. For instance the slip-rings and the cabling necessary for the feeding arrangements for electricity easily weigh several hundreds of kilos when the power required by the motor is of the order of megawatts.

It is the object of the present invention to provide an arrangement for transmitting electric current, a liquid medium and a gaseous medium between a section fixed in its position and a section rotating in relation thereto so that the space occupied by this arrangement may be minimized especially in the axial direction of the rotating section. This is achieved with the arrangement of the invention, which is characterized in that the arrangement for the transfer of a liquid medium is coaxially arranged inside the arrange-

ment for the transfer of electric current and that the protective casing of the arrangement for the transfer of electric current is essentially gas tight and provides a collector chamber for the gaseous medium.

5 In the arrangement of the invention electric current, a liquid medium and a gaseous medium may thus be transmitted via a space the axially required space of which corresponds in practice with the space required by the arrangement for the transfer of electric
10 current.

 The cross section of the protective casing of the arrangement for the transfer of electric current is preferably a polygon and an outlet pipe for the gaseous medium is arranged to replace one or more sides of the
15 protective casing. By means of this procedure the direction of the exhaust air pipe may easily be chosen appropriate and on the other hand the volume flow needed may easily be achieved by taking into use an adequate number of the sides of the protective casing.

20 If the angle of rotation of the rotating section is not limited, both the sliding surfaces of the arrangement for the transfer of electric current and the passages of the arrangement for the transfer of a liquid medium, arranged in the rotating direction, are
25 annular. By means of such sliding rings and, on the other hand, annular passages the rotation may be completely free and an alternating motion is not even necessary for the extreme positions to be reached.

 On the other hand, the total length of the arrangement of the invention may be further shortened if
30 the angle of rotation of the rotating section is limited between $\pm 90^\circ$ or less. If in fact in this case the sliding surfaces of the arrangement for the transfer of electric current are arranged in the shape of a semi-
35 circle or possibly even shorter sectors, two or even

more transfer connections may be placed in the same height position. Naturally, the same procedure may also be applied to the arrangement for the transfer of a liquid medium, but the need for this is practically quite small because of the narrowness of the passages of the liquid medium. In addition, the passages of the arrangement for the transfer of a liquid medium would have to be processed by milling instead of using lathe work, which would complicate production.

Furthermore, it is preferable that, in addition to the passages connected to the medium circuits, the arrangement for the transfer of a liquid medium comprises a passage arranged below these passages and provided with a transfer tube on the side of the fixed section only for use in detecting possible leakages in the passages connected to the medium circuits. By means of such an extra passage, possible leaks in the medium circuits are easily detected and, at least equally importantly, media are prevented from leaking inside the tubular shaft.

In the following the arrangement of the invention will be described in greater detail with reference to the accompanying drawing, in which

Figure 1 is a side view and a partial section of the arrangement of the invention and

Figure 2 is a top view and a partial section of the arrangement according to Figure 1.

Figure 1 is a side view and a partial section of the arrangement of the invention. Reference numeral 1 denotes a section in a fixed position of the arrangement. Reference numeral 2 denotes a section rotating relative to the fixed section 1, the former being thus connected to e.g. the tubular shaft of the propeller drive arrangement described in Canadian Patent 1,311,657.

In the arrangement according to Figures 1 and 2, the arrangement for the transfer of electric current comprises sliding brushes 4 connected to the fixed section 1, via which brushes electric current can be fed into the rotating section. As is evident from Figure 1, the sliding brushes 4 are arranged at a plurality of different levels, in order that the necessary electric current can be fed into the electric devices arranged in the rotating section. The arrangement described in Figure 1 may be applied to feeding an electric motor equipped with two triphase stator windings. Slip-rings 3 whereto appropriate transfer cables 11 are connected are connected to the arrangement for feeding electric current to the rotating section 2. In practice the space in the vertical axial direction needed by the arrangement for feeding electric current is relatively large as the slip-rings have to be placed at a relatively long distance from one another to avoid spark-over.

In the arrangement of Figures 1 and 2 the rotating section is realized freely rotating, and thus the slip-rings 3 are completely annular. If the angle of rotation is limited e.g. to the value $\pm 80^\circ$, one slip-ring could be divided into two sectors of at most 180° and thus two electric feeding connections could be constructed at the same level.

The arrangement for the transfer of a liquid medium, which forms one part of the arrangement of the invention, comprises, per each medium circuit, an annular passage 6, arranged in the direction of the rotation at the boundary surface between a fixed section 1' and the rotating section 2, with which passage transfer pipes, arranged in the axial direction of the rotating section in both sections 1' and 2, communicate. The transfer pipe connected to the rotating section 2 is

denoted by reference numeral 8. A transfer pipe connected to the fixed section 1' and functioning as a part of one of the medium circuits is not shown in the Figure, but such a pipe would correspond to a transfer tube 7 shown in the Figure, the purpose of which will be described below. The annular passages 6 are sealed with seals 9, arranged in the axial direction of the rotating section on both sides of the passage. In the relation described above, the arrangement for the transfer of a liquid medium, such as water and oil, is conventional per se. In accordance with the invention the procedure differs from the conventional in that the arrangement for the transfer of a liquid medium is coaxially arranged inside the arrangement for the transfer of electrical current. In this way the space required by them in the axial direction corresponds in practice to the axial length of the arrangement for the transfer of electric current.

The arrangement for the transfer of a liquid medium comprises, in addition to the passages 6 connected to the medium circuits, a passage 16, arranged below these passages and equipped with a transfer pipe 7 only on the side of the fixed section 1', for use in detecting possible leakages in the passages 6 connected to the medium circuits. As the passage 16 is located below the other passages 6 and as it is not under pressure unlike the other passages 6, possible liquid leaking from the other passages 6 is gathered into the passage 16. This prevents the liquids from leaking downward and also their access into free air space, where they could vaporize. As stated above and as can be seen in Figure 1, the transfer pipe 7 connected to the passage 16 rises upward above the arrangement for the transfer of a liquid medium. As the liquids in the passages 6 are under pressure, the level of the liquid in

the pipe 7 rises under the influence of this pressure, and may easily be detected by means of a suitable probe.

As is evident from Figure 1, the transfer pipe 8 for the liquid medium is connected to the rotating section whereas the transfer pipe 7 is connected to the fixed section 1', the latter forming thus in practice an annular fixed section between two rotating sections. This is based on the fact that a shaft 12, rotating with the rotating section 2, is arranged at the axial middle line of the arrangement, inside of which shaft are arranged optical and electrical cables. These optical cables transmit especially different measuring information from the equipment arranged in the rotating section. The messages received in the fixed section from these optical cables are transferred by a separate optical slip-ring package 13, arranged in a space 14 above a protective casing 5 designed for the arrangement for the transfer of electric current. As regards this optical transfer arrangement the arrangement shown in Figure 1 does not differ from the conventional.

As has become evident above, the equipment inside the tubular shaft and the cylindrical equipment space connected thereto have to be cooled with coolant air. This coolant air is fed into the equipment via separate passages, situated at different levels, in practice lower than the arrangements described in Figures 1 and 2, and they have not been shown in the Figures for clarity. These passages are conventional per se. Removal of the gaseous medium, i.e. in practice most often the coolant air, is, however, realized differently from the conventional in the arrangement of the invention. In this arrangement the protective casing 5, arranged around the feeding arrangement for electric current, is utilized. As is evident especially

from Figure 2, the cross section of the protective casing 5 is arranged in the shape of a polygon. Additionally, the protective casing is gas tight to a degree that it may be used as a collector chamber for the coolant air to be removed. Thus the hot air discharged from the tubular shaft may be led to an outlet passage replacing one of the side walls of the protective casing 5. This outlet passage is denoted by the reference numeral 10 in Figure 1. In Figure 1 a heat exchanger 15 has been additionally connected to the outlet passage, from which heat exchanger the coolant air is thus removed relatively cool. By the use of a protective casing, which is in any case needed in connection with the arrangement for feeding electric current, as a collector chamber, the structure of the equipment may be essentially simplified and its total length may be essentially shortened in the axial direction of the rotating section.

The arrangement of the invention has been explained in the above only in principle and by way of one exemplifying embodiment. It is thus evident that the arrangement of the invention may be realized by means of mechanical structures that differ considerably from the ones described, without, however, departing from the protective scope of the appended claims. The idea of the invention is to decrease the axial length needed by different feeding arrangements by realizing the collection of the coolant air to be removed by means of a protective casing of the feeding arrangement for electric current and additionally by placing the feeding arrangement for the liquid medium coaxially inside the feeding arrangement for electric current.

Claims

1. Arrangement for the transfer of electric
current, a liquid medium and a gaseous medium between
5 a section (1, 1') in a fixed position and a section (2)
rotating in relation thereto, the arrangement for the
transfer of electric current comprising sliding
surfaces (3) supported by the rotating section (2) and
sliding brushes (4) supported by the fixed section (1)
10 and arranged to press against the sliding surfaces (3),
and a protective casing (5) surrounding them, the
arrangement for the transfer of a liquid medium
comprising for each medium circuit a passage (6)
parallel with the rotation and arranged at the boundary
15 surface between the fixed section (1') and the rotating
section (2), with which passage transfer pipes (8) in
both sections communicate and which is sealed in the
axial direction of the rotating section with seals (9)
arranged on both sides of the passage, and the arrange-
20 ment for the transfer of a gaseous medium comprising a
collector chamber arranged in the fixed section (1) and
at least one outlet pipe (10) connected to said chamber
for leading the gaseous medium out of the rotating sec-
tion (2), which has been given a tubular form,
25 c h a r a c t e r i z e d in that the arrangement for
the transfer of a liquid medium is coaxially arranged
inside the arrangement for the transfer of electric
current and that the protective casing (5) of the
arrangement for the transfer of electric current pro-
30 vides a collector chamber for the gaseous medium.

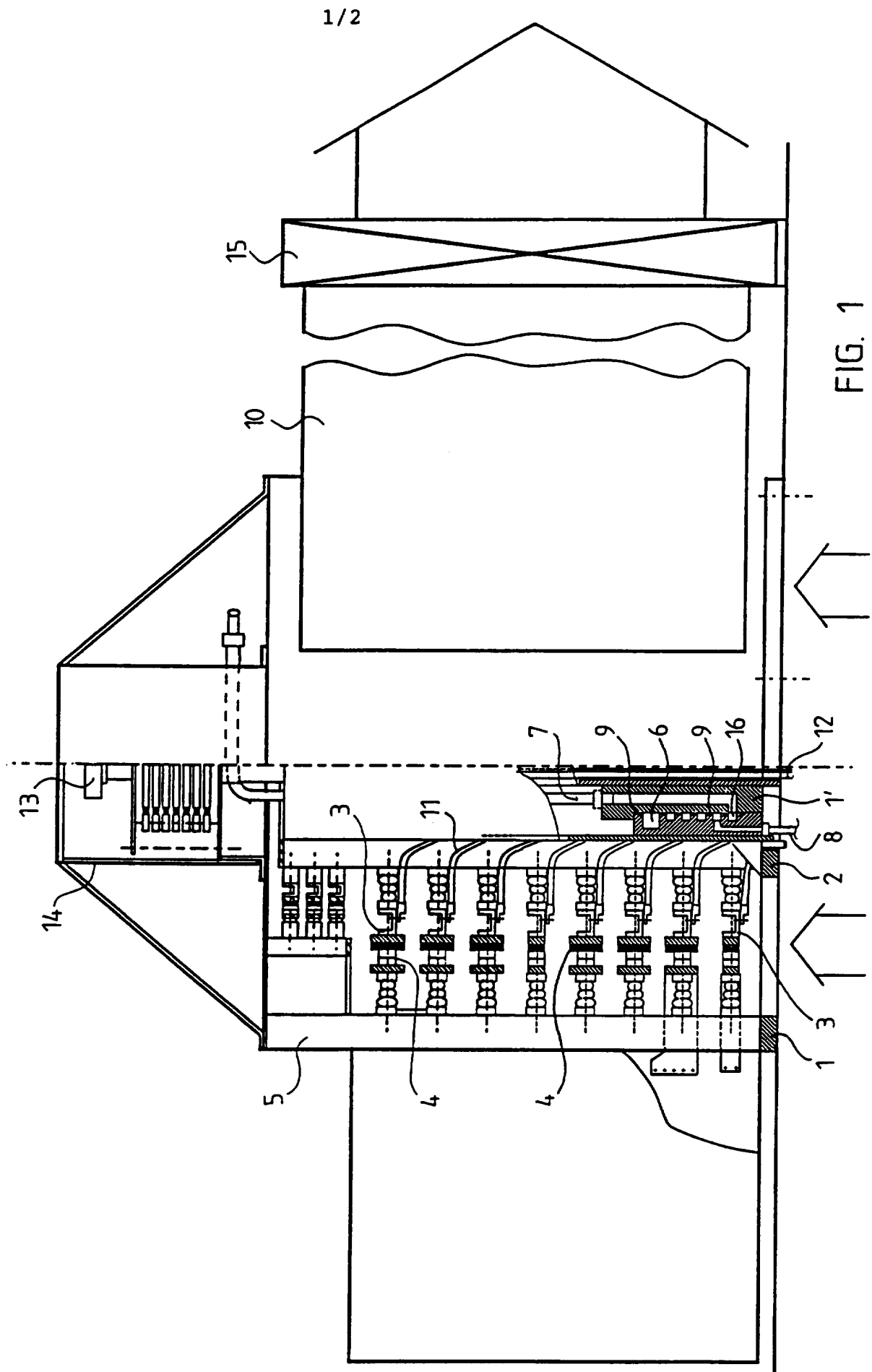
2. Arrangement as claimed in claim 1,
c h a r a c t e r i z e d in that the cross section of
the protective casing (5) of the arrangement for the
transfer of electric current is a polygon and that
35 said, at least one outlet pipe (10) for the gaseous

medium is arranged to replace one or more sides of the protective casing.

5 3. Arrangement as claimed in claim 1 or 2, wherein the angle of rotation of the rotating section (2) is not limited, c h a r a c t e r i z e d in that both the sliding surfaces (3) of the arrangement for the transfer of electric current and the passages (6) of the arrangement for the transfer of a liquid medium, arranged in the rotating direction, are annular.

10 4. Arrangement as claimed in claim 1 or 2, wherein the angle of rotation of the rotating section is at most $\pm 80^\circ$, c h a r a c t e r i z e d in that the sliding surfaces of the arrangement for the transfer of electric current cover a sector of at most
15 180° of the periphery of the rotating section.

 5. Arrangement as claimed any one of the preceding claims, c h a r a c t e r i z e d in that the arrangement for the transfer of a liquid medium comprises, in addition to the passages (6) connected to
20 the medium circuits, a passage (16), arranged below these passages and equipped with a transfer pipe (7) only on the side of the fixed section (1'), for use in detecting possible leakages in the passages (6) connected to the medium circuits.



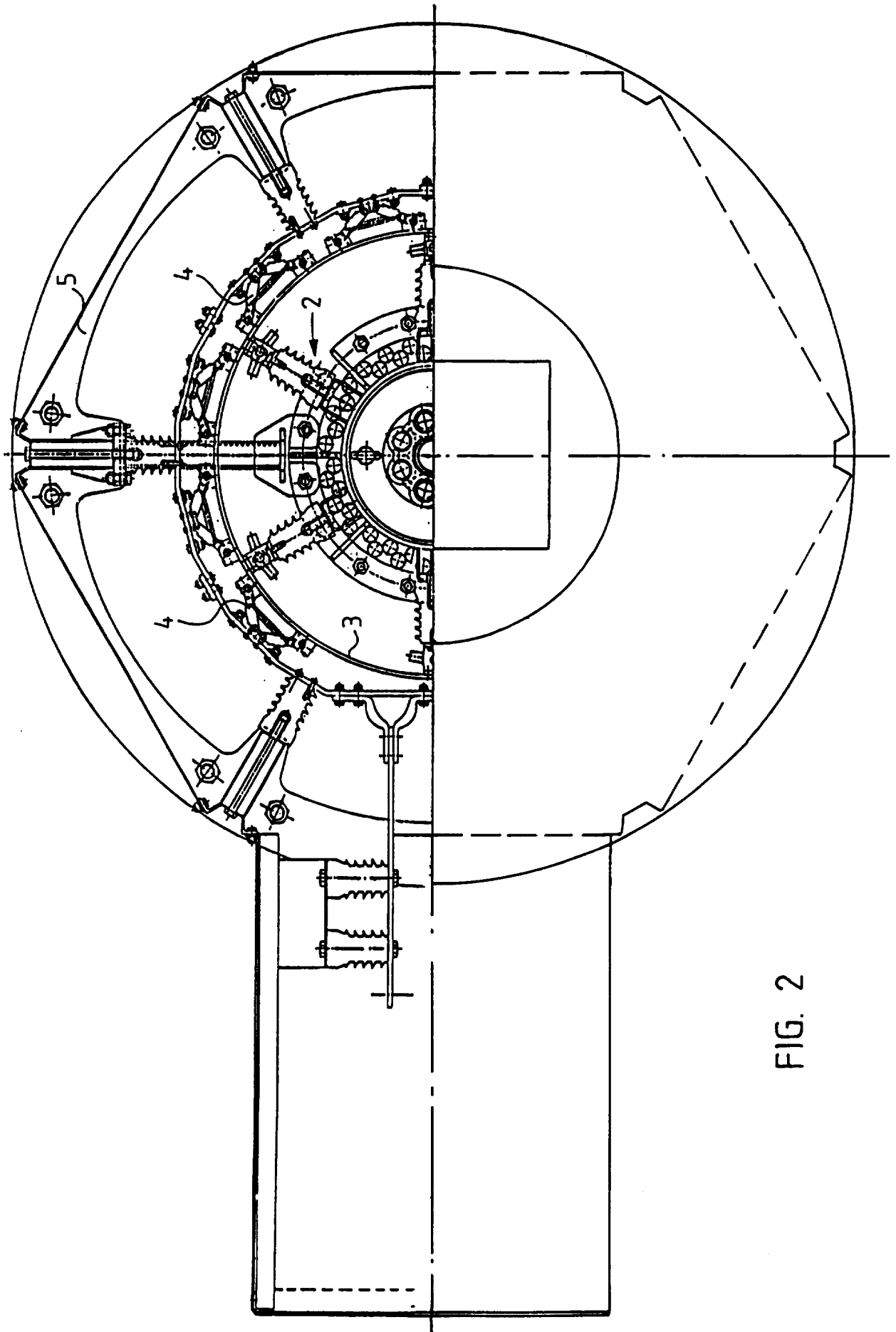


FIG. 2

INTERNATIONAL SEARCH REPORT

International application No.
PCT/FI 95/00603

A. CLASSIFICATION OF SUBJECT MATTER

IPC6: H01R 39/00, F16L 27/087 // H02K 9/28
According to International Patent Classification (IPC) or to both national classification and IPC

B. FIELDS SEARCHED

Minimum documentation searched (classification system followed by classification symbols)

IPC6: H01R, H02K, F16L

Documentation searched other than minimum documentation to the extent that such documents are included in the fields searched

SE,DK,FI,NO classes as above

Electronic data base consulted during the international search (name of data base and, where practicable, search terms used)

CLAIMS, WPI

C. DOCUMENTS CONSIDERED TO BE RELEVANT

Category*	Citation of document, with indication, where appropriate, of the relevant passages	Relevant to claim No.
A	CA 1311657 C (ABB STRÖMBERG DRIVES OY), 22 December 1992 (22.12.92), figure 1 --	1
A	US 3851663 A (NEUKO), 3 December 1974 (03.12.74), figure 2, abstract --	1,3-4
A	WO 7900144 A1 (INGENJÖRSFIRMA K. ANDERSSON ET AL), 22 March 1979 (22.03.79), figure 1, abstract --	1,3,4
A	US 4177869 A (CRABIEL), 11 December 1979 (11.12.79), figure 3A, abstract -- -----	1,3,4

Further documents are listed in the continuation of Box C.

See patent family annex.

* Special categories of cited documents:

- "A" document defining the general state of the art which is not considered to be of particular relevance
 "E" earlier document but published on or after the international filing date
 "L" document which may throw doubts on priority claim(s) or which is cited to establish the publication date of another citation or other special reason (as specified)
 "O" document referring to an oral disclosure, use, exhibition or other means
 "P" document published prior to the international filing date but later than the priority date claimed

"T" later document published after the international filing date or priority date and not in conflict with the application but cited to understand the principle or theory underlying the invention

"X" document of particular relevance: the claimed invention cannot be considered novel or cannot be considered to involve an inventive step when the document is taken alone

"Y" document of particular relevance: the claimed invention cannot be considered to involve an inventive step when the document is combined with one or more other such documents, such combination being obvious to a person skilled in the art

"&" document member of the same patent family

Date of the actual completion of the international search

1 March 1996

Date of mailing of the international search report

15 March 1996

Name and mailing address of the ISA/
Swedish Patent Office
Box 5055, S-102 42 STOCKHOLM
Facsimile No. +46 8 666 02 86

Authorized officer

Erik Torle
Telephone No. +46 8 782 25 00

INTERNATIONAL SEARCH REPORT
Information on patent family members

05/02/96

International application No.
PCT/FI 95/00603

Patent document cited in search report	Publication date	Patent family member(s)	Publication date
CA-C- 1311657	22/12/92	NONE	
US-A- 3851663	03/12/74	NONE	
WO-A1- 7900144	22/03/79	EP-A- 0006909 SE-B,C- 407998 SE-A- 7710282	23/01/80 30/04/79 15/03/77
US-A- 4177869	11/12/79	AU-A- 4552579 BE-A,A- 875745 DE-A- 2915844 FR-A- 2423692 GB-A- 2019518 JP-A- 54142733	25/10/79 16/08/79 08/11/79 16/11/79 31/10/79 07/11/79