



(12) **United States Design Patent**
O'Neal et al.

(10) **Patent No.:** **US D817,682 S**
(45) **Date of Patent:** **** May 15, 2018**

(54) **FOOT END SIDERAIL**

FOREIGN PATENT DOCUMENTS

(71) Applicant: **Hill-Rom Services, Inc.**, Batesville, IN (US)

WO WO 2006/058506 A1 6/2006

(72) Inventors: **Todd P. O'Neal**, Fairfield, OH (US);
Robert A. Bossingham, Rushville, IN (US)

OTHER PUBLICATIONS

<http://www.arjohuntleigh.com/int/Product.asp?PageNumber=2571&ProductCategory.sub.--Id=128&Product.sub.--Id=202>,
ArjoHuntleigh, Enterprise 8000 Hospital Bed, Date: No later than Apr. 28, 2009.

(73) Assignee: **Hill-Rom Services, Inc.**, Batesville, IN (US)

(Continued)

(**) Term: **15 Years**

Primary Examiner — Cathron C Brooks

(21) Appl. No.: **29/577,250**

(74) *Attorney, Agent, or Firm* — Barnes & Thornburg LLP

(22) Filed: **Sep. 12, 2016**

Related U.S. Application Data

(57) **CLAIM**

(63) Continuation of application No. 29/499,165, filed on Aug. 12, 2014, now Pat. No. Des. 768,422.

The ornamental design for a foot end siderail, as shown and described.

(51) **LOC (11) Cl.** **06-06**

(52) **U.S. Cl.**
USPC **D6/718.3**

DESCRIPTION

(58) **Field of Classification Search**
USPC D6/390, 391, 392, 718.3
CPC A61G 7/00; A61G 7/005; A61G 7/015;
A61G 7/0506; A61G 7/0507; A61G 7/0513
See application file for complete search history.

FIG. 1 is a top front perspective view of a foot end siderail showing our new design;
FIG. 2 is a front elevation view of the foot end siderail of FIG. 1;
FIG. 3 is a rear elevation view of the foot end siderail of FIG. 1;
FIG. 4 is an end elevation view of a first end of the foot end siderail of FIG. 1;
FIG. 5 is an end elevation view of a second end of the foot end siderail of FIG. 1;
FIG. 6 is a top plan view of the foot end siderail of FIG. 1;
FIG. 7 is a bottom plan view of the foot end siderail of FIG. 1; and,
FIG. 8 is a top rear perspective view of the foot end siderail of FIG. 1.
The broken lines shown in the figures depict portions that form no part of the claimed design.

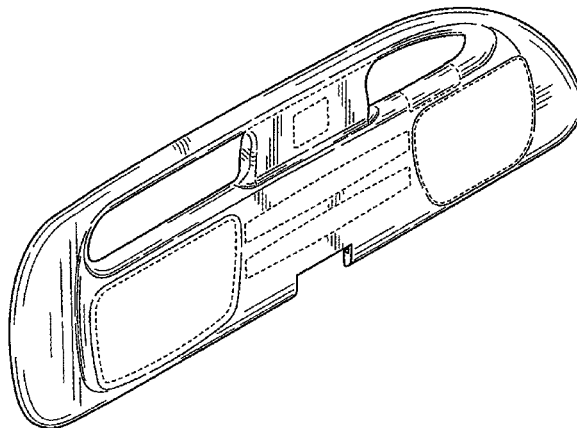
(56) **References Cited**

U.S. PATENT DOCUMENTS

| | | |
|-------------|---------|----------------|
| 421,656 A | 2/1890 | Blanken |
| 1,700,338 A | 1/1929 | Scoggins |
| 2,136,088 A | 11/1938 | Stevens |
| D158,433 S | 5/1950 | Bevelacqua |
| 2,587,291 A | 2/1952 | Rochers |
| 2,722,017 A | 11/1955 | Burst et al. |
| 2,747,919 A | 5/1956 | Ferneau et al. |
| 3,018,492 A | 1/1962 | Rosen |
| 3,321,779 A | 5/1967 | Kaufman et al. |
| 3,506,989 A | 4/1970 | Ross et al. |

(Continued)

1 Claim, 4 Drawing Sheets



(56)

References Cited

U.S. PATENT DOCUMENTS

| | | | | | | |
|-------------|---------|-------------------|-----------------|---------|-------------------|-------------------------|
| 3,585,659 A | 6/1971 | Burst et al. | 5,774,914 A | 7/1998 | Johnson et al. | |
| D229,381 S | 11/1973 | Benoit | 5,781,945 A | 7/1998 | Scherer et al. | |
| 3,806,109 A | 4/1974 | Weber et al. | 5,802,636 A | 9/1998 | Corbin et al. | |
| 3,905,591 A | 9/1975 | Schorr et al. | 5,906,017 A | 5/1999 | Ferrand et al. | |
| 3,932,903 A | 1/1976 | Adams et al. | 6,021,533 A | 2/2000 | Ellis et al. | |
| D240,867 S | 8/1976 | Blumberg | 6,058,531 A | 5/2000 | Carroll | |
| D248,406 S | 7/1978 | Hodge | 6,073,289 A | 6/2000 | Bolden et al. | |
| D249,359 S | 9/1978 | Stott et al. | 6,141,806 A | 11/2000 | Bobey et al. | |
| 4,183,015 A | 1/1980 | Drew et al. | D436,474 S | 1/2001 | Morren | |
| 4,186,456 A | 2/1980 | Huempfnier | 6,185,767 B1 | 2/2001 | Brooke et al. | |
| 4,214,326 A | 7/1980 | Spann | 6,240,580 B1 | 6/2001 | Hamilton et al. | |
| 4,215,446 A | 8/1980 | Mahoney | 6,240,583 B1 | 6/2001 | Brooke et al. | |
| D272,395 S | 1/1984 | Sonder et al. | 6,363,552 B1 | 4/2002 | Hornbach et al. | |
| 4,439,880 A | 4/1984 | Koncelik et al. | 6,389,622 B1 | 5/2002 | Her | |
| 4,592,104 A | 6/1986 | Foster et al. | D458,481 S | 6/2002 | Brooke | |
| 4,646,211 A | 2/1987 | Gallant et al. | D459,119 S | 6/2002 | Brooke | |
| 4,653,129 A | 3/1987 | Kuck et al. | D463,179 S | 9/2002 | Brooke | |
| D289,951 S | 5/1987 | Goodwin | D479,070 S | 9/2003 | Goodwin et al. | |
| 4,676,687 A | 6/1987 | Koffler | 6,622,364 B2 | 9/2003 | Hamilton et al. | |
| 4,724,555 A | 2/1988 | Poehner et al. | 6,640,360 B2 | 11/2003 | Hornback et al. | |
| D295,892 S | 5/1988 | Feldt | D488,941 S * | 4/2004 | Lemire | A61G 7/0507 D6/718.3 |
| 4,745,647 A | 5/1988 | Goodwin | D488,942 S | 4/2004 | Lemire et al. | |
| 4,811,435 A | 3/1989 | Foster et al. | 6,721,975 B1 | 4/2004 | Lemire | |
| D300,657 S | 4/1989 | Simpkins et al. | 6,779,209 B2 | 8/2004 | Ganance | |
| 4,827,545 A | 5/1989 | Arp | 6,951,036 B2 | 10/2005 | Lemire | |
| D301,411 S | 6/1989 | Schlapp | 7,073,220 B2 | 7/2006 | Simmonds et al. | |
| 4,847,929 A | 7/1989 | Pupovic | 7,076,818 B2 | 7/2006 | Kummer et al. | |
| D304,614 S | 11/1989 | Guttormsen | 7,107,637 B2 | 9/2006 | Kuek et al. | |
| 4,912,787 A | 4/1990 | Bradcovich | 7,150,058 B2 | 12/2006 | Rabska | |
| 4,935,968 A | 6/1990 | Hunt et al. | D553,382 S * | 10/2007 | Hayes | D6/392 |
| 4,985,946 A | 1/1991 | Foster et al. | 7,296,312 B2 | 11/2007 | Menkedick | |
| 4,998,939 A | 3/1991 | Potthast et al. | 7,406,731 B2 | 8/2008 | Menkedick | |
| 5,023,967 A | 6/1991 | Ferrand | D583,954 S | 12/2008 | Genelli | |
| 5,035,014 A | 7/1991 | Blanchard | 7,487,558 B2 | 2/2009 | Risk, Jr. et al. | |
| 5,072,463 A | 12/1991 | Willis | D604,421 S | 11/2009 | Albrecht et al. | |
| 5,072,906 A | 12/1991 | Foster | D604,422 S | 11/2009 | Albrecht et al. | |
| 5,077,843 A | 1/1992 | Dale et al. | 7,644,457 B2 | 1/2010 | Hensley | |
| 5,083,334 A | 1/1992 | Huck et al. | 7,712,166 B2 | 5/2010 | Stryker et al. | |
| 5,084,925 A | 2/1992 | Cook | D616,678 S | 6/2010 | Heimbrock et al. | |
| 5,117,521 A | 6/1992 | Foster et al. | D616,679 S | 6/2010 | Heimbrock et al. | |
| 5,121,513 A | 6/1992 | Thomas et al. | D617,586 S | 6/2010 | Heimbrock et al. | |
| 5,129,117 A | 7/1992 | Celestina et al. | D617,587 S | 6/2010 | Heimbrock et al. | |
| 5,179,744 A | 1/1993 | Foster et al. | D617,588 S | 6/2010 | Heimbrock et al. | |
| 5,195,200 A | 3/1993 | Leoutsakos | D617,589 S | 6/2010 | Heimbrock et al. | |
| D336,577 S | 6/1993 | Celestina et al. | 7,761,939 B2 | 7/2010 | Wiggins et al. | |
| D336,578 S | 6/1993 | Celestina | 7,784,125 B2 | 8/2010 | Morin et al. | |
| 5,216,768 A | 6/1993 | Bodine et al. | D627,985 S | 11/2010 | Salus | |
| 5,269,030 A | 12/1993 | Pahno et al. | D628,416 S | 12/2010 | Heimbrock et al. | |
| 5,269,388 A | 12/1993 | Reichow et al. | 7,895,689 B2 | 3/2011 | Hayes et al. | |
| D344,802 S | 3/1994 | Kuck et al. | 7,930,778 B2 | 4/2011 | Wu et al. | |
| 5,299,338 A | 4/1994 | Foster | D637,020 S | 5/2011 | Heimbrock et al. | |
| 5,317,769 A | 6/1994 | Weismiller et al. | 7,962,979 B1 | 6/2011 | Hime | |
| 5,337,430 A | 8/1994 | Schlein | D640,887 S | 7/2011 | Heimbrock et al. | |
| 5,337,845 A | 8/1994 | Foster et al. | 7,971,291 B2 | 7/2011 | Stryker et al. | |
| D351,742 S | 10/1994 | Phleps et al. | 7,986,242 B2 | 7/2011 | Dixon et al. | |
| 5,370,111 A | 12/1994 | Reeder et al. | 8,143,846 B2 | 3/2012 | Herman et al. | |
| 5,377,371 A | 1/1995 | Foster | D656,762 S * | 4/2012 | Fejt | D6/718.3 |
| 5,381,571 A | 1/1995 | Gabhart | 8,205,280 B2 | 6/2012 | Hensley et al. | |
| 5,394,581 A | 3/1995 | Leoutsakos | 8,266,741 B2 | 9/2012 | Penninger et al. | |
| 5,396,673 A | 3/1995 | Foster | 8,296,884 B2 | 10/2012 | Heimbrock | |
| 5,398,357 A | 3/1995 | Foster | 8,341,777 B2 | 1/2013 | Hensley et al. | |
| 5,398,359 A | 3/1995 | Foster | 8,341,778 B2 | 1/2013 | Heimbrock | |
| 5,454,126 A | 10/1995 | Foster et al. | 8,381,337 B2 | 2/2013 | Zerhusen et al. | |
| 5,455,975 A | 10/1995 | Foster | 8,387,179 B2 | 3/2013 | Metz et al. | |
| 5,461,673 A | 10/1995 | Coons | 8,413,270 B2 | 4/2013 | Turner et al. | |
| 5,479,666 A | 1/1996 | Foster et al. | D707,483 S | 6/2014 | Heimbrock | |
| 5,481,772 A | 1/1996 | Glynn et al. | D710,507 S | 8/2014 | Leng et al. | |
| 5,513,406 A | 5/1996 | Foster et al. | D710,509 S | 8/2014 | Leng et al. | |
| 5,542,138 A | 8/1996 | Williams et al. | D710,510 S | 8/2014 | Leng et al. | |
| 5,577,277 A | 11/1996 | Sundberg et al. | D768,422 S * | 10/2016 | O'Neal | D6/718.3 |
| 5,586,346 A | 12/1996 | Stacy et al. | D771,259 S * | 11/2016 | Newkirk | D24/184 |
| 5,623,736 A | 4/1997 | Soltani et al. | 2002/0002742 A1 | 1/2002 | Osborne et al. | |
| 5,682,631 A | 11/1997 | Weismiller et al. | 2004/0177443 A1 | 9/2004 | Simmonds | |
| 5,689,839 A | 11/1997 | Laganiere et al. | 2005/0172405 A1 | 8/2005 | Menkedick et al. | |
| 5,732,423 A | 3/1998 | Weismiller et al. | 2006/0038098 A1 | 2/2006 | Metz | |
| | | | 2006/0059621 A1 | 3/2006 | Poulos | |
| | | | 2006/0075560 A1 | 4/2006 | Osborne et al. | |
| | | | 2006/0168729 A1 | 8/2006 | Weismiller et al. | |

(56)

References Cited

U.S. PATENT DOCUMENTS

| | | | | |
|--------------|-----|---------|------------------|-----------------------|
| 2007/0050910 | A1 | 3/2007 | Blanchard et al. | |
| 2007/0130692 | A1 | 6/2007 | Lemire et al. | |
| 2007/0163043 | A1 | 7/2007 | Lemire et al. | |
| 2007/0169268 | A1 | 7/2007 | Lemire et al. | |
| 2007/0174965 | A1 | 8/2007 | Lemire et al. | |
| 2007/0294828 | A1 | 12/2007 | Hornbach et al. | |
| 2008/0005838 | A1 | 1/2008 | Wan Fong et al. | |
| 2008/0172789 | A1* | 7/2008 | Elliot | A61G 7/0528 5/616 |
| 2009/0031498 | A1 | 2/2009 | Girard et al. | |
| 2009/0119839 | A1 | 5/2009 | Guguin | |
| 2009/0188731 | A1 | 7/2009 | Zerhusen et al. | |
| 2009/0229049 | A1 | 9/2009 | Heimbrock | |
| 2009/0229050 | A1 | 9/2009 | Heimbrock | |
| 2011/0010861 | A1 | 1/2011 | Heimbrock et al. | |
| 2011/0030141 | A1 | 2/2011 | Soderberg | |
| 2011/0191957 | A1 | 8/2011 | Hornbach et al. | |
| 2011/0214234 | A1 | 9/2011 | Herman | |
| 2011/0231996 | A1 | 9/2011 | Lemire et al. | |
| 2011/0258779 | A1 | 10/2011 | Derenne et al. | |
| 2011/0277242 | A1 | 11/2011 | Dionne et al. | |
| 2012/0047652 | A1* | 3/2012 | Metz | A61G 7/0507 5/428 |
| 2012/0047654 | A1* | 3/2012 | Simmonds | A61G 7/0507 5/430 |
| 2012/0151678 | A1 | 6/2012 | Richards | |
| 2013/0019405 | A1 | 1/2013 | Flanagan et al. | |
| 2013/0019406 | A1 | 1/2013 | Riley | |
| 2013/0253291 | A1* | 9/2013 | Dixon | A47C 21/00 600/323 |
| 2016/0166453 | A1* | 6/2016 | Furman | A61G 7/018 700/275 |
| 2016/0296396 | A1* | 10/2016 | Kolar | A61G 7/002 |
| 2016/0367419 | A1* | 12/2016 | Bhai | A61G 7/015 |
| 2017/0071806 | A1* | 3/2017 | Graves | A61G 7/0503 |
| 2017/0143565 | A1* | 5/2017 | Childs | A61G 7/018 |

OTHER PUBLICATIONS

[http://www.arjohuntleigh.com/int/Product.asp?pagenumber=2571
&Product.sub.--Id=291&ProductCategory.sub.--Id=128,](http://www.arjohuntleigh.com/int/Product.asp?pagenumber=2571&Product.sub.--Id=291&ProductCategory.sub.--Id=128)

ArjoHuntleigh, Enterprise 9000 Hospital Bed, Date: No later than Apr. 28, 2009.
[http://www.arjohuntleigh.com/int/ProductDetails.asp-
?PageNumber=2571&Product Category.sub.--Id=128&Product.
sub--Id=291](http://www.arjohuntleigh.com/int/ProductDetails.asp?PageNumber=2571&ProductCategory.sub.--Id=128&Product.sub.--Id=291), ArjoHuntleigh, Enterprise 9000—Product Details—
Nurse Handset, Date: No later than Apr. 28, 2009.
[http://www.arjohuntleigh.com/int/ProductDetails.asp-
?PageNumber=2571&Product Category.sub.--Id=128&Products.
sub--Id=291](http://www.arjohuntleigh.com/int/ProductDetails.asp?PageNumber=2571&ProductCategory.sub.--Id=128&Products.sub.--Id=291), ArjoHuntleigh, Enterprise 9000—Product Details—
Plug in controls allow for easy changes, Date: No later than Apr. 28,
2009.
 Photo # 1297 (Hill-Rom Clinitron Rite-Hite), Date: No later than
Feb. 14, 2009.
 Photo # 1299 (Hill-Rom 1000), Date: No later than Feb. 14, 2009.
 Photo # 1304 (Hill-Rom Efica CC), Date: No later than Dec. 1994.
 Photo # 1305 (Hill-Rom Clinitron Elexis), Date: No later than Dec.
1993.
 Photo # 1306 (Hill-Rom Clinitron Elexis), Date: No later than Dec.
1993.
 Photo # 1307 (Hill-Rom Affinity), Date: No later than Feb. 14, 2009.
 Photo # 1309 (Hill-Rom Clinitron), Date: No later than Feb. 14,
2009.
 Med/Surg “Go Bed +”; 2 page product brochure; Stryker Medical,
copyright Jan. 2002.
 No. 21-75 Grouping/Early American finished in No. 28 Maple,
Hill-Rom, 1962, 1 page.
 No. 16-75 Grouping/Italian Provincial finished in No. 69 Cathedral
Oak, Hill-Rom, 1962, 1 page.
 No. 2101-1 Grouping/Early American finished in No. 28 Maple,
Hill-Rom, 1962, 1 page.
 The Advance 2000® Bed from Hill-Rom, Hill-Rom 1993, 18 pages.
 A Hill-Rom Solution Affinity II Bed, Hill-Rom 1996, 6 pages.
 Affinity® Three Birthing Bed, Hill-Rom Services, Inc. 2000, 2
pages.
 TotalCare® Connect Bed and TotalCare® Bed, Options and Acces-
sories, Hill-Rom Services, Inc. 2008, 8 pages.
 Hill-Rom® Med-Surg Beds Traction Catalog Part Descriptions and
Ordering Information, Hill-Rom Services, Inc. 2007, 12 pages.
 User Manual TotalCare® Bed System from Hill-Rom, Product No.
P1900-00, Hill-Rom Services, Inc. 2000, 64 pages.
 A Hill-Rom Solution Totalcare Bed System, Hill-Rom 1998, 8
pages.

* cited by examiner

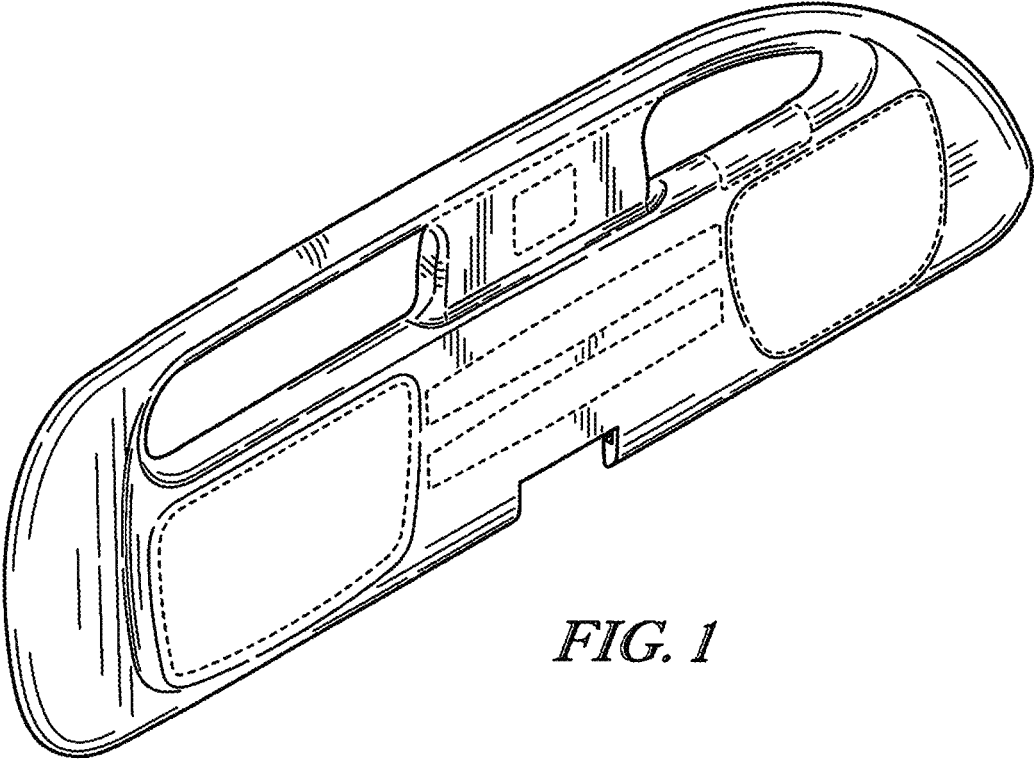


FIG. 1

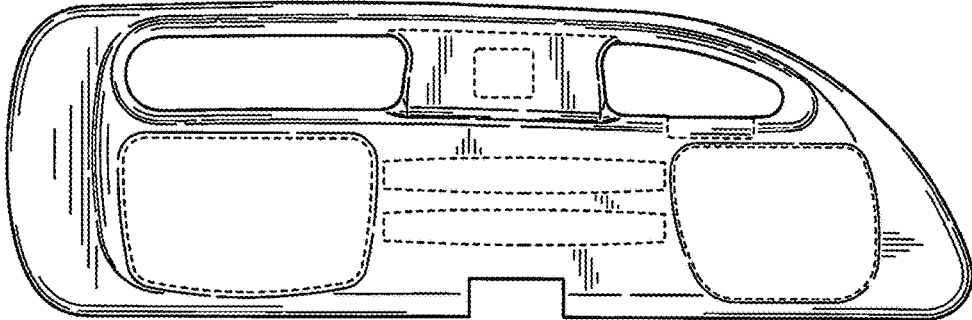


FIG. 2

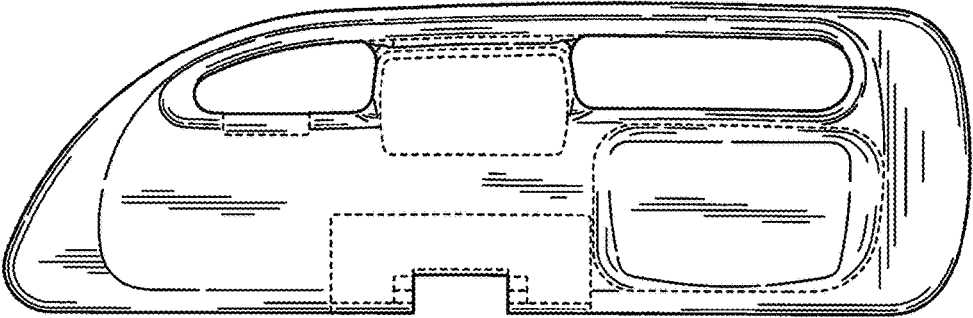


FIG. 3



FIG. 4



FIG. 5



FIG. 6

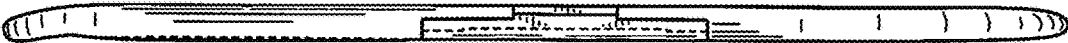


FIG. 7

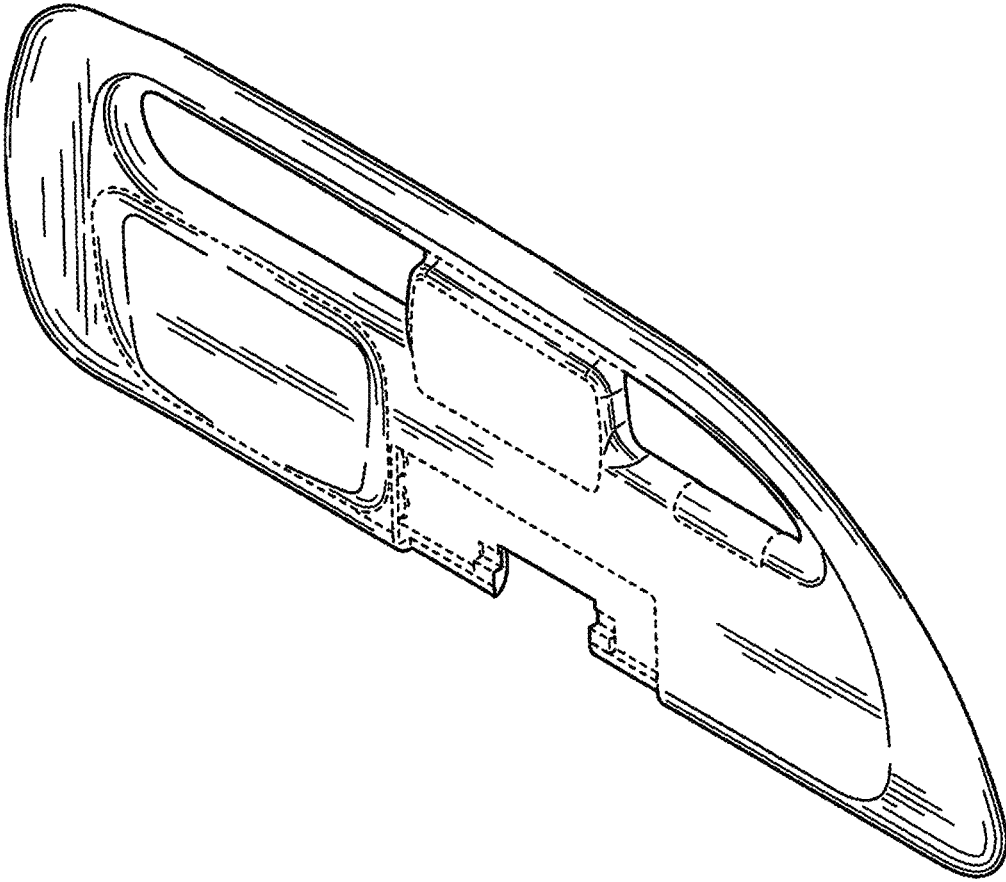


FIG. 8