

United States Patent [19]

Marinkovich et al.

[11] Patent Number: **Dés. 285,486**

[45] Date of Patent: **** Sep. 2, 1986**

[54] **BIOLOGICAL REACTION CELL**

[75] Inventors: **Vincent A. Marinkovich**, Palo Alto;
William J. Sell, San Francisco; **David H. Riege**, Newark, all of Calif.

[73] Assignee: **Mast Immunosystems, Ltd.**,
Mountain View, Calif.

[**] Term: **14 Years**

[21] Appl. No.: **570,957**

[22] Filed: **Jan. 16, 1984**

[52] U.S. Cl. **D24/29; D24/31**

[58] **Field of Search** **D24/17, 8, 29, 31, 32,**
D24/22; 422/64, 65, 67, 61, 58, 72, 73, 102, 104;
356/244, 246; 435/287, 291, 296, 312; 206/364,
366, 368, 369, 380, 388, 370, 447, 456, 562, 563,
564, 566, 588

[56] **References Cited**

U.S. PATENT DOCUMENTS

D. 257,175 9/1980 Terk D24/29
D. 265,124 6/1982 Terk D24/31
4,558,013 12/1985 Marinkovich et al. 422/61 X

Primary Examiner—A. Hugo Word
Assistant Examiner—Stella M. Reid
Attorney, Agent, or Firm—Fulwider, Patton, Rieber,
Lee & Utecht

[57] **CLAIM**

The ornamental design for a biological reaction cell, substantially as shown and described.

DESCRIPTION

FIG. 1 is a front perspective view of a biological reaction cell embodying our new design;

FIG. 2 is right end view thereof;

FIG. 3 is a left end view thereof;

FIG. 4 is a left side view thereof; the right side view being identical thereto;

FIG. 5 is a top plan view thereof;

FIG. 6 is a bottom plan view thereof.

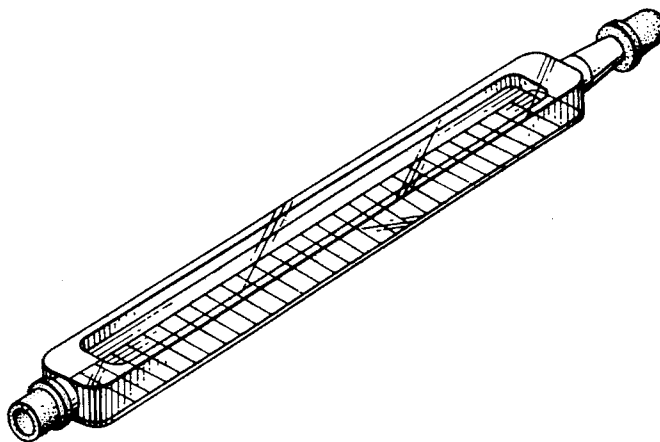


Fig. 1

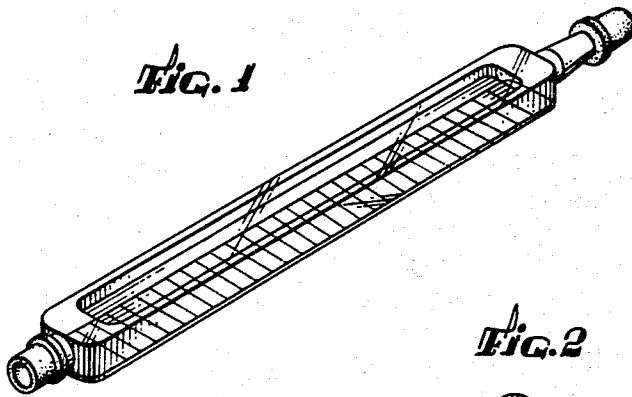


Fig. 2



Fig. 3



Fig. 4

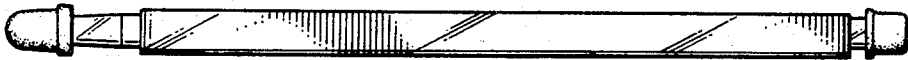


Fig. 5



Fig. 6

