

(12) UK Patent Application (19) GB (11) 2 275 891 (13) A

(43) Date of A Publication 14.09.1994

(21) Application No 9311317.3

(22) Date of Filing 02.06.1993

(71) Applicant(s)
Terrence Anthony Winsor
93 Wensleydale Road, HAMPTON, Surrey, TW12 2LZ,
United Kingdom

(72) Inventor(s)
Terrence Anthony Winsor

(74) Agent and/or Address for Service
F J Cleveland & Co
40-43 Chancery Lane, LONDON, WC2A 1JQ,
United Kingdom

(51) INT CL⁵
B42D 15/04

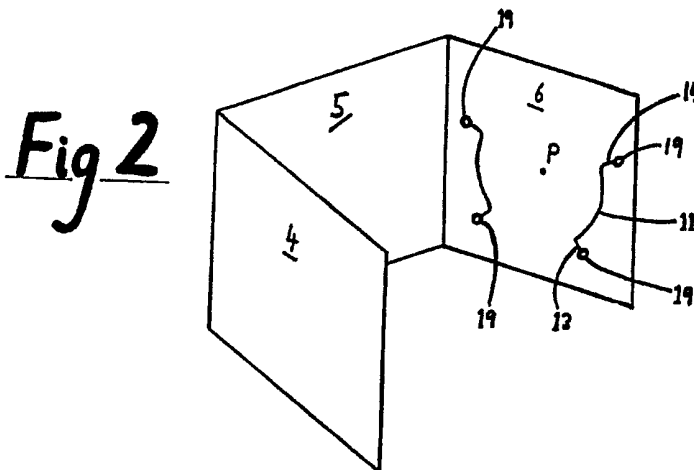
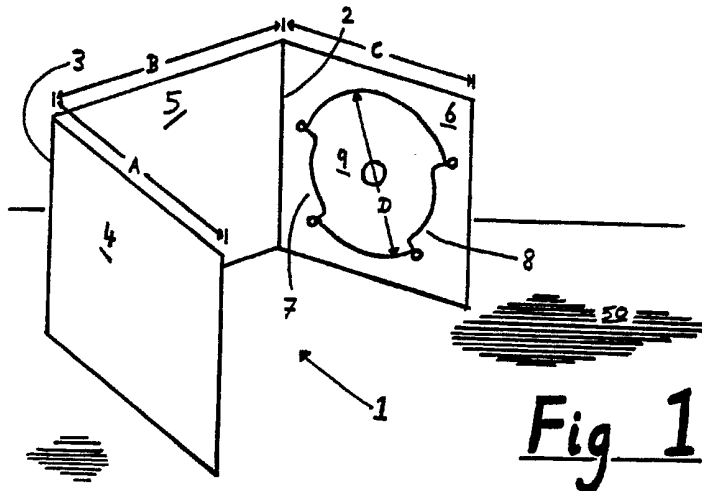
(52) UK CL (Edition M)
B6A ADE A301 A316

(56) Documents Cited
None

(58) Field of Search
UK CL (Edition M) B6A ADE
INT CL⁵ B42D 15/04 , B65D 85/57
ONLINE DATABASES:WPI

(54) A greetings card with gift.

(57) The greetings card is formed from a single sheet of foldable material, and is adapted to releasably carry a compact disc (9) such that the CD is fully protected when the card is placed into its folded position. The card is folded into three panels (4, 5, 6), slits (11, 13, 14) being cut out of one of the end panel (6) to create flaps (7, 8) to hold the CD against that panel, which end panel is surrounded by the other two panels (4, 5) when the card is folded.



GB 2 275 891 A

1/2

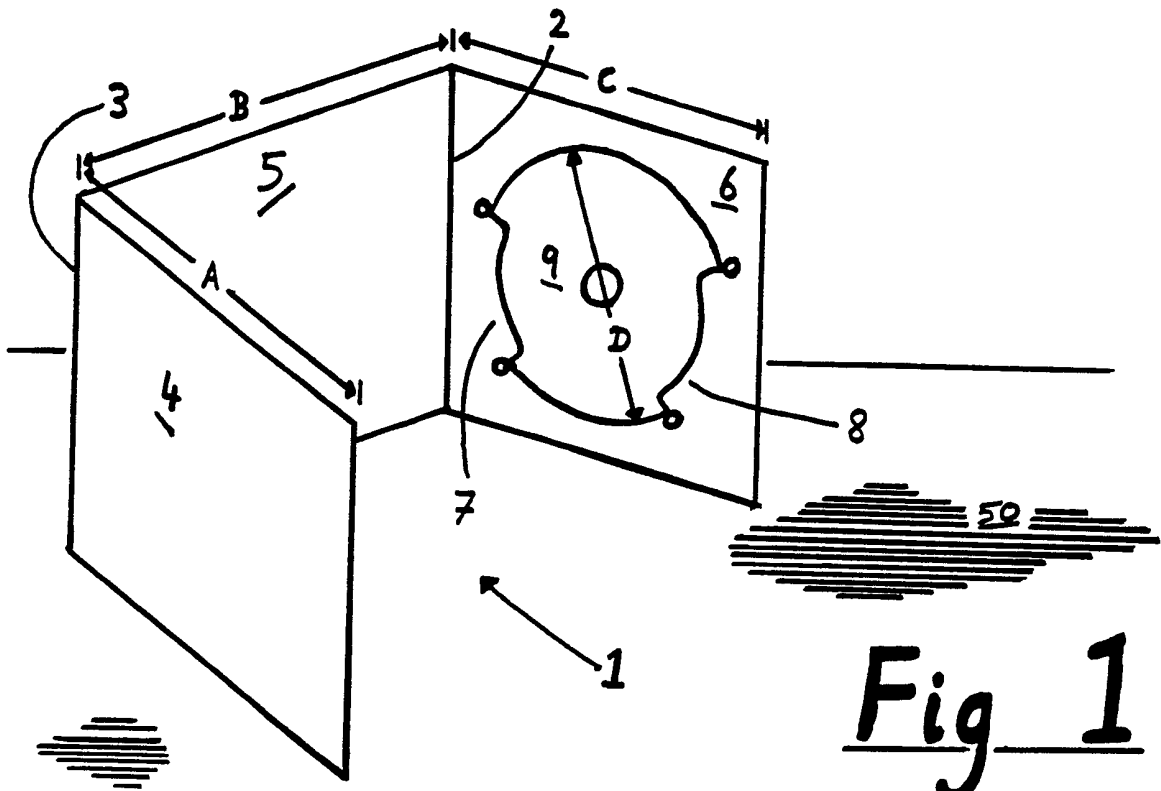
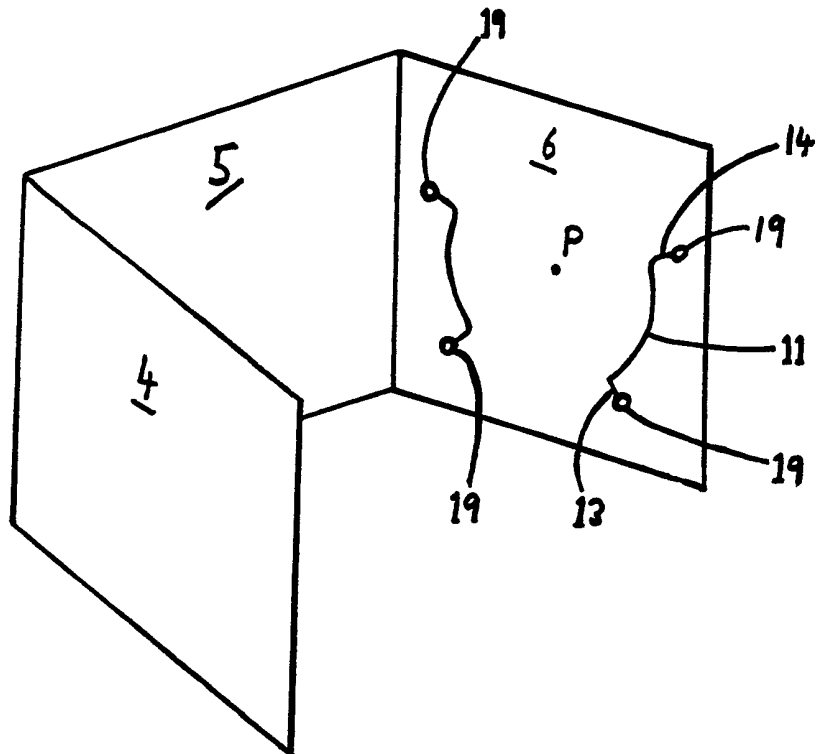


Fig 2



2/2

Fig 3

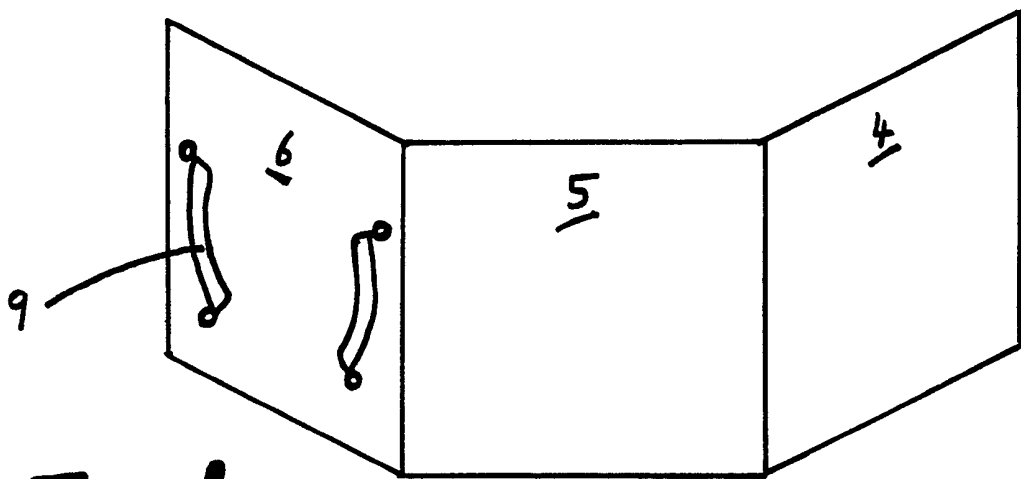
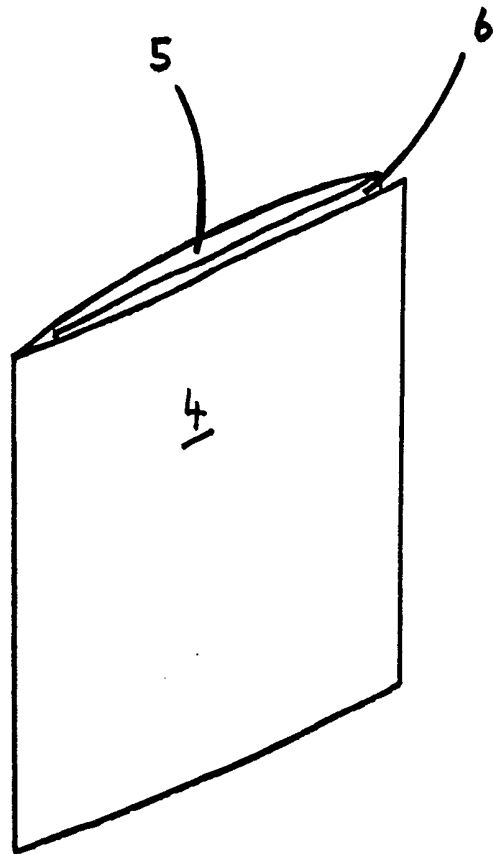


Fig 4

- 1 -

A GREETINGS CARD

The present invention relates to a greetings card, and, in particular, to a greetings card which carries and protects a compact disc or similar record means.

Typically, greetings cards are not adapted to carry any gift. This is probably because many gifts such as jewellery are either too valuable or too fragile to entrust to the post. In fact, before the advent of the present invention the only things to be carried by greetings cards were badges or electronic circuitry which combines with a miniature speaker to play a tune when the card is opened. In the past, an album or a single would have been too large to be combined with a greetings card. However, since the advent of the compact disc there has been an opportunity for combining a compact disc with a greetings card which has not been realised.

According to the present invention there is provided a greetings card comprising a sheet of foldable material, which sheet has at least one fold line thereon, the fold line or lines dividing the sheet into at least two panels; one or more record means; at least one of the panels having means thereon for releasably holding the record means; the arrangement being such that when the card is folded from its open position to its closed position both sides of each record means are covered by the panels.

The invention will now be described further with reference to and as illustrated in the accompanying drawings, in which:

Figure 1 is a perspective view of a card according to the present invention and in its open position.

Figure 2 is a similar view, but with the compact disc removed.

Figure 3 is a view of the card in its folded position, and

5 Figure 4 shows a rear perspective view of the card.

Referring to the drawings, Figure 1 shows a greetings card, indicated generally at 1, which is formed from a rectangular sheet of card. This
10 rectangular sheet is divided along its length into two end panels 4, 6 and a central panel 5 by the provision of two parallel fold lines 2, 3 running across its width. The two fold lines 2, 3 are spaced such that the longitudinal dimension A of end panel 4 is
15 substantially equal to the longitudinal dimension B of central panel 5 both of which dimensions are slightly greater than the longitudinal dimension C of end panel 6. This end panel 6 carries a compact disc 9 of diameter D by means of a pair of flaps 7, 8 as is
20 described below.

As can be seen from Figure 2 the pair of flaps 7, 8 are provided by cutting two slits 10, 11 through the end panel 6. Each slit has two radial portions 13 and 14 which join with the opposite ends
25 of a circumferential portion 11. The circumferential portion of each slit lies along the arc of the circle of a slightly smaller diameter than the diameter of the compact disc D, which circle centres of a point P at the centre of the end panel 6. Each
30 circumferential portion extends over an angle of approximately 70° and begins at a point approximately 45° away from the lowest point of the circle of smaller diameter. The radial portions 13 and 14 are of equal length and extend from either
35 end of each slit radially outwards from the point P

such that they lie on a circle of slightly greater diameter than that of the compact disc 9. Each of these radial portions terminates in a stress reducing hole which has a diameter of approximately 2.5 mm. In addition, the junction between the circumferential portions and the radial portions is curved so as to reduce the possibility of the panel tearing at a position inwardly of that junction.

In order to construct the greetings card, a sheet of card (which is provided with a surface suitable for accepting printing by methods which are well known to those skilled in the art) has a design printed on it and is then varnished. The card is then cut into suitable rectangular shapes. Each rectangular sheet of card is then scored to provide the fold lines 2 and 3 and then cut to provide the slits through the end panel 6. The portion of the end panel 6 lying radially outward of the circumferential slits 11, 12 is then raised slightly to form the two flaps 7, 8 and the compact disc 9 is inserted underneath these. This results in a small portion of the compact disc being visible from the rear of the end panel 6 as is illustrated in Figure 4. The front of the end panel 6 is then be folded towards the front side of the centre panel 5, the end panel 4 then being folded towards the rear of the end panel 6 so as to fully enclose that panel and fully protect that part of the compact disc which is visible. It is in this folded position, illustrated in Figure 3, that the card is intended to be displayed and mailed.

It can be seen that the provision of slits in order to provide flaps to hold the compact disc results in a simple construction for the greetings card that only requires a single sheet of card in its manufacture. Furthermore, the dividing of the sheets

of card into three panels uses the minimum material possible to ensure that all parts of the CD are covered when the card is folded. It can also be seen how the smaller longitudinal dimension C of the end panel 6 allows the card to be folded easily.

Finally, the described geometry of the slits results in the outside edges of the two upper stress reducing holes being spaced apart by a distance only very slightly greater than the diameter of the compact disc. Therefore, if the compact disc A is placed such that the line between the two upper stress reducing holes 19 coincides with a diameter of the compact disc 9 which lies partially under the flaps 7, 8, the card material around each hole lies below the compact disc at the upper edge of the hole and above the compact disc at the lower edge of the hole. As a result of the thickness of the compact disc (approximately 1 mm) this introduces tension into the card around the hole which results in a force which holds the compact disc against the end panel 6. This gives the advantage that the compact disc will not fall out of the card when the card is held upside down and yet can be removed if the compact disc is intentionally slid upwards in a plane parallel to the end panel 6.

It is to be understood that the present invention is not restricted in any way to a record means which is adapted to carry a particular type of information. The record means may carry audio data, visual data, instructions/data for a computer (e.g. a computer game), any other form of recorded data or a combination of these. In addition, the record means may be of any size.

CLAIMS:

1. A greetings card comprising a sheet of foldable material, which sheet has at least one fold line thereon, the fold line or lines dividing the sheet into at least two panels; one or more record means; at least one of the panels having means thereon for releasably holding the record means; the arrangement being such that when the card is folded from its open position to its closed position both sides of each record means are covered by the panels.

2. A greetings card according to claim 1, wherein: the means for releasably holding the record means on the panel are provided by at least one slit being cut through the panel, the record means being placed so that it lies underneath a first side of the panel on one side of the slit and above said first side of the panel on the other side of the slit.

3. A greetings card according to claim 2, wherein: the sheet has at least two fold lines thereon, the fold lines dividing the sheet into at least three panels; and each slit is cut into a panel of which neither side forms an outer surface of the card when the card is in its closed position; the arrangement being such that the record means is fully protected when the card is in its folded position.

4. A greetings card according to claim 3, wherein: the sheet has two fold lines which are generally parallel, thereby being divided into three panels.

5. A greetings card according to claim 4,
wherein: in folding the card from its open position to
its closed position each end panel folds towards the
same side of the central panel; and the end panel
5 which is folded first is of a smaller dimension than
the outer panels so as to facilitate the folding of
the card.

6. A greetings card according to claim 2,
10 wherein: said one or more slits are configured so as
to create one or more flaps which cover
circumferential portions of the record means.

7. A greetings card according to claim 6,
15 wherein the means for releasably holding the record
means are provided by two flaps angularly spaced
around the circumference of the record means.

8. A greetings card according to claim 7,
20 wherein the slits are configured so as to enable the
record means to be removed by sliding it along the
plane of the panel on which it is held.

9. A greetings card according to claim 8,
25 wherein: the distance between the ends of the first
and second slits is slightly greater than the diameter
of the record means, the arrangement being such that
the resulting tension in the card material around the
end of the slit holds the record means between the
30 flap and the panel thereby preventing accidental
release of the record means but allowing intentional
removal.

10. A greetings card according to claim 2,
wherein: the slits are terminated by round holes
through the card so as to reduce stress concentration
at the end of the slits and hence the likelihood of
5 the card being torn.

11. A greetings card according to claim 1,
wherein the record means is an audio compact disc.

10 12. A greetings card according to claim 1,
wherein the record means stores a video recording.

13. A greetings card according to claim 1,
wherein the record means stores photographic images.
15

14. A greetings card according to claim 1,
wherein the record means stores instructions and/or
data for a computer.

20 15. A greetings substantially as hereinbefore
described and as shown in the accompanying drawings.

Relevant Technical Fields

- (i) UK Cl (Ed.L) B6A (ADE)
- (ii) Int Cl (Ed.5) B42D B65D

Databases (see below)

- (i) UK Patent Office collections of GB, EP, WO and US patent specifications.
- (ii) ONLINE DATABASE WPI

Search Examiner
G J W RUSSELL

Date of completion of Search
29 APRIL 1994

Documents considered relevant following a search in respect of Claims :-
1-15

Categories of documents

- | | |
|--|---|
| <p>X: Document indicating lack of novelty or of inventive step.</p> <p>Y: Document indicating lack of inventive step if combined with one or more other documents of the same category.</p> <p>A: Document indicating technological background and/or state of the art.</p> | <p>P: Document published on or after the declared priority date but before the filing date of the present application.</p> <p>E: Patent document published on or after, but with priority date earlier than, the filing date of the present application.</p> <p>&: Member of the same patent family; corresponding document.</p> |
|--|---|

Category	Identity of document and relevant passages	Relevant to claim(s)
X	GB 2205779 A (EUROWAY) see page 1 line 9	1
X	GB 2199788 A (ANAND) see page 5 lines 8-14 and Figure 3	1-4
X	GB 2186839 A (IVEY)	1
A	GB 2102614 A (GOODWIN)	11
X	EP 0493983 A1 (TRIANGLE PRESS)	1, 11
X	US 4828105 (SILENGO)	1

Databases:The UK Patent Office database comprises classified collections of GB, EP, WO and US patent specifications as outlined periodically in the Official Journal (Patents). The on-line databases considered for search are also listed periodically in the Official Journal (Patents).