



US00D923398S

(12) **United States Design Patent**
Dodane

(10) **Patent No.:** **US D923,398 S**

(45) **Date of Patent:** **** Jun. 29, 2021**

- (54) **PAN LIFTER**
- (71) Applicant: **CRISTEL**, Fesches-le-Chatel (FR)
- (72) Inventor: **Paul Dodane**, Fesches-le-Chatel (FR)
- (73) Assignee: **Cristel**, Fesches-le-Chatel (FR)
- (**) Term: **15 Years**
- (21) Appl. No.: **29/722,014**
- (22) Filed: **Jan. 24, 2020**

D542,596 S	5/2007	Spagnolo	
D702,995 S *	4/2014	Dodane	D7/393
D745,803 S	12/2015	Dodane	
D747,919 S *	1/2016	Dodane	D7/393
D815,488 S *	4/2018	Dodane	D7/393
D818,311 S *	5/2018	Munari	D7/393

(Continued)

(30) **Foreign Application Priority Data**

Aug. 28, 2019 (EM) 006776910-0001

(51) **LOC (13) Cl.** **07-02**

(52) **U.S. Cl.**

USPC **D7/393**

(58) **Field of Classification Search**

USPC D7/332-334, 337, 339-341, 346, 348,
D7/349, 354, 360, 361, 391, 393-396,
D7/402, 406; D8/300, 303, 310, 311,
D8/315, 321; D15/89; D32/5, 6, 8, 25,
D32/28

CPC .. A47J 27/00; A47J 36/00; A47J 36/06; A47J
37/0623; A47J 37/0647; A47J 37/07;
A47J 37/0713; A47J 37/0727; A47J
37/074; A47J 37/0763; A47J 37/10; A47J
37/101; A47J 45/06; A47J 45/061; A47J
45/062; A47J 45/063; A47J 45/068; A47J
45/07; A47J 45/071; A47J 45/072; A47J
45/074; F24B 1/00; F24B 1/191; F24B
1/20; F24C 1/00; F24C 3/00; F24C
3/002; F24C 3/008; F24C 3/02; F24C
3/04; F24C 3/042; F24C 3/047; F24C
3/06; F24C 3/062; F24C 3/067; F24C
15/16; F24C 15/168; F24C 15/26

See application file for complete search history.

(56) **References Cited**

U.S. PATENT DOCUMENTS

D512,602 S	12/2005	Spagnolo
D529,334 S	10/2006	Spagnolo

OTHER PUBLICATIONS

Design No. 006776910-0001, Aug. 28, 2019—European Union Intellectual Property Office (EUIPO) Publication Date—Aug. 30, 2019 Owner—CRISTEL DesignView, available at www.tmdn.org/tmdsview-web/welcome (Year: 2019).*

(Continued)

Primary Examiner — Mary Ann Calabrese
Assistant Examiner — Natalya M Rapundalo
(74) *Attorney, Agent, or Firm* — Craft Chu PLLC;
Andrew W. Chu

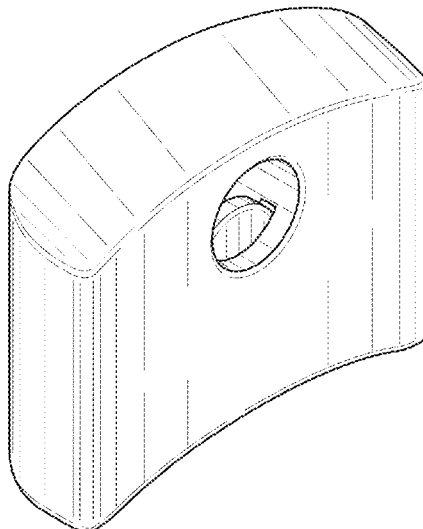
(57) **CLAIM**

The ornamental design for a pan lifter, as shown and described.

DESCRIPTION

FIG. 1 is an upper perspective view of the pan lifter showing my design;
FIG. 2 is a top plan view thereof;
FIG. 3 is a bottom plan view thereof;
FIG. 4 is a side elevation view thereof;
FIG. 5 is an opposite side elevation view thereof;
FIG. 6 is an end elevation view thereof; and,
FIG. 7 is an opposite end elevation view thereof.
The pan lifter is a handheld device for use in the kitchen. The interior components in broken lines in FIG. 7 form no part of the claimed design.

1 Claim, 2 Drawing Sheets



(56)

References Cited

U.S. PATENT DOCUMENTS

D839,665 S * 2/2019 Munari D7/393

OTHER PUBLICATIONS

Cristel Detachable Side Handle, first available Mar. 5, 2020, Amazon, [online], [site visited Mar. 3, 2021], Available from internet URL: <https://www.amazon.com/Detachable-Stainless-Mechanism-Casteline-collection/dp/B085HMNDXQ> (Year: 2020).*

* cited by examiner

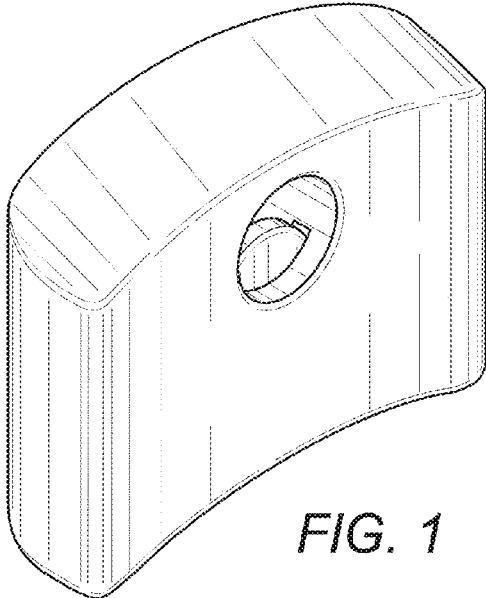


FIG. 1

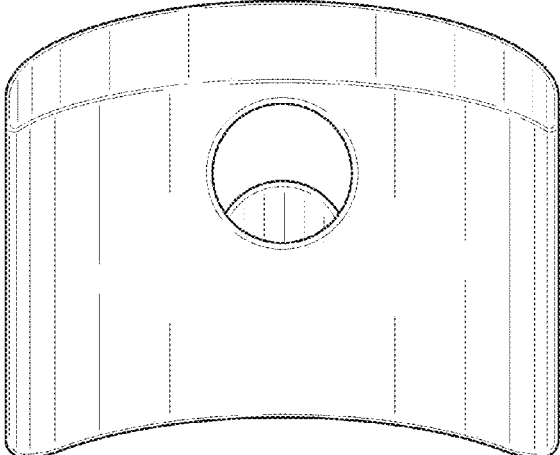


FIG. 2

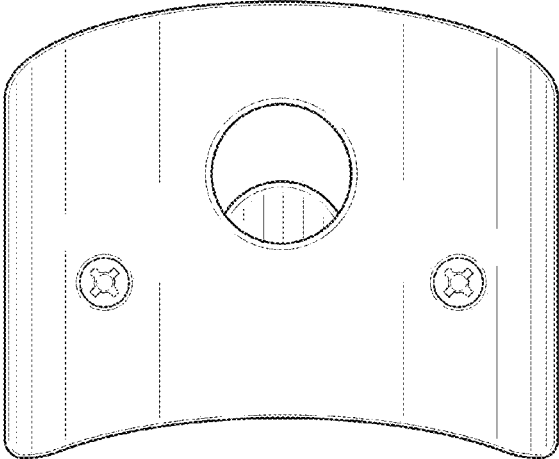


FIG. 3

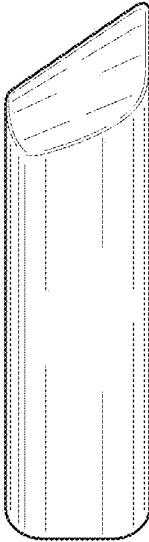


FIG. 4

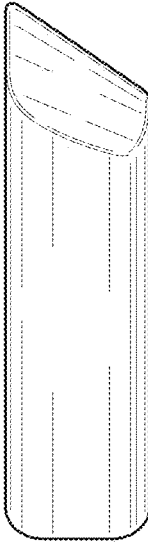


FIG. 5



FIG. 6

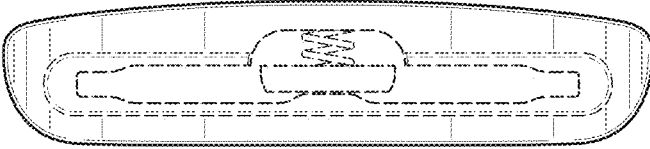


FIG. 7