



US00D757933S

(12) **United States Design Patent**
Lev et al.

(10) **Patent No.:** US D757,933 S

(45) **Date of Patent:** ** May 31, 2016

(54) **DUAL VIAL ADAPTER ASSEMBLAGE**

(71) Applicant: **MEDIMOP Medical Projects Ltd.,**
Ra'anana (IL)

(72) Inventors: **Nimrod Lev, Savion (IL); Mordechai**
Bukhman, Netanya (IL)

(73) Assignee: **Medimop Medical Projects Ltd.,**
Ra'anana (IL)

3,225,763 A	12/1965	Waterman
3,484,849 A	12/1969	Huebner et al.
3,618,637 A	11/1971	Santomieri
3,757,981 A	9/1973	Harris, Sr. et al.
3,788,524 A	1/1974	Davis et al.
3,822,700 A	7/1974	Pennington
3,826,261 A	7/1974	Killinger
3,872,992 A	3/1975	Larson
3,885,607 A	5/1975	Peltier
3,938,520 A	2/1976	Scislowicz et al.
3,957,052 A	5/1976	Topham

(Continued)

(**) Term: **14 Years**

FOREIGN PATENT DOCUMENTS

(21) Appl. No.: **29/502,037**

CN	1950049 A	4/2007
DE	1913926 A1	9/1970

(Continued)

(22) Filed: **Sep. 11, 2014**

(51) **LOC (10) Cl.** **24-02**

(52) **U.S. Cl.**

USPC **D24/129**

(58) **Field of Classification Search**

USPC D24/127-131, 112-114, 133, 186;
606/181, 185; 604/264, 523-528, 272,
604/187, 158, 164.01-164.11, 181, 184,
604/227; 600/101, 139, 143; 128/200.24,
128/207.14, 207.15

CPC A61M 25/00; A61M 39/00; A61M 27/00;
A61M 25/0043; A61M 25/0067; A61M
25/0097

See application file for complete search history.

Office Action issued Mar. 17, 2015 in U.S. Appl. No. 14/504,979 by Lev.

(Continued)

Primary Examiner — David Muller

(74) *Attorney, Agent, or Firm* — Panitch Schwarze Belisario & Nadel LLP

(57) **CLAIM**

The ornamental design for a dual vial adapter assemblage.

DESCRIPTION

FIG. 1 is a front perspective view of a dual vial adapter assemblage in accordance with our new design;

FIG. 2 is a front elevational view thereof;

FIG. 3 is a rear elevational view thereof;

FIG. 4 is a left side elevational view thereof;

FIG. 5 is right side elevational view thereof;

FIG. 6 is a top plan view thereof; and,

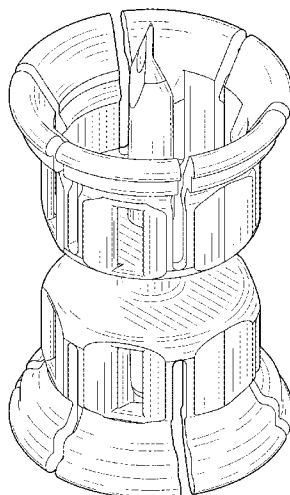
FIG. 7 is a bottom plan view thereof.

1 Claim, 6 Drawing Sheets

(56) **References Cited**

U.S. PATENT DOCUMENTS

62,333 A	2/1867	Holl
1,021,681 A	3/1912	Jennings
1,704,817 A	3/1929	Ayers
1,930,944 A	10/1933	Schmitz, Jr.
2,326,490 A	8/1943	Perelson
2,931,668 A	4/1960	Baley
2,968,497 A	1/1961	Treleman
3,059,643 A	10/1962	Barton
D198,499 S	6/1964	Harautuneian



(56)

References Cited

U.S. PATENT DOCUMENTS

3,977,555 A	8/1976	Larson	D314,050 S	1/1991	Sone
3,993,063 A	11/1976	Larrabee	D314,622 S	2/1991	Andersson et al.
4,020,839 A	5/1977	Klapp	4,997,430 A	3/1991	Van der Heiden et al.
4,051,852 A	10/1977	Villari	5,006,114 A	4/1991	Rogers et al.
D248,568 S	7/1978	Ismach	5,035,686 A	7/1991	Crittenden et al.
4,109,670 A	8/1978	Slagel	5,041,105 A	8/1991	D'Alo et al.
4,121,585 A	10/1978	Becker, Jr.	5,045,066 A	9/1991	Scheuble et al.
4,161,178 A	7/1979	Genese	5,049,129 A	9/1991	Zdeb et al.
4,187,848 A	2/1980	Taylor	5,053,015 A	10/1991	Gross
4,203,067 A	5/1980	Fitzky et al.	5,061,248 A	10/1991	Sacco
4,203,443 A	5/1980	Genese	5,088,996 A	2/1992	Kopfer et al.
4,210,173 A	7/1980	Choksi et al.	5,096,575 A	3/1992	Cosack
D257,286 S	10/1980	Folkman	5,104,387 A	4/1992	Pokorney et al.
4,253,501 A	3/1981	Ogle	5,113,904 A	5/1992	Aslanian
4,296,786 A	10/1981	Brignola	5,122,124 A	6/1992	Novacek et al.
4,303,067 A	12/1981	Connolly et al.	5,125,908 A	6/1992	Cohen
4,312,349 A	1/1982	Cohen	5,125,915 A	6/1992	Berry et al.
4,314,586 A	2/1982	Folkman	D328,788 S	8/1992	Sagae et al.
4,328,802 A	5/1982	Curley et al.	5,171,230 A	12/1992	Eland et al.
4,335,717 A	6/1982	Bujan et al.	5,201,705 A	4/1993	Berglund et al.
D267,199 S	12/1982	Koenig	5,201,717 A	4/1993	Wyatt et al.
4,376,634 A	3/1983	Prior et al.	5,203,771 A	4/1993	Melker et al.
D268,871 S	5/1983	Benham et al.	5,203,775 A	4/1993	Frank et al.
4,392,850 A	7/1983	Elias et al.	5,211,638 A	5/1993	Dudar et al.
D270,282 S	8/1983	Gross	5,232,029 A	8/1993	Knox et al.
4,410,321 A	10/1983	Pearson et al.	5,232,109 A	8/1993	Tirrell et al.
4,411,662 A	10/1983	Pearson	5,242,432 A	9/1993	DeFrank
D271,421 S	11/1983	Fetterman	5,247,972 A	9/1993	Tetreault
4,434,823 A	3/1984	Hudspith	D341,420 S	11/1993	Conn
4,465,471 A	8/1984	Harris et al.	5,269,768 A	12/1993	Cheung
4,475,915 A	10/1984	Sloane	5,270,219 A	12/1993	DeCastro et al.
4,493,348 A	1/1985	Lemmons	5,279,576 A	1/1994	Loo et al.
4,505,709 A	3/1985	Froning et al.	5,288,290 A	2/1994	Brody
4,507,113 A	3/1985	Dunlap	5,300,034 A	4/1994	Behnke et al.
D280,018 S	8/1985	Scott	5,301,685 A	4/1994	Guirguis
4,532,969 A	8/1985	Kwaan	5,304,163 A	4/1994	Bonnici et al.
4,564,054 A	1/1986	Gustavsson	5,304,165 A	4/1994	Haber et al.
4,573,993 A	3/1986	Hoag et al.	5,308,483 A	5/1994	Sklar et al.
4,576,211 A	3/1986	Valentini et al.	5,312,377 A	5/1994	Dalton
4,581,014 A	4/1986	Millerd et al.	5,328,474 A	7/1994	Raines
4,588,396 A	5/1986	Stroebel et al.	D349,648 S	8/1994	Tirrell et al.
4,588,403 A	5/1986	Weiss et al.	5,334,163 A	8/1994	Sinnott
D284,603 S	7/1986	Loignon	5,334,179 A	8/1994	Poli et al.
4,604,093 A	8/1986	Brown et al.	5,342,346 A	8/1994	Honda et al.
4,607,671 A	8/1986	Aalto et al.	5,344,417 A	9/1994	Wadsworth, Jr.
4,614,437 A	9/1986	Buehler	5,348,548 A	9/1994	Meyer et al.
4,638,975 A	1/1987	Iuchi et al.	5,350,372 A	9/1994	Ikeda et al.
4,639,019 A	1/1987	Mittleman	5,364,386 A	11/1994	Fukuoka et al.
4,667,927 A	5/1987	Oscarsson	5,364,387 A	11/1994	Sweeney
4,676,530 A	6/1987	Nordgren et al.	5,374,264 A	12/1994	Wadsworth, Jr.
4,683,975 A	8/1987	Booth et al.	5,385,547 A	1/1995	Wong et al.
4,697,622 A	10/1987	Swift et al.	5,397,303 A	3/1995	Sancoff et al.
4,721,133 A	1/1988	Sundblom	D357,733 S	4/1995	Matkovich
4,729,401 A	3/1988	Raines	5,429,614 A	7/1995	Fowles et al.
4,735,608 A	4/1988	Sardam	5,433,330 A	7/1995	Yatsko et al.
4,743,229 A	5/1988	Chu	5,445,630 A	8/1995	Richmond
4,743,243 A	5/1988	Vaillancourt	5,445,631 A	8/1995	Uchida
4,752,292 A	6/1988	Lopez et al.	D362,718 S	9/1995	Deily et al.
4,758,235 A	7/1988	Tu	5,451,374 A	9/1995	Molina
4,759,756 A	7/1988	Forman et al.	5,454,805 A	10/1995	Brony
4,778,447 A	10/1988	Velde et al.	5,464,111 A	11/1995	Vacek et al.
4,787,898 A	11/1988	Raines	5,464,123 A	11/1995	Scarrow
4,797,898 A	1/1989	Martinez	5,466,219 A	11/1995	Lynn et al.
4,804,366 A	2/1989	Zdeb et al.	5,466,220 A	11/1995	Brenneman
4,832,690 A	5/1989	Kuu	5,470,327 A	11/1995	Helgren et al.
4,834,152 A	5/1989	Howson et al.	5,471,994 A	12/1995	Guirguis
D303,013 S	8/1989	Konopka	5,472,022 A	12/1995	Michel et al.
4,857,062 A	8/1989	Russell	5,478,337 A	12/1995	Okamoto et al.
4,865,592 A	9/1989	Rycroft	5,492,147 A	2/1996	Challender et al.
4,871,463 A	10/1989	Taylor et al.	D369,406 S	4/1996	Niedospial et al.
4,898,209 A	2/1990	Zbed	5,505,714 A	4/1996	Dassa et al.
4,909,290 A	3/1990	Coccia	5,509,433 A	4/1996	Paradis
4,931,040 A	6/1990	Haber et al.	5,520,659 A	5/1996	Hedges
4,932,944 A	6/1990	Jagger et al.	5,526,853 A	6/1996	McPhee et al.
4,967,797 A	11/1990	Manska	5,527,306 A	6/1996	Haining
			5,531,695 A	7/1996	Swisher
			5,547,471 A	8/1996	Thompson et al.
			5,549,577 A	8/1996	Siegel et al.
			5,554,128 A	9/1996	Hedges

(56)

References Cited

U.S. PATENT DOCUMENTS

5,566,729 A	10/1996	Grabenkort et al.	6,019,750 A	2/2000	Fowles et al.
5,569,191 A	10/1996	Meyer	6,022,339 A	2/2000	Fowles et al.
5,573,281 A	11/1996	Keller	6,036,171 A	3/2000	Weinheimer et al.
5,578,015 A	11/1996	Robb	6,039,093 A	3/2000	Mrotzek et al.
5,583,052 A	12/1996	Portnoff et al.	6,039,302 A	3/2000	Cote, Sr. et al.
5,584,819 A	12/1996	Kopfer	D422,357 S	4/2000	Niedospial, Jr. et al.
5,591,143 A	1/1997	Trombley, III et al.	6,063,068 A	5/2000	Fowles et al.
5,603,706 A	2/1997	Wyatt et al.	D427,308 S	6/2000	Zinger
5,607,439 A	3/1997	Yoon	D427,309 S	6/2000	Molina
5,611,576 A	3/1997	Guala	6,070,623 A	6/2000	Aneas
5,616,203 A	4/1997	Stevens	6,071,270 A	6/2000	Fowles et al.
5,636,660 A	6/1997	Pfleiderer et al.	6,080,132 A	6/2000	Cole et al.
5,637,101 A	6/1997	Shillington	D428,141 S	7/2000	Brotspies et al.
5,641,010 A	6/1997	Maier	6,086,762 A	7/2000	Guala
5,645,538 A	7/1997	Richmond	6,089,541 A	7/2000	Weinheimer et al.
5,647,845 A	7/1997	Haber et al.	6,090,091 A	7/2000	Fowles et al.
5,651,776 A	7/1997	Appling et al.	6,090,093 A	7/2000	Thibault et al.
5,653,686 A	8/1997	Coulter et al.	6,092,692 A	7/2000	Riskin
5,674,195 A	10/1997	Truthan	D430,291 S	8/2000	Jansen et al.
5,676,346 A	10/1997	Leinsing	6,099,511 A	8/2000	Devos et al.
5,685,845 A	11/1997	Grimard	6,113,068 A	9/2000	Ryan
D388,172 S	12/1997	Cipes	6,113,583 A	9/2000	Fowles et al.
5,699,821 A	12/1997	Paradis	6,117,114 A	9/2000	Paradis
5,702,019 A	12/1997	Grimard	D431,864 S	10/2000	Jansen
5,718,346 A	2/1998	Weiler	6,139,534 A	10/2000	Niedospial, Jr. et al.
D393,722 S	4/1998	Fangrow, Jr. et al.	6,142,446 A	11/2000	Leinsing
5,738,144 A	4/1998	Rogers	6,146,362 A	11/2000	Turnbull et al.
5,743,312 A	4/1998	Pfeifer et al.	6,149,623 A	11/2000	Reynolds
5,746,733 A	5/1998	Capaccio et al.	6,156,025 A	12/2000	Niedospial, Jr. et al.
5,755,696 A	5/1998	Caizza	6,159,192 A	12/2000	Fowles et al.
5,766,211 A	6/1998	Wood et al.	6,168,037 B1	1/2001	Grimard
5,772,630 A	6/1998	Ljungquist	6,171,287 B1	1/2001	Lynn et al.
5,772,652 A	6/1998	Zielinski	6,171,293 B1	1/2001	Rowley et al.
RE35,841 E	7/1998	Frank et al.	6,173,852 B1	1/2001	Browne
5,776,116 A	7/1998	Lopez et al.	6,173,868 B1	1/2001	DeJonge
5,782,872 A	7/1998	Muller	6,174,304 B1	1/2001	Weston
5,806,831 A	9/1998	Paradis	6,179,822 B1	1/2001	Niedospial, Jr.
5,810,792 A	9/1998	Fangrow, Jr. et al.	6,179,823 B1	1/2001	Niedospial, Jr.
D399,559 S	10/1998	Molina	6,206,861 B1	3/2001	Mayer
5,817,082 A	10/1998	Niedospial, Jr. et al.	6,221,041 B1	4/2001	Russo
5,820,621 A	10/1998	Yale et al.	6,221,054 B1	4/2001	Martin et al.
5,827,262 A	10/1998	Neftel et al.	6,221,065 B1	4/2001	Davis
5,832,971 A	11/1998	Yale et al.	6,238,372 B1	5/2001	Zinger et al.
5,833,213 A	11/1998	Ryan	6,245,044 B1	6/2001	Daw et al.
5,834,744 A	11/1998	Risman	D445,501 S	7/2001	Niedospial, Jr.
5,839,715 A	11/1998	Leinsing	D445,895 S	7/2001	Svensden
5,853,406 A	12/1998	Masuda et al.	6,253,804 B1	7/2001	Safabash
D405,522 S	2/1999	Hoening et al.	6,258,078 B1	7/2001	Thilly
5,871,110 A	2/1999	Grimard et al.	6,280,430 B1	8/2001	Neftel et al.
5,873,872 A	2/1999	Thibault et al.	6,290,688 B1	9/2001	Lopez et al.
5,879,337 A	3/1999	Kuracina et al.	6,296,621 B1	10/2001	Masuda et al.
5,879,345 A	3/1999	Aneas	6,299,131 B1	10/2001	Ryan
5,887,633 A	3/1999	Yale et al.	6,343,629 B1	2/2002	Wessman et al.
5,890,610 A	4/1999	Jansen et al.	6,348,044 B1	2/2002	Coletti et al.
5,891,129 A	4/1999	Daubert et al.	6,358,236 B1	3/2002	DeFoggi et al.
5,893,397 A	4/1999	Peterson et al.	6,364,866 B1	4/2002	Furr et al.
5,897,526 A	4/1999	Vaillancourt	6,378,576 B2	4/2002	Thibault et al.
5,899,468 A	5/1999	Apps et al.	6,378,714 B1	4/2002	Jansen et al.
5,902,280 A	5/1999	Powles et al.	6,379,340 B1	4/2002	Zinger et al.
5,902,298 A	5/1999	Niedospial, Jr. et al.	D457,954 S	5/2002	Wallace et al.
D410,740 S	6/1999	Molina	6,382,442 B1	5/2002	Thibault et al.
5,911,710 A	6/1999	Barry et al.	6,386,397 B2	5/2002	Brotspies et al.
5,919,182 A	7/1999	Avallone	6,408,897 B1	6/2002	Laurent et al.
5,921,419 A	7/1999	Niedospial, Jr. et al.	6,409,708 B1	6/2002	Wessman
5,924,584 A	7/1999	Hellstrom et al.	6,440,107 B1	8/2002	Trombley, III et al.
5,925,029 A	7/1999	Jansen et al.	6,453,949 B1	9/2002	Chau
5,935,112 A	8/1999	Stevens et al.	6,453,956 B2	9/2002	Safabash
5,941,848 A	8/1999	Nishimoto et al.	6,474,375 B2	11/2002	Spero et al.
5,944,700 A	8/1999	Nguyen et al.	6,478,788 B1	11/2002	Aneas
5,954,104 A	9/1999	Daubert et al.	D468,015 S	12/2002	Horppu
5,971,181 A	10/1999	Niedospial, Jr. et al.	6,499,617 B1	12/2002	Niedospial, Jr. et al.
5,971,965 A	10/1999	Mayer	6,503,240 B1	1/2003	Niedospial, Jr. et al.
5,989,237 A	11/1999	Fowles et al.	6,503,244 B2	1/2003	Hayman
6,003,566 A	12/1999	Thibault et al.	6,520,932 B2	2/2003	Taylor
6,004,278 A	12/1999	Botich et al.	6,524,278 B1	2/2003	Campbell et al.
			6,524,295 B2	2/2003	Daubert et al.
			D472,316 S	3/2003	Douglas et al.
			6,530,903 B2	3/2003	Wang et al.
			6,537,263 B1	3/2003	Aneas

(56)

References Cited

U.S. PATENT DOCUMENTS

D472,630 S	4/2003	Douglas et al.	7,354,422 B2	4/2008	Riesenberger et al.
6,544,246 B1	4/2003	Niedospial, Jr.	7,354,427 B2	4/2008	Fangrow
6,551,299 B2	4/2003	Miyoshi et al.	7,425,209 B2	9/2008	Fowles et al.
6,558,365 B2	5/2003	Zinger et al.	7,435,246 B2	10/2008	Zihlmann
6,571,837 B2	6/2003	Jansen et al.	D580,558 S	11/2008	Shigesada et al.
6,572,591 B2	6/2003	Mayer	7,452,348 B2	11/2008	Hasegawa
6,575,955 B2	6/2003	Azzolini	7,470,257 B2	12/2008	Norton et al.
6,581,593 B1	6/2003	Rubin et al.	7,470,265 B2	12/2008	Brugger et al.
6,582,415 B1	6/2003	Fowles et al.	7,472,932 B2	1/2009	Weber et al.
D476,731 S	7/2003	Cise et al.	7,488,297 B2	2/2009	Flaherty
6,591,876 B2	7/2003	Safabash	7,491,197 B2	2/2009	Jansen et al.
6,599,273 B1	7/2003	Lopez	7,497,848 B2	3/2009	Leinsing et al.
6,601,721 B2	8/2003	Jansen et al.	7,523,967 B2	4/2009	Steppe
6,626,309 B1	9/2003	Jansen et al.	7,530,546 B2	5/2009	Ryan et al.
6,638,244 B1	10/2003	Reynolds	D595,420 S	6/2009	Suzuki et al.
D482,121 S	11/2003	Harding et al.	D595,421 S	6/2009	Suzuki et al.
D482,447 S	11/2003	Harding et al.	7,540,863 B2	6/2009	Haindl
6,651,956 B2	11/2003	Miller	7,540,865 B2	6/2009	Griffin et al.
6,652,509 B1	11/2003	Helgren et al.	7,544,191 B2	6/2009	Peluso et al.
D483,487 S	12/2003	Harding et al.	D595,862 S	7/2009	Suzuki et al.
D483,869 S	12/2003	Tran et al.	D595,863 S	7/2009	Suzuki et al.
6,656,433 B2	12/2003	Sasso	7,611,487 B2	11/2009	Woehr et al.
6,666,852 B2	12/2003	Niedospial, Jr.	7,611,502 B2	11/2009	Daly
6,681,810 B2	1/2004	Weston	7,615,041 B2	11/2009	Sullivan et al.
6,681,946 B1	1/2004	Jansen et al.	7,628,779 B2	12/2009	Aneas
6,682,509 B2	1/2004	Lopez	7,632,261 B2	12/2009	Zinger et al.
6,692,478 B1	2/2004	Paradis	D608,900 S	1/2010	Giraud et al.
6,692,829 B2	2/2004	Stubler et al.	7,654,995 B2	2/2010	Warren et al.
6,695,829 B2	2/2004	Hellstrom et al.	7,670,326 B2	3/2010	Shemesh
6,699,229 B2	3/2004	Zinger et al.	7,695,445 B2	4/2010	Yuki
6,706,022 B1	3/2004	Leinsing et al.	D616,090 S	5/2010	Kawamura
6,706,031 B2	3/2004	Manera	7,713,247 B2	5/2010	Lopez
6,715,520 B2	4/2004	Andreasson et al.	7,717,886 B2	5/2010	Lopez
6,729,370 B2	5/2004	Norton et al.	7,722,090 B2	5/2010	Burton et al.
6,736,798 B2	5/2004	Ohkubo et al.	D616,984 S	6/2010	Gilboa
6,745,998 B2	6/2004	Doyle	7,731,678 B2	6/2010	Tennican et al.
6,746,438 B1	6/2004	Arnisolle	7,743,799 B2	6/2010	Mosler et al.
6,752,180 B2	6/2004	Delay	7,744,581 B2	6/2010	Wallen et al.
D495,416 S	8/2004	Dimeo et al.	7,757,901 B2	7/2010	Welp
D496,457 S	9/2004	Prais et al.	7,758,082 B2	7/2010	Weigel et al.
6,802,490 B2	10/2004	Leinsing et al.	7,762,524 B2	7/2010	Cawthon et al.
6,832,994 B2	12/2004	Niedospial, Jr. et al.	7,766,304 B2	8/2010	Phillips
6,852,103 B2	2/2005	Fowles et al.	7,771,383 B2	8/2010	Truitt et al.
6,875,203 B1	4/2005	Fowles et al.	D624,641 S	9/2010	Boclet
6,875,205 B2	4/2005	Leinsing	7,799,009 B2	9/2010	Niedospial, Jr. et al.
6,878,131 B2	4/2005	Novacek et al.	7,803,140 B2	9/2010	Fangrow, Jr.
6,890,328 B2	5/2005	Fowles et al.	D627,216 S	11/2010	Fulginiti
D506,256 S	6/2005	Miyoshi et al.	D630,732 S	1/2011	Lev et al.
6,901,975 B2	6/2005	Aramata et al.	7,862,537 B2	1/2011	Zinger et al.
6,945,417 B2	9/2005	Jansen et al.	7,867,215 B2	1/2011	Akerlund et al.
6,948,522 B2	9/2005	Newbrough et al.	7,879,018 B2	2/2011	Zinger et al.
6,949,086 B2	9/2005	Ferguson et al.	D634,007 S	3/2011	Zinger et al.
6,951,613 B2	10/2005	Reif et al.	7,900,659 B2	3/2011	Whitley et al.
6,957,745 B2	10/2005	Thibault et al.	D637,713 S	5/2011	Nord et al.
RE38,996 E	2/2006	Crawford et al.	D641,080 S	7/2011	Zinger et al.
6,994,315 B2	2/2006	Ryan et al.	7,985,216 B2	7/2011	Daily et al.
6,997,916 B2	2/2006	Simas, Jr. et al.	D644,104 S	8/2011	Maeda et al.
6,997,917 B2	2/2006	Niedospial, Jr. et al.	7,993,328 B2	8/2011	Whitley
7,024,968 B2	4/2006	Raudabough et al.	8,007,461 B2	8/2011	Huo et al.
7,070,589 B2	7/2006	Lolachi et al.	8,012,132 B2	9/2011	Lum et al.
7,074,216 B2	7/2006	Fowles et al.	8,016,809 B2	9/2011	Zinger et al.
7,083,600 B2	8/2006	Meloul	8,021,325 B2	9/2011	Zinger et al.
7,086,431 B2	8/2006	D'Antonio et al.	8,025,653 B2	9/2011	Capitaine et al.
7,100,890 B2	9/2006	Cote, Sr. et al.	8,029,472 B2	10/2011	Leinsing et al.
7,140,401 B2	11/2006	Wilcox et al.	8,038,123 B2	10/2011	Ruschke et al.
7,150,735 B2	12/2006	Hickle	8,066,688 B2	11/2011	Zinger et al.
7,192,423 B2	3/2007	Wong	8,070,739 B2	12/2011	Zinger et al.
7,195,623 B2	3/2007	Burroughs et al.	8,075,550 B2	12/2011	Nord et al.
7,241,285 B1	7/2007	Dikeman	8,096,525 B2	1/2012	Ryan
7,294,122 B2	11/2007	Kubo et al.	8,105,314 B2	1/2012	Fangrow, Jr.
7,306,199 B2	12/2007	Leinsing et al.	D654,166 S	2/2012	Lair
D561,348 S	2/2008	Zinger et al.	D655,017 S	2/2012	Mosler et al.
7,326,188 B1	2/2008	Russell et al.	8,122,923 B2	2/2012	Kraus et al.
7,326,194 B2	2/2008	Zinger et al.	8,123,736 B2	2/2012	Kraushaar et al.
7,350,764 B2	4/2008	Raybuck	8,157,784 B2	4/2012	Rogers
			8,167,863 B2	5/2012	Yow
			8,172,824 B2	5/2012	Pfeifer et al.
			8,177,768 B2	5/2012	Leinsing
			8,182,452 B2	5/2012	Mansour et al.

(56)

References Cited

U.S. PATENT DOCUMENTS

8,187,248 B2	5/2012	Zihlmann	2003/0195479 A1	10/2003	Kuracina et al.
8,196,614 B2	6/2012	Kriheli	2003/0199846 A1	10/2003	Fowles et al.
8,197,459 B2	6/2012	Jansen et al.	2003/0199847 A1	10/2003	Akerlund et al.
8,211,069 B2	7/2012	Fangrow, Jr.	2004/0024354 A1	2/2004	Reynolds
8,225,959 B2	7/2012	Lambrecht	2004/0039365 A1	2/2004	Aramata et al.
8,241,268 B2	8/2012	Whitley	2004/0044327 A1	3/2004	Hasegawa
8,262,628 B2	9/2012	Fangrow, Jr.	2004/0073189 A1	4/2004	Wyatt et al.
8,262,641 B2	9/2012	Vedrine et al.	2004/0143226 A1	7/2004	Marsden
8,267,127 B2	9/2012	Kriheli	2004/0153047 A1	8/2004	Blank et al.
D669,980 S	10/2012	Lev et al.	2004/0181192 A1	9/2004	Cuppy
8,287,513 B2	10/2012	Ellstrom et al.	2004/0204699 A1	10/2004	Hanly et al.
D673,673 S	1/2013	Wang	2004/0217315 A1	11/2004	Doyle
D674,088 S	1/2013	Lev et al.	2004/0225274 A1	11/2004	Jansen et al.
D681,230 S	4/2013	Mosler et al.	2004/0236305 A1	11/2004	Jansen et al.
8,454,573 B2	6/2013	Wyatt et al.	2004/0255952 A1	12/2004	Carlsen et al.
8,469,939 B2	6/2013	Fangrow, Jr.	2005/0015070 A1	1/2005	Delnevo et al.
8,475,404 B2	7/2013	Foshee et al.	2005/0016626 A1	1/2005	Wilcox et al.
8,480,645 B1	7/2013	Choudhury et al.	2005/0055008 A1	3/2005	Paradis et al.
8,480,646 B2	7/2013	Nord et al.	2005/0082828 A1	4/2005	Wicks et al.
8,506,548 B2	8/2013	Okiyama	2005/0124964 A1	6/2005	Niedospial et al.
8,511,352 B2	8/2013	Kraus et al.	2005/0137566 A1	6/2005	Fowles et al.
8,512,309 B2	8/2013	Shemesh et al.	2005/0148994 A1	7/2005	Leinsing
D690,418 S	9/2013	Rosenquist	2005/0159724 A1	7/2005	Enerson
8,523,837 B2	9/2013	Wiggins et al.	2005/0182383 A1	8/2005	Wallen
8,545,476 B2	10/2013	Ariagno et al.	2005/0209554 A1	9/2005	Landau
8,551,067 B2	10/2013	Zinger et al.	2005/0261637 A1	11/2005	Miller
8,556,879 B2	10/2013	Okiyama	2005/0277896 A1	12/2005	Messerli et al.
8,562,582 B2	10/2013	Tuckwell et al.	2006/0030832 A1	2/2006	Niedospial et al.
8,608,723 B2	12/2013	Lev et al.	2006/0079834 A1	4/2006	Tennican et al.
8,628,508 B2	1/2014	Weitzel et al.	2006/0089594 A1	4/2006	Landau
8,684,992 B2	4/2014	Sullivan et al.	2006/0089603 A1	4/2006	Truitt et al.
8,684,994 B2	4/2014	Lev et al.	2006/0095015 A1	5/2006	Hobbs et al.
8,752,598 B2	6/2014	Denenburg et al.	2006/0106360 A1	5/2006	Wong
D714,935 S *	10/2014	Nishioka	2006/0135948 A1	6/2006	Varma
D717,406 S	11/2014	Stanley et al.	2006/0155257 A1	7/2006	Reynolds
D717,948 S *	11/2014	Strong	2006/0253084 A1	11/2006	Nordgren
D719,650 S *	12/2014	Arinobe	2006/0253084 A1	11/2006	Nordgren
D720,067 S *	12/2014	Rosenquist	2007/0024995 A1	2/2007	Hayashi
D720,451 S *	12/2014	Denenburg	2007/0060904 A1	3/2007	Vedrine et al.
D720,452 S *	12/2014	Jordan	2007/0079894 A1	4/2007	Kraus et al.
8,900,212 B2	12/2014	Kubo	2007/0083164 A1	4/2007	Barrelle et al.
D720,850 S	1/2015	Hsia et al.	2007/0088252 A1	4/2007	Pestotnik et al.
D732,660 S *	6/2015	Ohashi	2007/0088293 A1	4/2007	Fangrow
D732,664 S *	6/2015	Woehr	2007/0088313 A1	4/2007	Zinger et al.
D733,291 S *	6/2015	Wang	2007/0106244 A1	5/2007	Mosler et al.
D733,292 S *	6/2015	Rogers	2007/0112324 A1	5/2007	Hamedi-Sangsari
D733,293 S *	6/2015	Rogers	2007/0156112 A1	7/2007	Walsh
D738,494 S *	9/2015	Kashmirian	2007/0167904 A1	7/2007	Zinger et al.
D750,235 S *	2/2016	Maurice	2007/0191760 A1	8/2007	Iguchi et al.
2001/0000347 A1	4/2001	Hellstrom et al.	2007/0191764 A1	8/2007	Zihlmann
2001/0025671 A1	10/2001	Safabash	2007/0191767 A1	8/2007	Hennessy et al.
2001/0029360 A1	10/2001	Miyoshi et al.	2007/0203451 A1	8/2007	Murakami et al.
2001/0051793 A1	12/2001	Weston	2007/0219483 A1	9/2007	Kitani et al.
2002/0017328 A1	2/2002	Loo	2007/0244447 A1	10/2007	Capitane et al.
2002/0066715 A1	6/2002	Niedospial	2007/0244461 A1	10/2007	Fangrow
2002/0087118 A1	7/2002	Reynolds et al.	2007/0244462 A1	10/2007	Fangrow
2002/0087141 A1	7/2002	Zinger et al.	2007/0244463 A1	10/2007	Warren et al.
2002/0087144 A1	7/2002	Zinger et al.	2007/0249995 A1	10/2007	Van Manen
2002/0121496 A1	9/2002	Thiebault et al.	2007/0255202 A1	11/2007	Kitani et al.
2002/0123736 A1	9/2002	Fowles et al.	2007/0265574 A1	11/2007	Tennican et al.
2002/0127150 A1	9/2002	Sasso	2007/0265581 A1	11/2007	Funamura et al.
2002/0128628 A1	9/2002	Fathallah	2007/0270778 A9	11/2007	Zinger et al.
2002/0138045 A1	9/2002	Moen	2007/0287953 A1	12/2007	Ziv et al.
2002/0173752 A1	11/2002	Polzin	2007/0299404 A1	12/2007	Katoh et al.
2002/0193777 A1	12/2002	Aneas	2008/0009789 A1	1/2008	Zinger et al.
2003/0028156 A1	2/2003	Juliar	2008/0009822 A1	1/2008	Enerson
2003/0036725 A1	2/2003	Lavi et al.	2008/0135051 A1	6/2008	Lee
2003/0068354 A1	4/2003	Reif et al.	2008/0172024 A1	7/2008	Yow
2003/0073971 A1	4/2003	Saker	2008/0188799 A1	8/2008	Mueller-Beckhaus et al.
2003/0100866 A1	5/2003	Reynolds	2008/0249479 A1	10/2008	Zinger et al.
2003/0109846 A1	6/2003	Zinger et al.	2008/0249498 A1	10/2008	Fangrow
2003/0120209 A1	6/2003	Jensen et al.	2008/0262465 A1	10/2008	Zinger et al.
2003/0153895 A1	8/2003	Leinsing	2008/0287905 A1	11/2008	Hiejima et al.
2003/0187420 A1	10/2003	Akerlund et al.	2008/0294100 A1	11/2008	de Costa et al.
2003/0191445 A1	10/2003	Wallen et al.	2008/0306439 A1	12/2008	Nelson et al.
			2008/0312634 A1	12/2008	Helmerson et al.
			2009/0012492 A1	1/2009	Zihlmann
			2009/0082750 A1	3/2009	Denenburg et al.
			2009/0143758 A1	6/2009	Okiyama
			2009/0177177 A1	7/2009	Zinger et al.

(56)

References Cited

U.S. PATENT DOCUMENTS

2009/0177178	A1	7/2009	Pedersen	EP	0195018	A1	9/1986
2009/0187140	A1	7/2009	Racz	EP	0258913	A2	3/1988
2009/0216212	A1	8/2009	Fangrow, Jr.	EP	0416454	A2	3/1991
2009/0267011	A1	10/2009	Hatton et al.	EP	0518397	A1	12/1992
2009/0299325	A1	12/2009	Vedrine et al.	EP	0521460	A1	1/1993
2009/0326506	A1	12/2009	Hasegawa et al.	EP	0637443	A1	2/1995
2010/0010443	A1	1/2010	Morgan et al.	EP	0737467	A1	10/1996
2010/0022985	A1	1/2010	Sullivan et al.	EP	761562	A1	3/1997
2010/0030181	A1	2/2010	Helle et al.	EP	765652	A1	4/1997
2010/0036319	A1	2/2010	Drake et al.	EP	765853	A1	4/1997
2010/0076397	A1	3/2010	Reed et al.	EP	0806597	A1	11/1997
2010/0087786	A1	4/2010	Zinger et al.	EP	0814866	A1	1/1998
2010/0137827	A1	6/2010	Warren et al.	EP	829248	A2	3/1998
2010/0160889	A1	6/2010	Smith et al.	EP	0856331	A2	8/1998
2010/0168664	A1	7/2010	Zinger et al.	EP	882441	A2	12/1998
2010/0168712	A1	7/2010	Tuckwell et al.	EP	0887085	A2	12/1998
2010/0179506	A1	7/2010	Shemesh et al.	EP	897708	A2	2/1999
2010/0198148	A1	8/2010	Zinger et al.	EP	0898951	A2	3/1999
2010/0204670	A1	8/2010	Kraushaar et al.	EP	960616	A2	12/1999
2010/0241088	A1	9/2010	Ranalletta et al.	EP	1008337	A1	6/2000
2010/0274184	A1	10/2010	Chun	EP	1029526	A1	8/2000
2010/0286661	A1	11/2010	Raday et al.	EP	1034809	A1	9/2000
2010/0312220	A1	12/2010	Kalitzki	EP	1051988	A2	11/2000
2011/0004184	A1	1/2011	Proksch et al.	EP	1323403	A1	7/2003
2011/0054440	A1	3/2011	Lewis	EP	1329210	A1	7/2003
2011/0087164	A1	4/2011	Mosler et al.	EP	1396250	A1	3/2004
2011/0160701	A1	6/2011	Wyatt et al.	EP	1454609	A1	9/2004
2011/0175347	A1	7/2011	Okiyama	EP	1454650	A1	9/2004
2011/0218511	A1	9/2011	Yokoyama	EP	1498097	A2	1/2005
2011/0224640	A1	9/2011	Kuhn et al.	EP	1872824	A1	1/2008
2011/0230856	A1	9/2011	Kyle et al.	EP	1911432	A1	4/2008
2011/0264037	A1	10/2011	Foshee et al.	EP	1919432	A1	5/2008
2011/0264069	A1	10/2011	Bochenko	EP	1930038	A2	6/2008
2011/0276007	A1	11/2011	Denenburg	EP	2090278	A1	8/2009
2011/0319827	A1	12/2011	Leinsing et al.	EP	2351548	A1	8/2011
2012/0022469	A1	1/2012	Alpert	EP	2351549	A1	8/2011
2012/0053555	A1	3/2012	Ariagno et al.	EP	2462913	A1	6/2012
2012/0059346	A1	3/2012	Sheppard et al.	FR	2029242	A5	10/1970
2012/0067429	A1	3/2012	Mosler et al.	FR	2856660	A1	12/2004
2012/0078214	A1	3/2012	Finke et al.	FR	2869795	A1	11/2005
2012/0123382	A1	5/2012	Kubo	FR	2931363	A1	11/2009
2012/0184938	A1	7/2012	Lev et al.	GB	1444210	A	7/1976
2012/0215182	A1	8/2012	Mansour et al.	IL	171662		10/2005
2012/0220977	A1	8/2012	Yow	JP	03-062426	B	9/1991
2012/0220978	A1	8/2012	Lev et al.	JP	4329954	A	11/1992
2012/0265163	A1	10/2012	Cheng et al.	JP	06-050656	U	7/1994
2012/0271229	A1	10/2012	Lev et al.	JP	H08-000710	A	1/1996
2012/0296307	A1	11/2012	Holt et al.	JP	09-104460	A	4/1997
2012/0310203	A1	12/2012	Khaled et al.	JP	09-104461	A	4/1997
2012/0323187	A1	12/2012	Iwase et al.	JP	10-118158	A	5/1998
2012/0323210	A1	12/2012	Lev et al.	JP	H10-504736	A	5/1998
2013/0046269	A1	2/2013	Lev et al.	JP	11503627	T	3/1999
2013/0053814	A1	2/2013	Mueller-Beckhaus et al.	JP	11-319031	A	11/1999
2013/0096493	A1	4/2013	Kubo et al.	JP	2000-508934	A	7/2000
2013/0144248	A1	6/2013	Putter et al.	JP	2000-237278	A	9/2000
2013/0199669	A1	8/2013	Moy et al.	JP	2001-505083	A	4/2001
2013/0226100	A1	8/2013	Lev	JP	2002-035140	A	2/2002
2013/0231630	A1	9/2013	Kraus et al.	JP	2002-516160	A	6/2002
2013/0237904	A1	9/2013	Deneburg et al.	JP	2002-355318	A	12/2002
2013/0289530	A1	10/2013	Wyatt et al.	JP	2003-033441	A	2/2003
2014/0020793	A1	1/2014	Denenburg et al.	JP	2003-102807	A	4/2003
2014/0096862	A1	4/2014	Aneas	JP	2004-097253	A	4/2004
2014/0150911	A1	6/2014	Hanner et al.	JP	2004-522541	A	7/2004
2014/0352845	A1	12/2014	Lev et al.	JP	2010-179128	A	8/2010
2015/0082746	A1	3/2015	Ivosevic et al.	WO	8601712	A1	3/1986
2015/0088078	A1	3/2015	Lev et al.	WO	9003536	A1	4/1990
				WO	9403373	A1	2/1994
				WO	9507066	A1	3/1995
				WO	9600053	A1	1/1996
				WO	9629113	A1	9/1996
				WO	9736636	A1	10/1997
				WO	9832411	A1	7/1998
				WO	9837854	A1	9/1998
				WO	9961093	A1	12/1999
				WO	0128490	A1	4/2001
DE	4122476	A1	1/1993	WO	0130425	A1	5/2001
DE	19504413	A1	8/1996	WO	0132524	A1	5/2001
DE	202004012714	U1	11/2004	WO	0160311	A1	8/2001
DE	202009011019	U1	12/2010	WO	0191693	A2	12/2001
EP	0192661	A1	9/1986				

FOREIGN PATENT DOCUMENTS

DE	4122476	A1	1/1993
DE	19504413	A1	8/1996
DE	202004012714	U1	11/2004
DE	202009011019	U1	12/2010
EP	0192661	A1	9/1986

EP	0195018	A1	9/1986
EP	0258913	A2	3/1988
EP	0416454	A2	3/1991
EP	0518397	A1	12/1992
EP	0521460	A1	1/1993
EP	0637443	A1	2/1995
EP	0737467	A1	10/1996
EP	761562	A1	3/1997
EP	765652	A1	4/1997
EP	765853	A1	4/1997
EP	0806597	A1	11/1997
EP	0814866	A1	1/1998
EP	829248	A2	3/1998
EP	0856331	A2	8/1998
EP	882441	A2	12/1998
EP	0887085	A2	12/1998
EP	897708	A2	2/1999
EP	0898951	A2	3/1999
EP	960616	A2	12/1999
EP	1008337	A1	6/2000
EP	1029526	A1	8/2000
EP	1034809	A1	9/2000
EP	1051988	A2	11/2000
EP	1323403	A1	7/2003
EP	1329210	A1	7/2003
EP	1396250	A1	3/2004
EP	1454609	A1	9/2004
EP	1454650	A1	9/2004
EP	1498097	A2	1/2005
EP	1872824	A1	1/2008
EP	1911432	A1	4/2008
EP	1919432	A1	5/2008
EP	1930038	A2	6/2008
EP	2090278	A1	8/2009
EP	2351548	A1	8/2011
EP	2351549	A1	8/2011
EP	2462913	A1	6/2012
FR	2029242	A5	10/1970
FR	2856660	A1	12/2004
FR	2869795	A1	11/2005
FR	2931363	A1	11/2009
GB	1444210	A	7/1976
IL	171662		10/2005
JP	03-062426	B	9/1991
JP	4329954	A	11/1992
JP	06-050656	U	7/1994
JP	H08-000710	A	1/1996
JP	09-104460	A	4/1997
JP	09-104461	A	4/1997
JP	10-118158	A	5/1998
JP	H10-504736	A	5/1998
JP	11503627	T	3/1999
JP	11-319031	A	11/1999
JP	2000-508934	A	7/2000
JP	2000-237278	A	9/2000
JP	2001-505083	A	4/2001
JP	2002-035140	A	2/2002
JP	2002-516160	A	6/2002
JP	2002-355318	A	12/2002
JP	2003-033441	A	2/2003
JP	2003-102807	A	4/2003
JP	2004-097253	A	4/2004
JP	2004-522541	A	7/2004
JP	2010-179128	A	8/2010
WO	8601712	A1	3/1986
WO	9003536	A1	4/1990
WO	9403373	A1	2/1994
WO	9507066	A1	3/1995
WO	9600053	A1	1/1996
WO	9629113	A1	9/1996
WO	9736636	A1	10/1997
WO	9832411	A1	7/1998
WO	9837854	A1	9/1998
WO	9961093	A1	12/1999
WO	0128490	A1	4/2001
WO	0130425	A1	5/2001
WO	0132524	A1	5/2001
WO	0160311	A1	8/2001
WO	0191693	A2	12/2001

(56)

References Cited

FOREIGN PATENT DOCUMENTS

WO	200209797	A1	2/2002
WO	0232372	A1	4/2002
WO	0236191	A2	5/2002
WO	02066100	A2	8/2002
WO	02089900	A1	11/2002
WO	03051423	A2	6/2003
WO	03070147	A2	8/2003
WO	03079956	A1	10/2003
WO	2004041148	A1	5/2004
WO	2005002492	A1	1/2005
WO	2005041846	A2	5/2005
WO	2005105014	A2	11/2005
WO	2006099441	A2	9/2006
WO	2007015233	A1	2/2007
WO	2007017868	A1	2/2007
WO	2007052252	A1	5/2007
WO	2007101772	A1	9/2007
WO	2007105221	A1	9/2007
WO	2008081424	A2	7/2008
WO	2008126090	A1	10/2008
WO	2009026443	A2	2/2009
WO	2009029010	A1	3/2009
WO	2009038860	A2	3/2009
WO	2009040804	A2	4/2009
WO	2009087572	A1	7/2009
WO	2009093249	A1	7/2009
WO	2009112489	A1	9/2009
WO	2009146088	A1	12/2009
WO	2010061743	A1	6/2010
WO	2010117580	A1	10/2010
WO	2011039747	A1	4/2011
WO	2011058545	A1	5/2011
WO	2011058548	A1	5/2011
WO	2011077434	A1	6/2011
WO	2011104711	A1	9/2011
WO	2012063230	A1	5/2012
WO	201243921	A1	10/2012
WO	2013127813	A1	9/2013
WO	2013134246	A1	9/2013
WO	2013156944	A1	10/2013
WO	2014033706	A2	3/2014
WO	2014033710	A1	3/2014

OTHER PUBLICATIONS

Office Action issued Apr. 9, 2015 in U.S. Appl. No. 13/883,289 by Lev.

Office Action issued May 28, 2015 in U.S. Appl. No. 14/391,792 by Lev.

Written Opinion issued Jul. 31, 2013 in Int'l Application No. PCT/IL2013/050313.

Int'l Preliminary Report on Patentability issued May 12, 2014 in Int'l Application No. PCT/IL2013/050316.

Office Action issued Jul. 31, 2014 in U.S. Appl. No. 29/438,141 by Gilboa.

U.S. Appl. No. 14/385,212 by Lev, filed Sep. 15, 2014.

U.S. Appl. No. 29/502,053 by Lev, filed Sep. 11, 2014.

Office Action issued Aug. 24, 2015 in U.S. Appl. No. 14/366,306 by Lev.

Office Action issued Mar. 10, 2015 in EP Application No. 12 812 395.7.

Office Action issued Aug. 7, 2015 in JP Application No. 2015-529206.

U.S. Appl. No. 14/391,792 by Lev, filed Oct. 10, 2014.

U.S. Appl. No. 14/504,979 by Lev, filed Oct. 2, 2014.

Int'l Search Report and Written Opinion issued Sep. 2, 2014 in Int'l Application No. PCT/IL2014/050405.

Int'l Search Report and Written Opinion issued Oct. 17, 2014 in Int'l Application No. PCT/IL2014/050680.

English translation of an Office Action issued Aug. 28, 2014 in JP Application No. 2013-168885.

Written Opinion issued Jun. 5, 2013 in Int'l Application No. PCT/IL2012/050407.

Int'l Preliminary Report on Patentability issued Aug. 20, 2014 in Int'l Application No. PCT/IL2012/050407.

Office Action issued Jan. 2, 2015 in U.S. Appl. No. 29/438,141 by Gilboa.

Office Action issued Jan. 5, 2015 in U.S. Appl. No. 29/413,220 by Lev.

Office Action issued Jan. 7, 2015 in U.S. Appl. No. 29/438,134 by Lev.

U.S. Appl. No. 14/423,595 by Lev, filed Feb. 24, 2015.

U.S. Appl. No. 14/423,612 by Lev, filed Feb. 24, 2015.

U.S. Appl. No. 14/425,582 by Lev, filed Mar. 3, 2015.

Office Action issued Mar. 6, 2012 in U.S. Appl. No. 12/678,928.

Int'l Search Report issued Feb. 3, 2011 in Int'l Application No. PCT/IL2010/000777; Written Opinion.

Int'l Search Report issued Mar. 17, 2011 in Int'l Application No. PCT/IL2010/000854; Written Opinion.

Int'l Search Report issued Mar. 17, 2011 in Int'l Application No. PCT/IL2010/000915; Written Opinion.

U.S. Appl. No. 13/505,790 by Lev, filed May 3, 2012.

U.S. Appl. No. 13/505,881 by Lev, filed May 3, 2012.

U.S. Appl. No. 13/522,410 by Lev, filed Jul. 16, 2012.

U.S. Appl. No. 13/576,461 by Lev, filed Aug. 1, 2012.

Office Action issued Jun. 14, 2012 in U.S. Appl. No. 29/376,980.

Office Action issued Jun. 15, 2012 in U.S. Appl. No. 29/413,170.

Office Action issued Jun. 21, 2012 in U.S. Appl. No. 12/596,167.

Alaris Medical Systems Product Brochure, 4 pages, Issue 1, Oct. 11, 1999.

Smart Site Needle-Free Systems, Alaris Medical Systems Webpage, 4 pages, Feb. 2006.

Photographs of Alaris Medical Systems SmartSite.RTM. device, 5 pages, 2002.

Non-Vented Vial Access Pin with ULTRASITE.RTM. Valve, B. Braun Medical, Inc. website and product description, 3 pages, Feb. 2006.

Int'l Search Report issued Aug. 16, 2012 in Int'l Application No. PCT/IL2012/000164.

U.S. Appl. No. 29/438,134 by Lev, filed Nov. 27, 2012.

U.S. Appl. No. 29/438,141 by Gilboa, filed Nov. 27, 2012.

Int'l Search Report issued Jan. 22, 2013 in Int'l Application No. PCT/IL2012/000354.

Int'l Search Report issued Mar. 18, 2013 in Int'l Application No. PCT/IL2012/050516.

Office Action issued Apr. 2, 2013 in U.S. Appl. No. 13/505,790.

Int'l Search Report and Written Opinion issued Mar. 6, 2012 in Int'l Application No. PCT/IL2011/000834.

U.S. Appl. No. 13/883,289 by Lev, filed May 3, 2013.

Int'l Search Report & Written Opinion issued on Mar. 7, 2012 in Int'l Application No. PCT/IL2011/000829.

U.S. Appl. No. 13/884,981 by Denenburg, filed May 13, 2013.

Office Action issued May 31, 2013 in U.S. Appl. No. 13/505,790.

Int'l Search Report issued Jun. 5, 2013 in Int'l Application No. PCT/IL2012/050407.

Int'l Search Report issued Jun. 19, 2013 in Int'l Application No. PCT/IL2013/050167.

Int'l Search Report issued Jul. 1, 2013 in Int'l Application No. PCT/IL2013/050180.

Int'l Search Report issued Jul. 31, 2013 in Int'l Application No. PCT/IL2013/050313.

Int'l Search Report issued Jul. 26, 2013 in Int'l Application No. PCT/IL2013/050316.

English translation of an Office Action issued Jun. 19, 2013 in JP Application No. 2012-531551.

Office Action issued Aug. 20, 2013 in U.S. Appl. No. 13/576,461 by Lev.

Int'l Preliminary Report on Patentability issued Aug. 28, 2012 in Int'l Application No. PCT/IL2011/000186.

English translation of an Office Action issued Jul. 26, 2013 in JP Application No. 2012-538464.

International Search Report Issued Jan. 23, 2007 in Int'l Application No. PCT/IL/2006/001228.

(56)

References Cited

OTHER PUBLICATIONS

IV disposables sets catalogue, Cardinal Health, Alaris® products, SmartSite® access devices and accessories product No. 10013365, SmartSite add-on bag access device with spike adapter and needle-free valve bag access port, pp. 1-5, Fall edition (2007).

Drug Administration Systems product information sheets; <http://www.westpharma.com/eu/en/products/Pages/Vial2Bag.aspx>; pp. 1-3.

Office Action Issued Jun. 8, 2010 in U.S. Appl. No. 12/112,490 by Zinger.

Office Action issued Sep. 28, 2010 in U.S. Appl. No. 12/112,490 by Zinger.

Article with picture of West Pharmaceutical Services' Vial2Bag Needleless System, [on-line]; ISIPS Newsletter, Oct. 26, 2007; retrieved from Internet Feb. 16, 2010; URL:<http://www.isips.org/reports/ISIPS_Newsletter_October_26_2007.html> (7 pages. see pp. 5-6).

Office Action issued Jun. 15, 2011 in JP Application No. 2008-538492.

Translation of Office Action issued Jun. 18, 2012 in JP Application No. 2008-538492.

Translation of Office Action issued Apr. 15, 2013 in JP Application No. 2008-538492.

Office Action issued Jul. 13, 2012 in U.S. Appl. No. 12/112,490 by Zinger.

Office Action issued Jan. 23, 2013 in U.S. Appl. No. 12/112,490 by Zinger.

Int'l Preliminary Report on Patentability issued May 6, 2008 in Int'l Application No. PCT/IL2006/001228.

Written Opinion issued Aug. 16, 2012 in Int'l Application No. PCT/IL2012/000164.

English translation of an Office Action issued Sep. 10, 2013 in JP Application No. 2012-554468.

Office Action issued Nov. 11, 2013 in IL Application No. 218730.

Grifols Vial Adapter Product Literature, 2 pages, Jan. 2002.

Novel Transfer, Mixing and Drug Delivery Systems, MOP Medimop Medical Projects Ltd. Catalog, 4 pages, Rev. 4, 2004.

Office Action Issued Oct. 6, 2003 in U.S. Appl. No. 10/062,796.

Office Action Issued Feb. 22, 2005 in U.S. Appl. No. 10/062,796.

Office Action Issued Oct. 5, 2005 in U.S. Appl. No. 10/062,796.

Office Action Issued Feb. 20, 2009 in U.S. Appl. No. 11/694,297.

Int'l Search Report Issued Dec. 6, 2006 in Int'l Application No. PCT/IL2006/000912.

Int'l Preliminary Report on Patentability Issued Dec. 4, 2007 in Int'l Application No. PCT/IL2006/000912.

<http://www.westpharma.com/en/products/Pages/Mixject.aspx>.

<http://www.westpharma.com/SiteCollectionDocuments/Recon/mixject%20product%20sheet.pdf>; MIXJECT product information sheet pp. 1.

Int'l Search Report Issued Jul. 27, 2007 in Int'l Application No. PCT/IL2007/000343.

Int'l Preliminary Report on Patentability Issued Jun. 19, 2008 in Int'l Application No. PCT/IL2007/000343.

Int'l Search Report Issued Mar. 27, 2009 in Int'l Application No. PCT/US2008/070024.

Int'l Search Report Issued Oct. 17, 2005 in Int'l Application No. PCT/IL2005/000376.

Int'l Preliminary Report on Patentability Issued Jun. 19, 2006 in Int'l Application No. PCT/IL2005/000376.

Written Opinion of ISR Issued Jun. 19, 2006 in Int'l Application No. PCT/IL2005/000376.

Int'l Search Report Issued Aug. 25, 2008 in Int'l Application No. PCT/IL2008/000517.

Written Opinion of the ISR Issued Oct. 17, 2009 in Int'l Application No. PCT/IL08/00517.

Int'l Preliminary Report on Patentability Issued Oct. 20, 2009 in Int'l Application No. PCT/IL2008/000517.

Written Opinion of the Int'l Searching Authority Issued Oct. 27, 2008 in Int'l Application No. PCT/US2008/070024.

Int'l Search Report Issued Mar. 12, 2009 in Int'l Application No. PCT/IL2008/001278.

Office Action Issued Jan. 20, 2010 in JP Application No. 2007-510229.

Office Action Issued Apr. 20, 2010 in U.S. Appl. No. 11/997,569.

Int'l Search Report dated Nov. 20, 2006 in Int'l Application No. PCT/IL2006/000881.

Office Action Issued May 27, 2010 in U.S. Appl. No. 11/559,152.

Decision to Grant mailed Apr. 12, 2010 in EP Application No. 08738307.1.

Office Action issued Jun. 1, 2010 in U.S. Appl. No. 11/568,421.

Office Action issued Nov. 12, 2010 in U.S. Appl. No. 29/334,697.

The MixJect transfer system, as shown in the article, "Advanced Delivery Devices," Drug Delivery Technology Jul./Aug. 2007 vol. 7 No. 7 [on-line]. [Retrieved from Internet May 14, 2010.] URL:<<http://www.drugdeliverytech-online.com/drugdelivery/200707/?pg=28pg28>>. (3 pages).

Publication date of Israeli Patent Application 186290 [on-line]. [Retrieved from Internet May 24, 2010]. URL:<<http://www.ilpatsearch.justice.gov.il/UI/RequestsList.aspx>>. (1 page).

Int'l Search Report issued Nov. 25, 2010 in Int'l Application No. PCT/IL2010/000530.

Office Action issued Feb. 7, 2011 in U.S. Appl. No. 12/783,194.

Office Action issued Dec. 20, 2010 in U.S. Appl. No. 12/063,176.

Office Action issued Dec. 13, 2010 in U.S. Appl. No. 12/293,122.

Office Action issued Nov. 29, 2010 in U.S. Appl. No. 11/568,421.

Office Action issued Dec. 23, 2010 in U.S. Appl. No. 29/334,696.

Int'l Search Report issued on Mar. 17, 2011 in Int'l Application No. PCT/IL2010/000854.

Overview—Silicone Rubber [retrieved from http://www.knovel.com/web/portal/browse/display?_EXT_KNOVEL_DISPLAY_bookid=1023&VerticalID=0 on Feb. 9, 2011].

Int'l Search Report issued on Mar. 17, 2011 in Int'l Application No. PCT/IL2010/00915.

Office Action Issued May 12, 2011 in U.S. Appl. No. 12/063,176.

Office Action issued Jul. 11, 2011 in U.S. Appl. No. 12/293,122.

Int'l Search Report issued Jul. 12, 2011 in Int'l Application No. PCT/IL2011/000187.

Int'l Search Report issued Jul. 12, 2011 in Int'l Application No. PCT/IL2011/000186.

Office Action issued Aug. 3, 2011 in JP Application No. 2008-525719.

Int'l Search Report issued Oct. 7, 2011 in Int'l Application No. PCT/IL2011/000511.

Int'l Search Report issued Mar. 6, 2012 in Int'l Application No. PCT/IL2011/000834; Written Opinion.

Office Action issued Mar. 1, 2012 in JP Application No. 2007-510229.

Int'l Search Report issued Mar. 7, 2012 in Int'l Application No. PCT/IL2011/000829; Written Opinion.

Office Action issued Mar. 13, 2012 in CA Application No. 2,563,643. Office Action issued Mar. 1, 2012 in CN Application No. 2008801108283.4.

U.S. Appl. No. 29/478,723 by Lev, filed Jan. 8, 2014.

U.S. Appl. No. 29/478,726 by Lev, filed Jan. 8, 2014.

Office Action issued Jan. 2, 2014 in U.S. Appl. No. 13/505,881 by Lev.

Int'l Preliminary Report on Patentability issued Sep. 24, 2013 in Int'l Application No. PCT/IL2012/000354.

Office Action issued Feb. 13, 2014 in U.S. Appl. No. 13/884,981 by Denenburg.

U.S. Appl. No. 14/345,094 by Lev, filed Mar. 14, 2014.

Int'l Search Report and Written Opinion issued Jan. 7, 2014 in Int'l Application No. PCT/IL2012/050721.

English translation of an Office Action issued Jan. 9, 2014 in JP Application No. 2010-526421.

English translation of an Office Action issued Dec. 4, 2013 in CN Application No. 201080051210.3.

English translation of an Office Action issued Dec. 25, 2013 in CN Application No. 201180006530.1.

Office Action issued Nov. 28, 2013 in IN Application No. 4348/DELNP/2008.

(56)

References Cited

OTHER PUBLICATIONS

Office Action issued Oct. 8, 2013 in CN Application No. 201080043825.1.

English translation of an Office Action issued Feb. 4, 2014 in JP Application No. 2012-554468.

Office Action issued Jan. 17, 2014 in CN Application No. 201180006534.X.

Int'l Search Report and Written Opinion issued May 8, 2014 in Int'l Application No. PCT/IL2013/050706.

English translation of an Office Action issued Apr. 28, 2014 in JP Application No. 2013-537257.

Int'l Preliminary Report on Patentability issued Jan. 14, 2014 in Int'l Application No. PCT/IL2012/050516.

Office Action issued May 6, 2014 in U.S. Appl. No. 13/505,881 by Lev.

U.S. Appl. No. 14/366,306 by Lev, filed Jun. 18, 2014.

Office Action issued Apr. 17, 2014 in CN Application No. 201080051201.4.

Int'l Search Report and Written Opinion issued Jul. 16, 2014 in Int'l Application No. PCT/IL2014/050327.

English translation of an Office Action issued Jun. 30, 2014 in CN Application No. 201180052962.6.

Extended European Search Report issued Jun. 3, 2014 in EP Application No. 08781828.2.

Written Opinion issued Jul. 1, 2013 in Int'l Application No. PCT/IL2013/050180.

Int'l Preliminary Report on Patentability issued Apr. 1, 2014 in Int'l Application No. PCT/IL2013/050180.

Office Action issued Dec. 9, 2015 in U.S. Appl. No. 29/478,723 by Lev.

West, Vial2Bag DC system, Oct. 2, 2014, <https://web.archive.org/web/20141002065133/http://www.westpharma.com/en/products/Pages/Reconstitutionsystems.aspx>.

Youtube.com, Vial2Bag DC, Aug. 21, 2014, <https://www.youtube.com/watch?v=FEOkglxNBrs>.

Office Action issued Dec. 9, 2015 in U.S. Appl. No. 29/478,726 by Lev.

Notice of Allowance issued Jan. 12, 2016 in U.S. Appl. No. 14/385,212 by Lev.

Written Opinion issued Apr. 10, 2015 in Int'l Application No. PCT/IL2014/050405.

Response to Written Opinion dated Mar. 9, 2015 in Int'l Application No. PCT/IL2014/050405.

Int'l Preliminary Report on Patentability issued Aug. 24, 2015 in Int'l Application No. PCT/IL2014/050405.

U.S. Appl. No. 14/888,590 by Marks, filed Nov. 2, 2015.

U.S. Appl. No. 14/784,300 by Lev, filed Oct. 14, 2015.

Office Action issued Oct. 5, 2015 in U.S. Appl. No. 14/385,212 by Lev.

U.S. Appl. No. 29/544,969 by Ben Shalom, filed Nov. 9, 2015.

Office Action issued Mar. 25, 2016 in U.S. Appl. No. 29/478,726 by LEV.

* cited by examiner

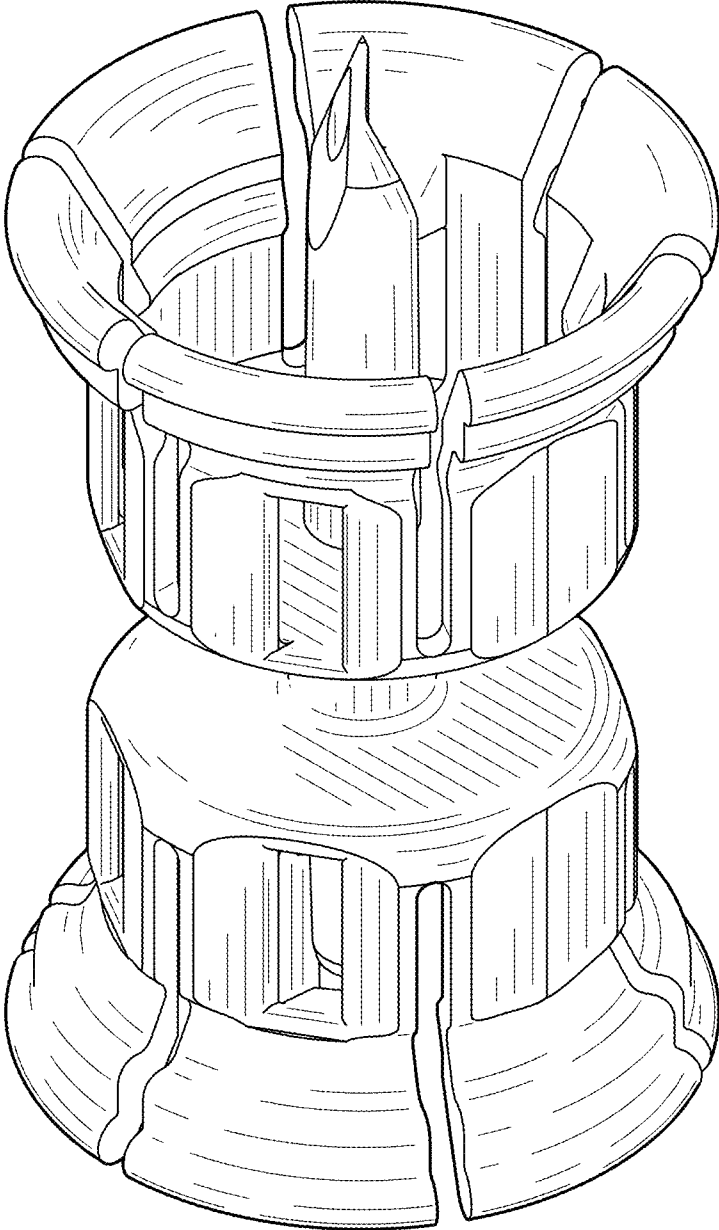


FIG.1

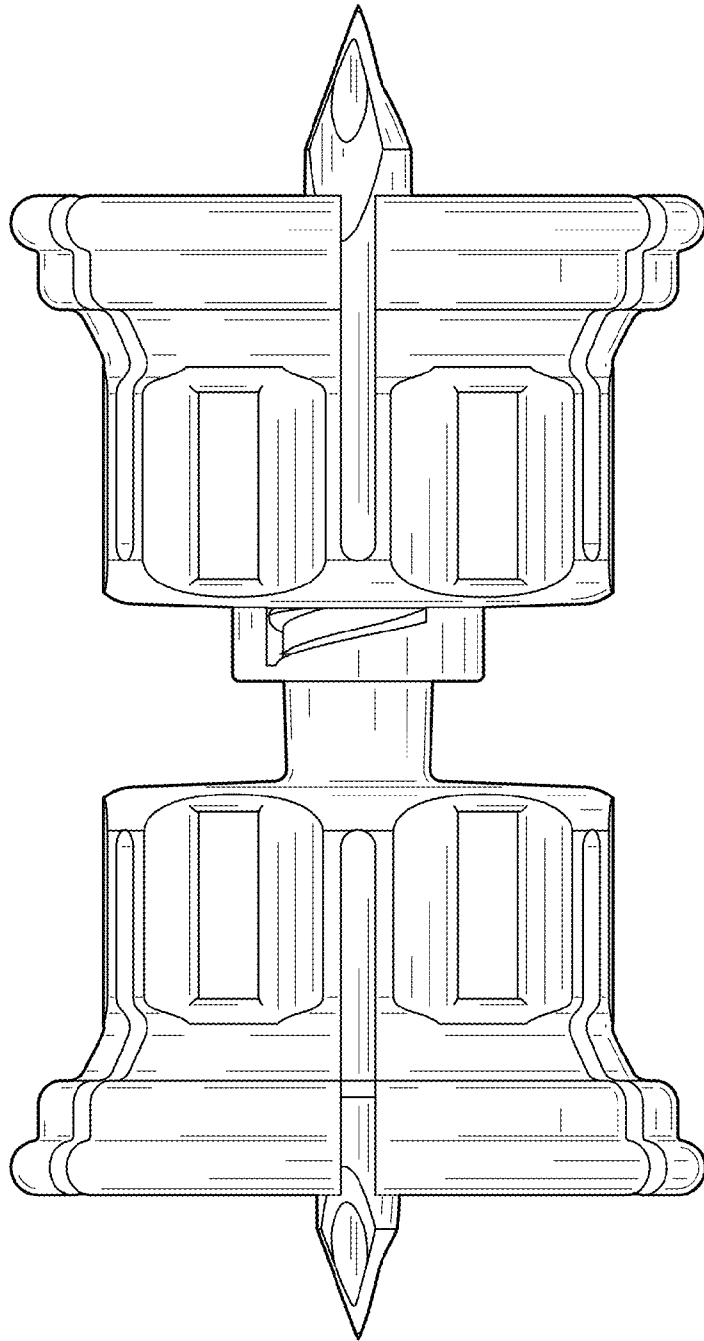


FIG.2

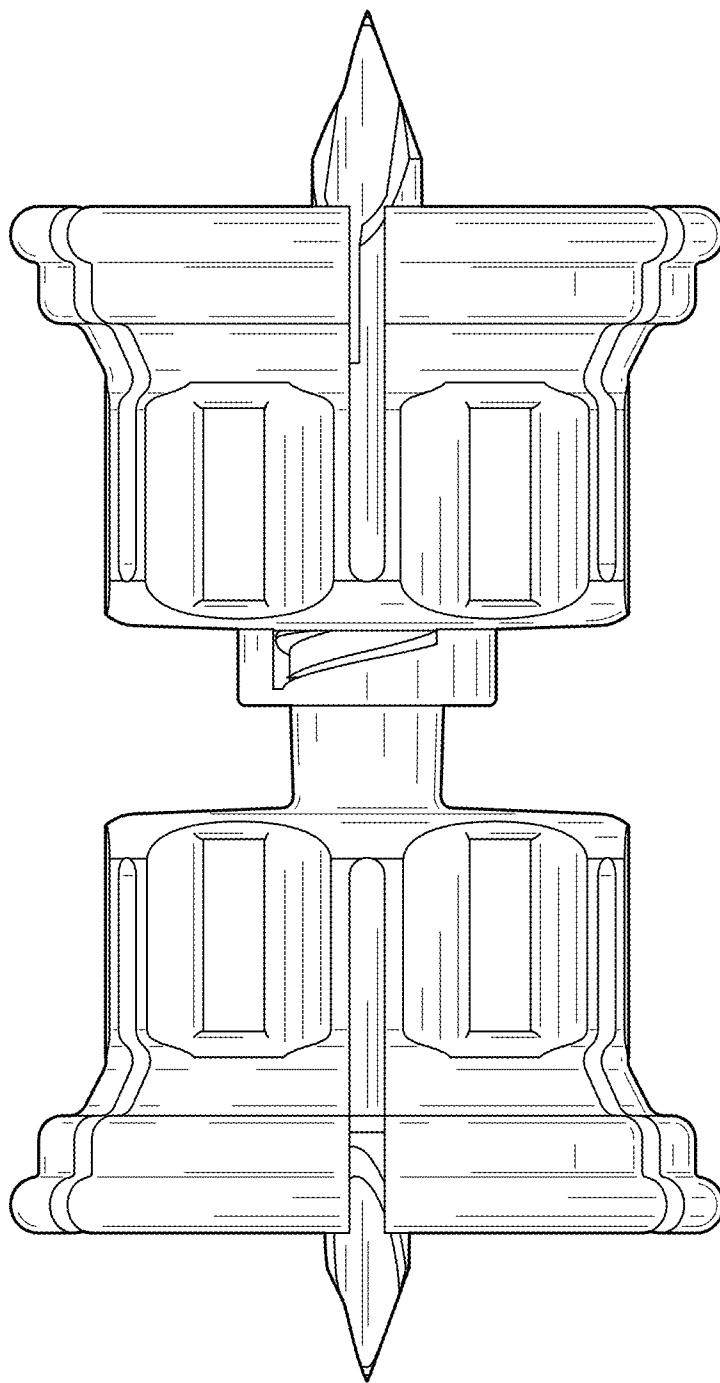


FIG.3

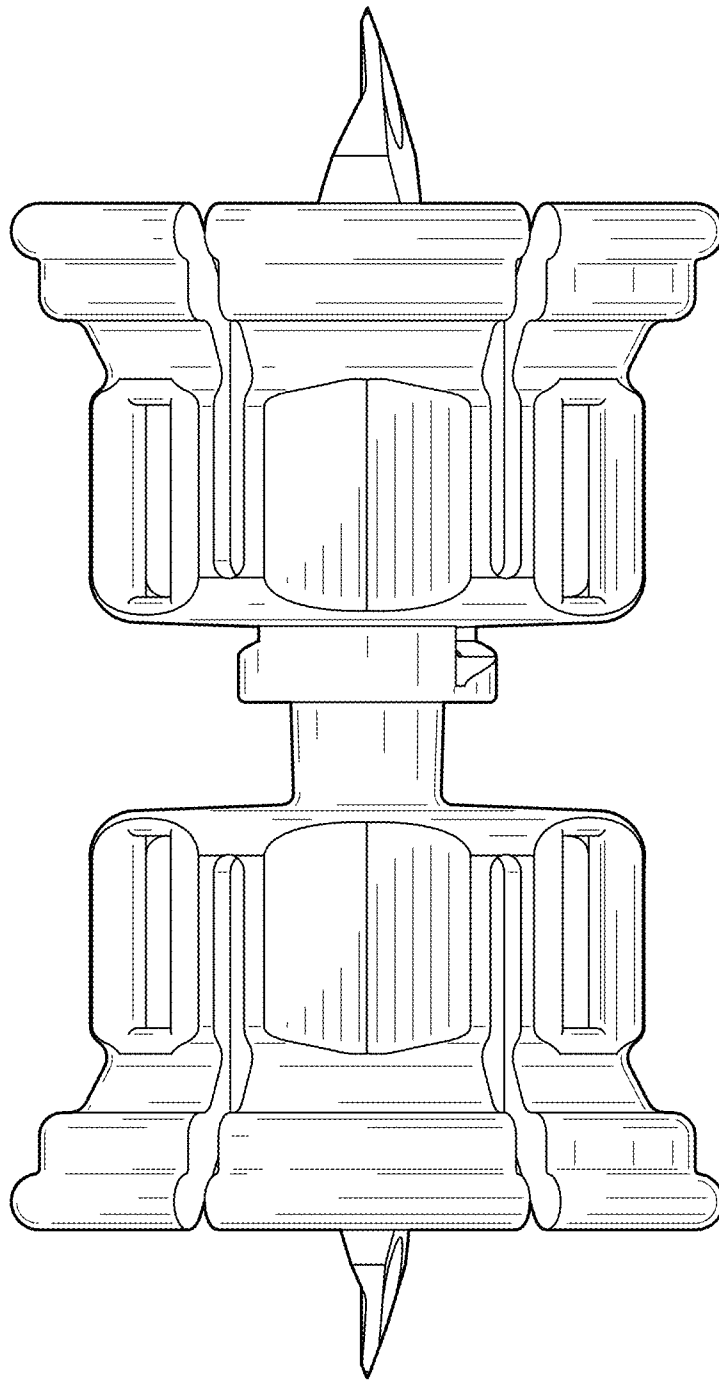


FIG.4

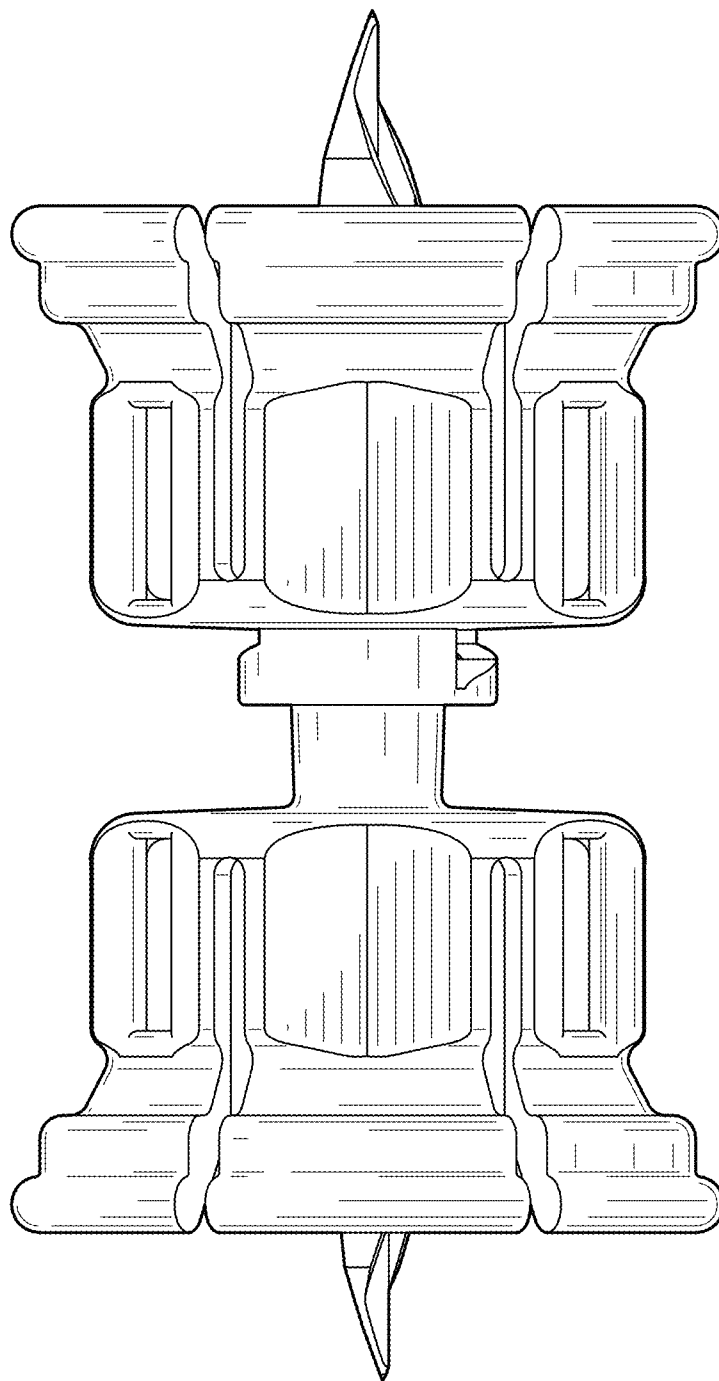


FIG. 5

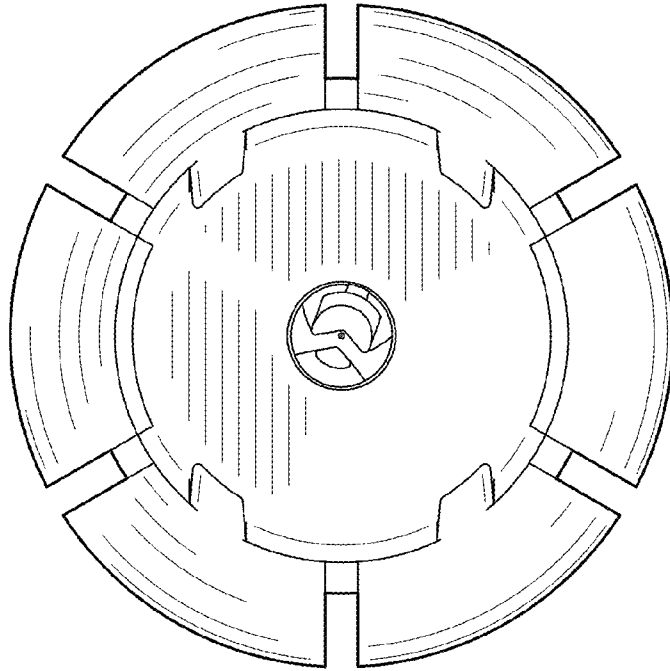


FIG. 6

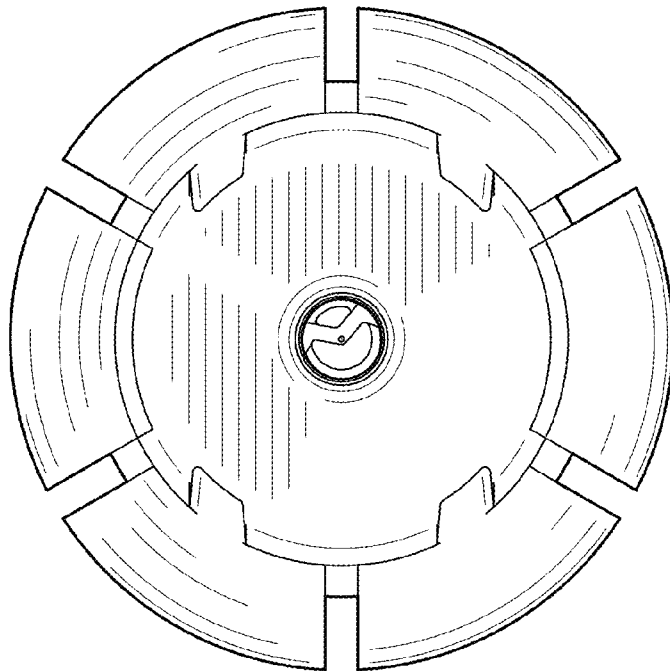


FIG. 7