

(19) World Intellectual Property Organization
International Bureau



(43) International Publication Date
14 September 2006 (14.09.2006)

PCT

(10) International Publication Number
WO 2006/095336 A3

- (51) International Patent Classification:
G06K 9/00 (2006.01) H04N 7/18 (2006.01)
A61B 1/04 (2006.01)
- (21) International Application Number:
PCT/IL2006/000290
- (22) International Filing Date: 2 March 2006 (02.03.2006)
- (25) Filing Language: English
- (26) Publication Language: English
- (30) Priority Data:
167302 8 March 2005 (08.03.2005) IL
167303 8 March 2005 (08.03.2005) IL
172569 14 December 2005 (14.12.2005) IL

(81) Designated States (unless otherwise indicated, for every kind of national protection available): AE, AG, AL, AM, AT, AU, AZ, BA, BB, BG, BR, BW, BY, BZ, CA, CH, CN, CO, CR, CU, CZ, DE, DK, DM, DZ, EC, EE, EG, ES, FI, GB, GD, GE, GH, GM, HR, HU, ID, IL, IN, IS, JP, KE, KG, KM, KN, KP, KR, KZ, LC, LK, LR, LS, LT, LU, LV, LY, MA, MD, MG, MK, MN, MW, MX, MZ, NA, NG, NI, NO, NZ, OM, PG, PH, PL, PT, RO, RU, SC, SD, SE, SG, SK, SL, SM, SY, TJ, TM, TN, TR, TT, TZ, UA, UG, US, UZ, VC, VN, YU, ZA, ZM, ZW.

(71) Applicant (for all designated States except US):
TRUPHATEK INTERNATIONAL LTD [IL/IL];
Po Box 8051, 42504 Netanya (IL).

(84) Designated States (unless otherwise indicated, for every kind of regional protection available): ARIPO (BW, GH, GM, KE, LS, MW, MZ, NA, SD, SL, SZ, TZ, UG, ZM, ZW), Eurasian (AM, AZ, BY, KG, KZ, MD, RU, TJ, TM), European (AT, BE, BG, CH, CY, CZ, DE, DK, EE, ES, FI, FR, GB, GR, HU, IE, IS, IT, LT, LU, LV, MC, NL, PL, PT, RO, SE, SI, SK, TR), OAPI (BF, BJ, CF, CG, CI, CM, GA, GN, GQ, GW, ML, MR, NE, SN, TD, TG).

- (72) Inventors; and
- (75) Inventors/Applicants (for US only): PECHERER, Eugeny [IL/IL]; 14 Givaty Street, 42140 Netanya (IL). SOFFER, Shiri [IL/IL]; 1 Herzog Street, 62915 Tel Aviv (IL).

Published:
— with international search report

(88) Date of publication of the international search report:
30 April 2009

(54) Title: HANDHELD PORTABLE MEDICAL VIEWING ASSEMBLY FOR DISPLAYING MEDICAL IMAGES DURING ENDOTRACHEAL INTUBATION, AND INTUBATION STYLET FOR USE THEREWITH

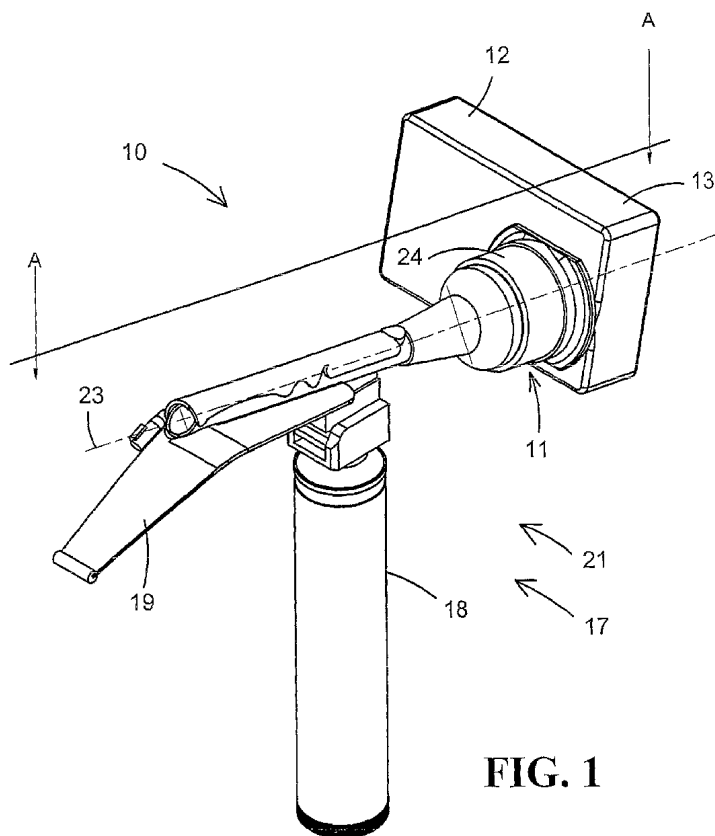


FIG. 1

(57) Abstract: Adaptor for mounting a handheld portable consumer device having a built-in digital camera (12) and a display screen on a handheld portable laryngoscope (17) having an optical system (13) for "viewing a subject's laryngeal region during endotracheal intubation for rendering a handheld portable medical viewing assembly for displaying medical images of subject laryngeal region during endotracheal intubation.

WO 2006/095336 A3

INTERNATIONAL SEARCH REPORT

International application No.
PCT/IL06/00290

A. CLASSIFICATION OF SUBJECT MATTER
 IPC: G06K 9/00(2006.01);A61B 1/04(2006.01);H04N 7/18(2006.01)
 USPC: 382/128;600/118,194;348/77
 According to International Patent Classification (IPC) or to both national classification and IPC

B. FIELDS SEARCHED

Minimum documentation searched (classification system followed by classification symbols)
 U.S. : 382/128;600/118,194;348/77

Documentation searched other than minimum documentation to the extent that such documents are included in the fields searched

Electronic data base consulted during the international search (name of data base and, where practicable, search terms used)

C. DOCUMENTS CONSIDERED TO BE RELEVANT

Category *	Citation of document, with indication, where appropriate, of the relevant passages	Relevant to claim No.
A	US 5,951,461 A (NYO et al) 14 September 1999, whole document.	1-14
A	US 5,842,973 A (BULLARD) 01 December 1998, whole document.	1-14
A	US 5,973,728 A (LEVITAN) 26 October 1999, whole document.	1-14

Further documents are listed in the continuation of Box C. See patent family annex.

* Special categories of cited documents:		
"A"	document defining the general state of the art which is not considered to be of particular relevance	"T" later document published after the international filing date or priority date and not in conflict with the application but cited to understand the principle or theory underlying the invention
"B"	earlier application or patent published on or after the international filing date	"X" document of particular relevance; the claimed invention cannot be considered novel or cannot be considered to involve an inventive step when the document is taken alone
"L"	document which may throw doubts on priority claim(s) or which is cited to establish the publication date of another citation or other special reason (as specified)	"Y" document of particular relevance; the claimed invention cannot be considered to involve an inventive step when the document is combined with one or more other such documents, such combination being obvious to a person skilled in the art
"O"	document referring to an oral disclosure, use, exhibition or other means	
"P"	document published prior to the international filing date but later than the priority date claimed	"&" document member of the same patent family

Date of the actual completion of the international search 03 October 2007 (03.10.2007)	Date of mailing of the international search report 23 JUL 2008
Name and mailing address of the ISA/US Mail Stop PCT, Attn: ISA/US Commissioner for Patents P.O. Box 1450 Alexandria, Virginia 22313-1450 Facsimile No. (571) 273-3201	Authorized officer Abolfazl Tabatabai Telephone No. 571-272-7458 SAMIR AHMED PRIMARY EXAMINER