

(12) STANDARD PATENT
(19) AUSTRALIAN PATENT OFFICE

(11) Application No. **AU 2008200101 B2**

(54) Title
One-way valve for medical infusion lines and the like

(51) International Patent Classification(s)
A61M 39/24 (2006.01) **F16K 15/14** (2006.01)
A61M 39/00 (2006.01)

(21) Application No: **2008200101** (22) Date of Filing: **2008.01.08**

(30) Priority Data

(31) Number	(32) Date	(33) Country
TO2007A000023	2007.01.17	IT

(43) Publication Date: **2008.07.31**

(43) Publication Journal Date: **2008.07.31**

(44) Accepted Journal Date: **2013.08.15**

(71) Applicant(s)
Industrie Borla S.p.A

(72) Inventor(s)
Guala, Gianni

(74) Agent / Attorney
Phillips Ormonde Fitzpatrick, 367 Collins Street, Melbourne, VIC, 3000

(56) Related Art
EP 1099456
EP 1093828
EP 1099457

ABSTRACT

5 Check valve (6) for medical infusion lines and the like, comprising a diaphragm made of elastic material set between a first tubular connector (2) and a
10 second tubular connector (3) and constituted by the end wall (8) of a cup-shaped element (7), the outer peripheral edge (8a) of which is normally pressed in seal contact against an annular valve seat with conical surface (12) of the first tubular connector (2) under the axial thrust exerted by the side wall (9) of the cup-shaped element (7). The free edge (9a) of the side wall (9) of the cup-shaped element (7) is set resting against a transverse surface (14) of the second tubular connector (3) only in regions corresponding to angular portions (17) of the latter separated by non-resting angular portions (18).

(Figure 1)

2008200101 08 Jan 2008

AUSTRALIA

Patents Act

**COMPLETE SPECIFICATION
(ORIGINAL)**

Class Int. Class

Application Number:
Lodged:

Complete Specification Lodged:
Accepted:
Published:

Priority

Related Art:

Name of Applicant:

Industrie Borla S.p.A

Actual Inventor(s):

Gianni Guala

Address for Service and Correspondence:

PHILLIPS ORMONDE & FITZPATRICK
Patent and Trade Mark Attorneys
367 Collins Street
Melbourne 3000 AUSTRALIA

Invention Title:

ONE-WAY VALVE FOR MEDICAL INFUSION LINES AND THE LIKE

Our Ref : 819345
POF Code: 192558/478561

The following statement is a full description of this invention, including the best method of performing it known to applicant(s):

“ONE-WAY VALVE FOR MEDICAL INFUSION LINES AND THE LIKE”

This application claims priority from Italian Application No.TO2007A000023 filed on 17 January 2007, the contents of which are to be taken as incorporated herein by this reference.

Field of the invention

5 The present invention relates to one-way valves for medical infusion lines and the like, of the type generally comprising a first tubular element and a second tubular element, which define, respectively, a passage upstream and a passage downstream, which are coaxial to one another and set transversely between which is a diaphragm made of elastically deformable material, which co-operates in a
10 fluid-tight way with the annular valve seat of the first tubular element to keep the valve normally closed. A predetermined pressure of fluid in the passage upstream brings about a displacement or an elastic deformation of the diaphragm and consequent opening of the valve, i.e., opening of the communication between the passage upstream and the passage downstream through channels formed in the
15 two tubular elements.

Valves of the above sort are used, for example, as check valves, which are purposely designed so as to open when the pressure in the passage upstream is higher than a predetermined, relatively modest, threshold value and then to reclose promptly so as to prevent, with the maximum degree of safety, any reflux from the
20 passage downstream to the passage upstream as soon as the pressure in the latter drops back below the threshold value, or else in the case of an albeit minimal overpressure within the passage downstream.

State of the prior art

German patent No. DE-C-19545421 filed in the name of Filtertek describes
25 a check valve of the above sort expressly designed for operating in a range of pressures comprised between 0.1 and 0.02 bar. The diaphragm of the valve is constituted by a disk obtained by dinking from a silicone ribbon and the circumferencial edge of which is gripped between the two tubular elements of the valve. The disk is axially pre-loaded so that it rests at the front against the valve
30 seat, defined by an axial annular projection of the first tubular element, and can be axially moved away therefrom when the pressure in the passage upstream falls within the range mentioned above.

A valve of the type referred to above, however simple and inexpensive thanks to the elementary shape of its diaphragm and to the simple process of
35 production thereof by means of dinking, does not appear to be able to guarantee

the necessary sensitivity and promptness for pressure values lower than the minimum one (0.02 bar) for which it is expressly designed.

In order to solve the above problem, and in particular to provide a check valve suitable for operating with the maximum safety and reliability with pressures in the passage upstream even markedly lower than 0.02 bar, the present applicant has proposed in his own European patent No. EP-B-1099457 a solution in which the diaphragm is constituted by the end wall of a particular cup-shaped element, obtained by injection moulding of silicone. Said end wall of the cup-shaped element has centrally an annular projection, which defines a seal lip co-operating at the front with the annular valve seat of the first tubular element, under the action of an axial preloading applied by the side wall of the cup-shaped element.

Even though this solution is constructionally more complex and hence more costly than the solution according to the document No. DE-C-19545421, it has in practice proven perfectly capable of achieving the desired effects.

On the other hand, the present applicant has proposed in European Patent No. EP-B-1093828 a similar valve, expressly designed, however, for use as anti-siphon valve, i.e., for medical applications with pressures in the passage upstream typically comprised between 1 and 5 psi (from approximately 0.07 to 0.35 bar). In this valve, the annular valve seat is defined by a wall with conical surface of the first tubular element, diverging towards the second tubular element, and also in this case the diaphragm is constituted by the end wall of a cup-shaped element, which, however, is pressed in seal contact against the annular seat with conical surface in a region corresponding to its own outer peripheral edge, also in this case under the axial thrust exerted by the side wall of the cup-shaped element. In operation, the pressure of fluid at the values indicated above in the passage upstream produces an axial displacement of the end wall of the cup-shaped element in the direction of the second tubular element, as a result of which the corresponding outer peripheral edge contracts radially moving away from the annular valve seat with a radial component.

This operation, which guarantees a surprising promptness and immediacy of opening of the valve, is in principle similar to what is described in European Patent No. EP-B-0791371, which is also in the name of the present applicant, with reference to a medical connector with protection valve that can be activated via a luer-lock connector.

A reference herein to a patent document or other matter which is given as prior art is not to be taken as an admission or a suggestion that the document or matter was known or that the information it contains was part of the common general knowledge as at the priority date of any of the claims.

5

Summary of the invention

It would be desirable to improve further the functional characteristics of the check valve according to European Patent No. EP-B-1099457, exploiting the concept of the anti-siphon valve according to European Patent No. EP-1093828 so as to enable application thereof at operating pressures even markedly below 0.02 bar.

Viewed from one aspect, the present invention provides a one-way valve for medical infusion lines and the like, comprising a first tubular element and a second tubular element, which define, respectively, a passage upstream and a passage downstream, which are coaxial to one another and transversely set between which is a diaphragm made of elastically deformable material co-operating in a fluid-tight way with an annular valve seat of said first tubular element to keep said valve normally closed, in which a predetermined pressure of fluid in said passage upstream brings about a displacement or an elastic deformation of said diaphragm and consequent opening of said valve, and in which said annular valve seat is defined by a wall with conical surface of said first tubular element diverging towards said second tubular element, and said diaphragm is constituted by the end wall of a cup-shaped element, the outer peripheral edge of which is normally pressed in seal contact against said annular valve seat, under an axial thrust exerted by the side wall of said cup-shaped element, the deflection or axial displacement of said end wall of the cup-shaped element brought about in use by said predetermined pressure of fluid determining the radial contraction of said outer peripheral edge and its consequent separation from said annular valve seat, and in which said side wall of the cup-shaped element has its own free edge resting against a grooved transverse surface of said second tubular element communicating with said passage downstream, and having an array of radial channels, wherein said radial channels of said grooved transverse surface are separated by sectors alternatively raised and sunken defining angular resting portions angularly separated by angular non-resting

portions, said free edge of the side wall of said cup-shaped element being in contact only with said resting portions.

In this arrangement, the side wall of the cup-shaped element has an elastic compliance that is substantially higher than in the case where, as in the anti-siphon valve according to the document No. EP-B-1093828, its free edge is resting completely. This enables advantageous exploitation of the operating principle of the anti-siphon valve according to the document No. EP-B-1093828 for the applications typical of a medical check valve, i.e., with opening pressures even markedly below 0.02 bar.

The invention moreover envisages particular arrangements in relation to the structure and conformation of the cup-shaped element designed to improve further operation thereof, particularly in terms of promptness of opening and reclosing of the valve.

Where the terms “comprise”, “comprises”, “comprised” or “comprising” are used in this specification (including the claims) they are to be interpreted as specifying the presence of the stated features, integers, steps or components, but not precluding the presence of one or more other features, integers, steps or components, or group thereto.

Brief description of the drawings

The invention will now be described in detail with reference to the annexed drawings, which are provided purely by way of non-limiting example, and in which:

- Figure 1 is a schematic view in axial cross section of a check valve according to an embodiment of the invention:

- Figure 2 is a view similar to that of Figure 1, sectioned according to a different plane, partial and at an enlarged scale, of the check valve according to an embodiment of the invention;

- Figure 3 is an exploded perspective view, from beneath, of the valve; and

- Figure 4 is an exploded perspective view, from above, of the valve.

Detailed description of the invention

With reference to the drawings, the number 1 designates as a whole an axial union for tube-tube connection for medical lines for infusion, transfusion and the like. It should at once be noted that the union could also be arranged for luer-tube connections or else tube-luer connections or luer-luer connections or any other type of connection.

The union 1 comprises, in a way in itself generally known, a first tubular connector 2 and a second tubular connector 3 both normally made of a suitable moulded thermoplastic material, for example polycarbonate or similar materials, and joined axially in a permanent way to one another, for example, via ultrasound welding or else gluing, or equivalent systems.

The first and second tubular connectors 2, 3 define respectively, a passage upstream or inlet passage 4 and a passage downstream or outlet passage 5, which can be connected to respective sections of piping of a medical infusion line or the like.

Set between the passage upstream 4 and the passage downstream 5 is a check valve, designated as a whole by 6.

The check valve 6 basically comprises an elastic open/close element constituted by a cup-shaped element 7, represented in greater detail in Figures 3 and 4, which in Figures 1 and 2 is illustrated in its resting condition corresponding to closing of the valve 6. Said cup-shaped element 7 comprises a circular end wall 8, plane or more conveniently slightly convex, and a skirt or side wall 9 of a cylindrical shape, more conveniently with conical external surface diverging on the side opposite to the end wall 8.

As may be seen more clearly in Figures 1 and 2, the end wall 8 preferably has a variable thickness, greater in its central part and progressively decreasing towards its circumferential edge designated by 8a. The circumferential edge 8a can in turn present a reduced thickness, deriving from the presence of an external perimetral groove 9b.

Also the side wall 9 has a variable thickness progressively increasing

towards its free edge 9a, i.e., the edge opposite to the end wall 8.

With a structure of the above sort, the area of connection between the side wall 9 and the circumferential edge 8a of the end wall 8 has a minimum thickness that is considerably smaller than the maximum thickness of the side wall 9.

5 The circumferential edge 8a of the end wall 8 conveniently has a rounded profile.

The cup-shaped element 7 is normally made of a single piece of an injection-moulded soft elastomeric material, in particular liquid silicone or other rubber.

10 To return to Figures 1 and 2, the cup-shaped element 7 is inserted in a chamber 10 defined between the first tubular element 2 and the second tubular element 3, coaxially to said elements.

The chamber 10 is axially delimited on one side by a transverse wall 11 of the first tubular element 2, onto which the inlet passage 4 gives out and which is
15 delimited on the outside by a conical circumferential surface 12 diverging towards the second tubular element 3, which defines an annular valve seat. Between the inlet passage 4 and the annular valve seat 12, the wall 11 has an array of projections or else grooves 13 facing the end wall 8 of the cup-shaped element 7, which in the undeformed condition of the latter is set axially at a distance from the
20 wall 11.

On the opposite side, the chamber 10 is delimited by a transverse wall 14 of the second tubular connector 3, in a central area of which the outlet passage 5 gives out. The wall 14 is formed with an array of radial channels 15, which
25 communicate on one side with the outlet passage 5 and on the opposite side with respective axial channels 16 formed in the wall of the second tubular element 3 and facing the external surface of the side wall 9 of the cup-shaped element 7.

Said cup-shaped element 7 is housed coaxially within the chamber 10, with its end wall 8 facing, like a transverse diaphragm, the inlet passage 4 and with its side wall 9 facing, as has been said, the axial channels 16. The free edge 9a of the
30 side wall 9 rests on the transverse wall 14 of the second tubular element 3. According to the primary characteristic of the invention, it rests in a non-continuous way, in the sense that the free edge 9a is set resting upon the transverse wall 14 only in areas corresponding to angular portions separated by angular non-resting portions. This is obtained thanks to the fact that the radial channels 15 of
35 the transverse wall 14 are separated from one another by sectors (in the example

illustrated six in number, angularly set at the same distances apart from one another) that are alternately axially raised 17 and axially sunken 18. The free edge 9a is in contact with the raised sectors 17, whilst it is set at a distance from the sunken sectors 18, and is hence free in said areas.

5 The three raised sectors 17 are formed at the respective ends radially internal with respective axial projections 19, contained within the side wall 9 of the cup-shaped element 7 and projecting towards the end wall 8. Similar projections can possibly be provided also at the ends of the two sunken sectors 18.

10 In the closing condition of the valve 6 represented in Figure 1, the external circumferencial edge 8a of the end wall 8 rests against the valve seat with conical surface 12 of the first tubular element 2. The arrangement is such that the cup-shaped element is subjected to a predetermined axial elastic preloading: i.e., the peripheral edge 8a is kept elastically pressed in seal contact against the annular valve seat with conical surface 12 under the axial thrust exerted by the side wall 9,
15 as well as under the consequent component of radial thrust applied by the end wall 8 of the cup-shaped element 7 thanks to the conical conformation of the valve seat 11. This condition corresponds, as has been said, to the normally closed position of the check valve 6 according to the invention, in which the flow from the passage downstream 5 to the passage upstream 4 is prevented in a reliable and safe
20 way.

 When within the passage upstream 4 an overpressure is set up of an amount higher than a pre-set threshold value, the check valve 6 passes promptly from the closing condition to the opening condition following upon deflection, i.e., the axial displacement of the end wall 8 of the cup-shaped element 7 in the direction
25 of the second tubular element 3. Said displacement causes an elastic return of the circumferencial edge 8a and a consequent radial contraction thereof, which causes recession thereof in a radial-axial direction with respect to the valve seat 12. The valve 6 is thus opened so that the passage upstream 4 is set in communication with the passage downstream 5 through the axial channels 16 and the radial channels
30 15 set below the free edge 9a of the side wall 9.

 Contributing to the promptness of the elastic deformation of opening of the cup-shaped element 7 is the component of bending of the edge 9a within the sunken sectors 18 of the wall 14.

35 In fact, with respect to the case of the anti-siphon valve according to the already mentioned European patent No. EP-B-1 093 828, the albeit partial resting

of the free edge 9a of the side wall 9 causes the higher elastic yielding of the latter to enable opening of the valve 6 with values of pressure applied to the end wall 8 not only generally corresponding to the ones for a normal check valve for medical uses (typically between 0.005 and 0.02 bar), but even with considerably lower values.

This ensures that the check valve according to the invention will have a surprising promptness and immediacy of opening.

It should also be noted that opening of the valve 6 following upon axial-radial displacement of the circumferential edge 8a of the end wall 8, in addition to ensuring prompt and immediate opening of the valve 6, reduces any risk of undesirable adhesion between the edge 8a and the valve seat 12, also following upon prolonged periods of closing of the valve, which could jeopardize correct opening thereof.

In the opening condition of the valve 6, as the flowrate of fluid within the inlet passage 4 increases, a proportionally greater deflection (or axial displacement) of the end wall 8 of the cup-shaped element 7 occurs, and consequently a proportionally greater widening of the passage between the circumferential edge 8a and the conical surface 16: the loss of head through the valve 6 is consequently approximately linear.

The axial projections 19 of the two raised sectors 17 have the function of arrests, designed to prevent the end wall 8, in a condition of complete opening of the valve 6, from possibly obstructing the outlet passage 5.

Return into the closing position of the check valve 6, as soon as the pressure balance between the passage upstream 4 and the passage downstream 5 is restored or else in the case of overpressure in the passage downstream 5, is brought about as a result of the immediate return of the end wall 8 into the resting configuration of the corresponding peripheral edge 8a against the annular valve seat 12.

Of course, the details of construction and the embodiments may vary widely with respect to what is described and illustrated herein, without thereby departing from the scope of the present invention, as defined in the ensuing claims.

CLAIMS

1. A one-way valve for medical infusion lines and the like, comprising a first tubular element and a second tubular element, which define, respectively, a passage upstream and a passage downstream, which are coaxial to one another and transversely set between which is a diaphragm made of elastically deformable material co-operating in a fluid-tight way with an annular valve seat of said first tubular element to keep said valve normally closed, in which a predetermined pressure of fluid in said passage upstream brings about a displacement or an elastic deformation of said diaphragm and consequent opening of said valve, and in which said annular valve seat is defined by a wall with conical surface of said first tubular element diverging towards said second tubular element, and said diaphragm is constituted by the end wall of a cup-shaped element, the outer peripheral edge of which is normally pressed in seal contact against said annular valve seat, under an axial thrust exerted by the side wall of said cup-shaped element, the deflection or axial displacement of said end wall of the cup-shaped element brought about in use by said predetermined pressure of fluid determining the radial contraction of said outer peripheral edge and its consequent separation from said annular valve seat, and in which said side wall of the cup-shaped element has its own free edge resting against a grooved transverse surface of said second tubular element communicating with said passage downstream, and having an array of radial channels, wherein said radial channels of said grooved transverse surface are separated by sectors alternatively raised and sunken defining angular resting portions angularly separated by angular non-resting portions, said free edge of the side wall of said cup-shaped element being in contact only with said resting portions.

2. The valve according to Claim 1, wherein each radial channel of said grooved transverse surface is prolonged in a respective axial channel formed in said second tubular element at the side of said side wall of the cup-shaped element.

3. The valve according to Claim 2, wherein at least part of said sectors are formed with axial projections projecting towards said end wall of said cup-shaped element

4. The valve according to any one of the preceding claims, wherein said end wall of the cup-shaped element has a variable thickness, increasing towards its central part.

5 5. The valve according to any one of claims 1 to 3, wherein said side wall of the cup-shaped element has a variable thickness, increasing towards its free edge.

6. The valve according to Claim 4, wherein said peripheral edge of the end wall of said cup-shaped element has a minimum thickness.

10 7. The valve according to any one of the preceding claims, wherein said first tubular element has a transverse wall facing said end wall of said cup-shaped element formed with an array of radial passages communicating with said passage upstream.

8. The valve according to any one of the preceding claims, wherein said free edge of the side wall of said cup-shaped element has an external annular groove.

15 9. The valve according to any one of the preceding claims, wherein said cup-shaped element is made of a single piece of injection-moulded soft elastomeric material.

10. The valve according to Claim 9, wherein the soft elastomeric material includes liquid silicone.

20 11. The valve according to any one of the preceding claims, wherein said first and second tubular elements are pre-arranged for tube-tube connections, or else luer-tube connections or else tube-luer connections, or else tube-luer connections, and similar connections of said medical line.

12. A one-way valve substantially as hereinbefore described with reference to any one of the embodiments illustrated in the accompanying drawings.

FIG. 1

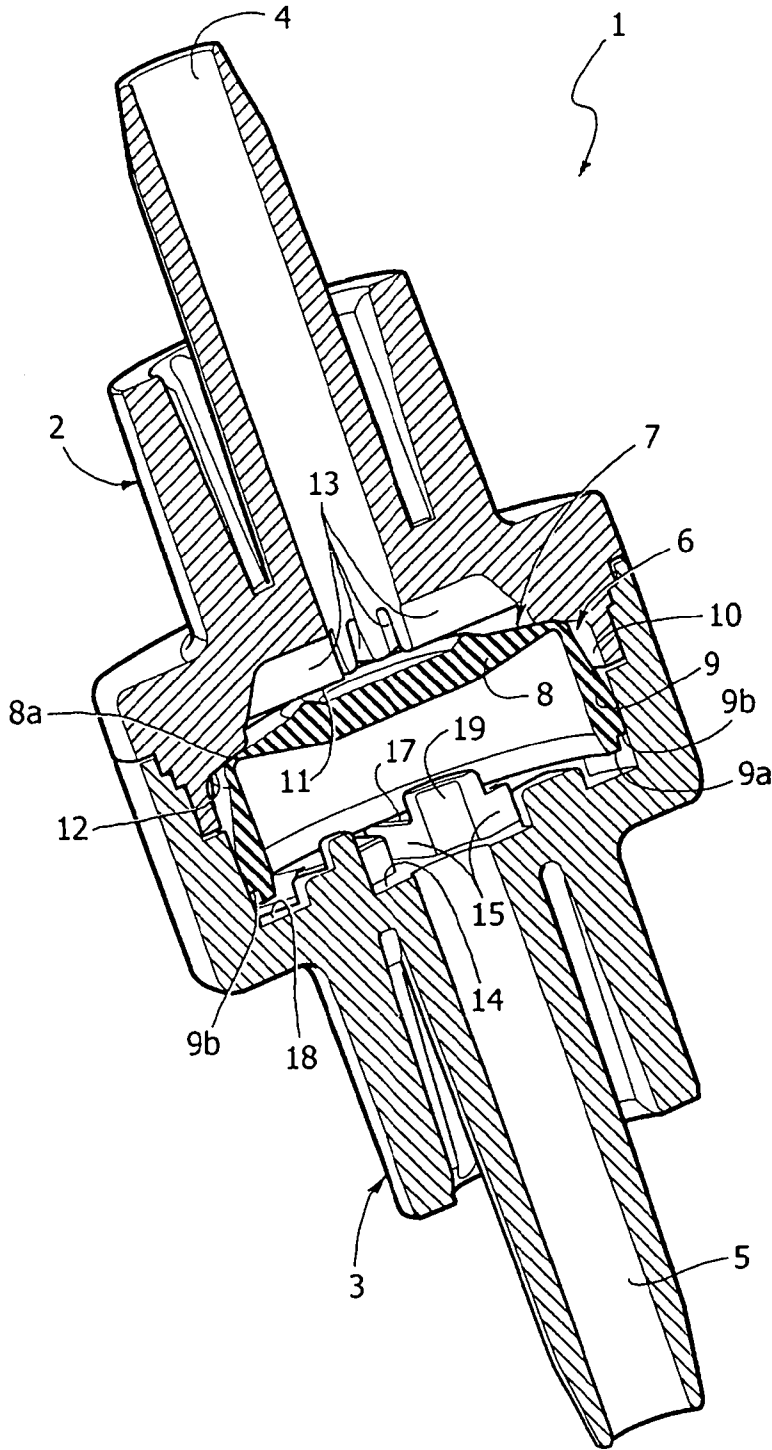


FIG. 2

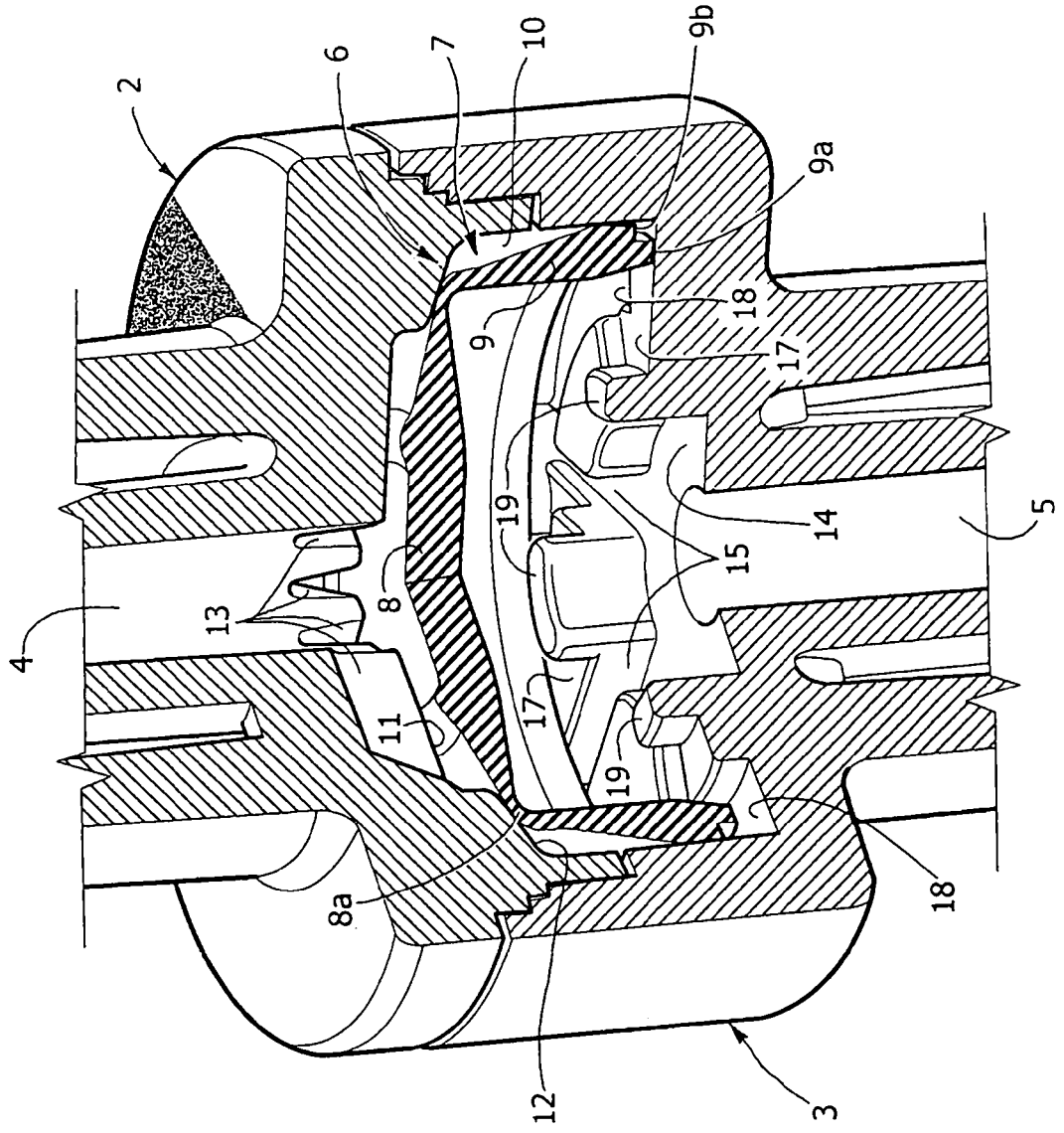


FIG. 3

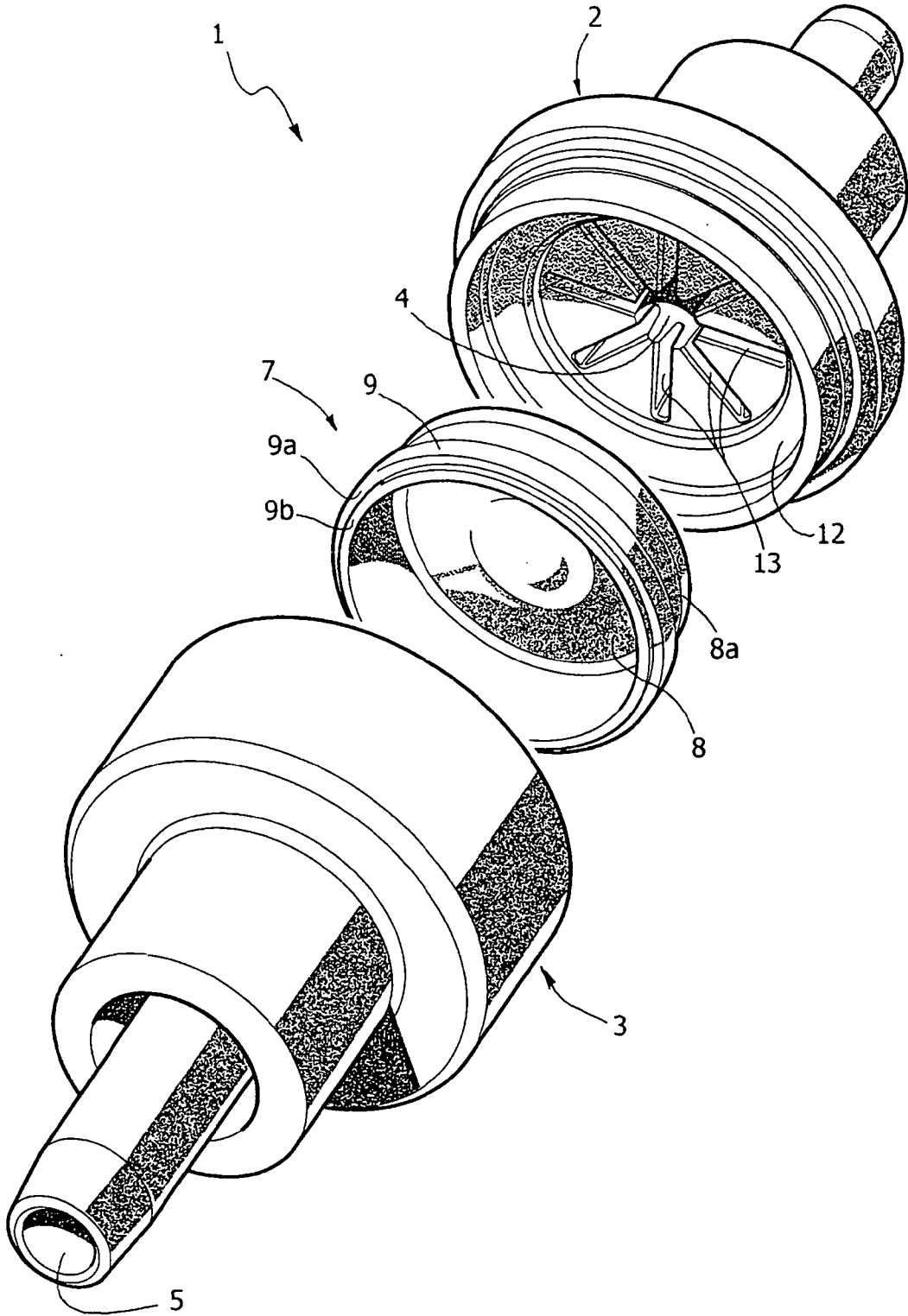


FIG. 4

