



US00D866366S

(12) **United States Design Patent**
Sostak

(10) **Patent No.:** **US D866,366 S**

(45) **Date of Patent:** **** Nov. 12, 2019**

(54) **LEVEL INDICATOR**

7,802,370 B2 * 9/2010 Lewry G01C 9/28

(71) Applicant: **Jurij Sostak**, Vilnius (LT)

D763,710 S * 8/2016 Barthold 33/333

2018/0335303 A1 * 11/2018 Sostak G01C 9/24

(72) Inventor: **Jurij Sostak**, Vilnius (LT)

* cited by examiner

(**) Term: **15 Years**

Primary Examiner — Antoine Duval Davis

(21) Appl. No.: **29/654,988**

(57) **CLAIM**

The ornamental design for a level indicator, as shown and described.

(22) Filed: **Jun. 29, 2018**

(51) **LOC (12) Cl.** **10-04**

(52) **U.S. Cl.**

USPC **D10/69**

(58) **Field of Classification Search**

USPC D10/69

CPC G01C 9/18; G01C 2009/182; G01C
2009/185; G01C 2009/187; G01C 9/20;
G01C 9/22; G01C 9/24; G01C 9/26;
G01C 9/28; G01C 9/30; G01C 9/32;
G01C 9/34; G01C 9/36

See application file for complete search history.

DESCRIPTION

FIG. 1 is a top view of an embodiment of the level indicator of Applicants' invention.

FIG. 2 is a left view of an embodiment of the level indicator of Applicants' invention.

FIG. 3 is a right view of an embodiment of the level indicator of Applicants' invention.

FIG. 4 is a bottom view of an embodiment of level indicator of Applicants' invention.

FIG. 5 is a front view of an embodiment of the level indicator of Applicants' invention.

FIG. 6 is a back view of an embodiment of the level indicator of Applicants' invention; and,

FIG. 7 is an isometric view of an embodiment of the level indicator of Applicants' invention.

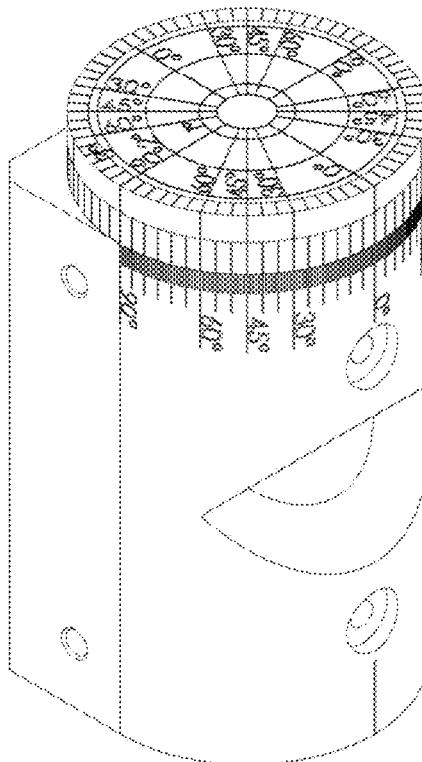
(56) **References Cited**

U.S. PATENT DOCUMENTS

7,392,593 B2 * 7/2008 Rivers E06C 7/003
182/18

D574,274 S * 8/2008 D'Olimpia D10/69

1 Claim, 7 Drawing Sheets



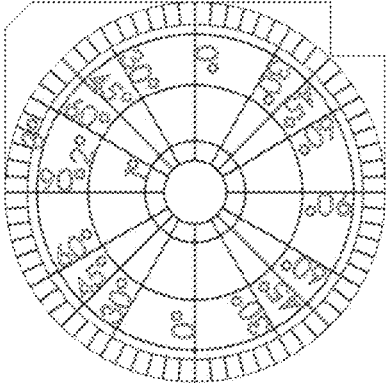


FIG 1

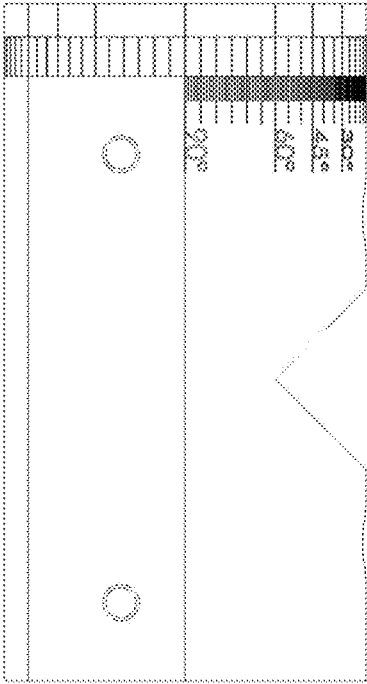


FIG 2

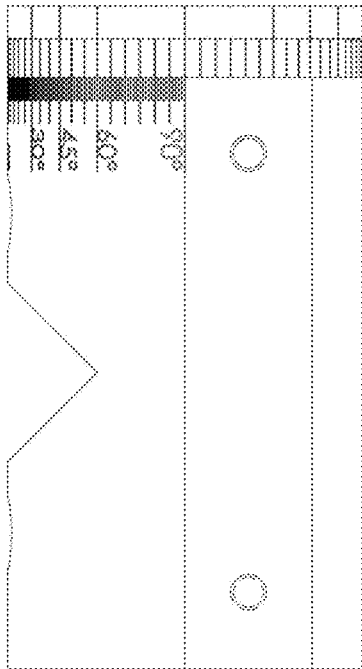


FIG 3

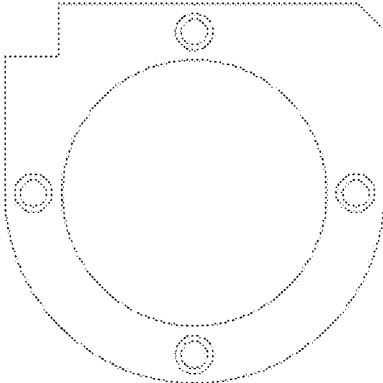


FIG 4

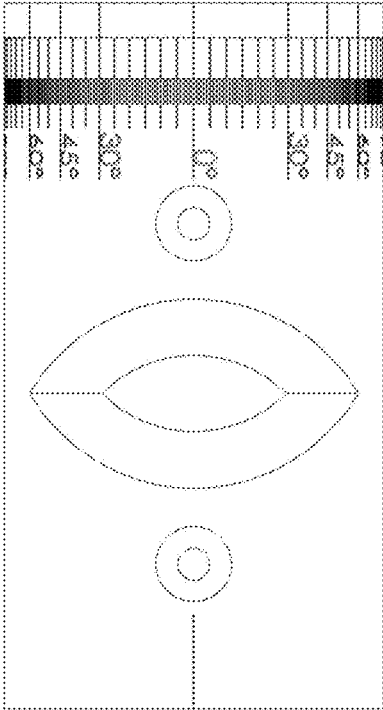


FIG 5

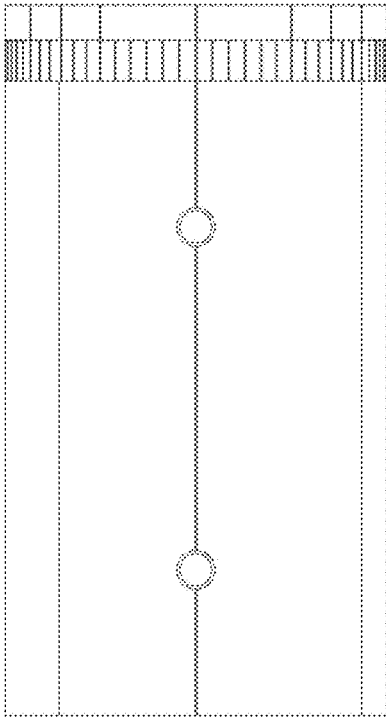


FIG 6

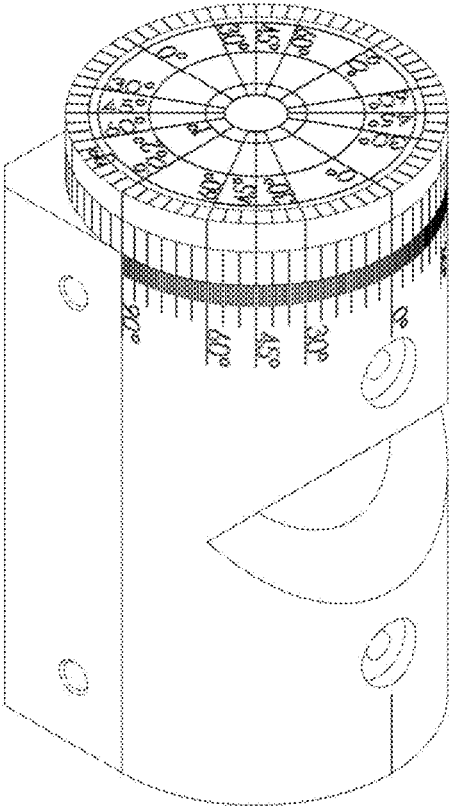


FIG 7