

United States Patent [19]

Frost

[11] Patent Number: Des. 295,107

[45] Date of Patent: ** Apr. 5, 1988

[54] CARRYING TRAY

[76] Inventor: Jack E. Frost, 13662 2nd, Yucaipa, Calif. 92399

[**] Term: 14 Years

[21] Appl. No.: 760,456

[22] Filed: Jul. 30, 1985

[52] U.S. Cl. D34/45; D34/46

[58] Field of Search D9/341, 345, 347;
D3/74, 75; D34/40, 43, 45, 46; 206/557, 561;
220/20, 21, 22; 229/10, 27

[56] References Cited

U.S. PATENT DOCUMENTS

D. 98,200 1/1936 Worthington D34/45

D. 149,519 5/1948 Reynolds D34/45
D. 213,425 3/1969 Hirota D34/45
D. 260,603 9/1981 O'Donnal D34/45

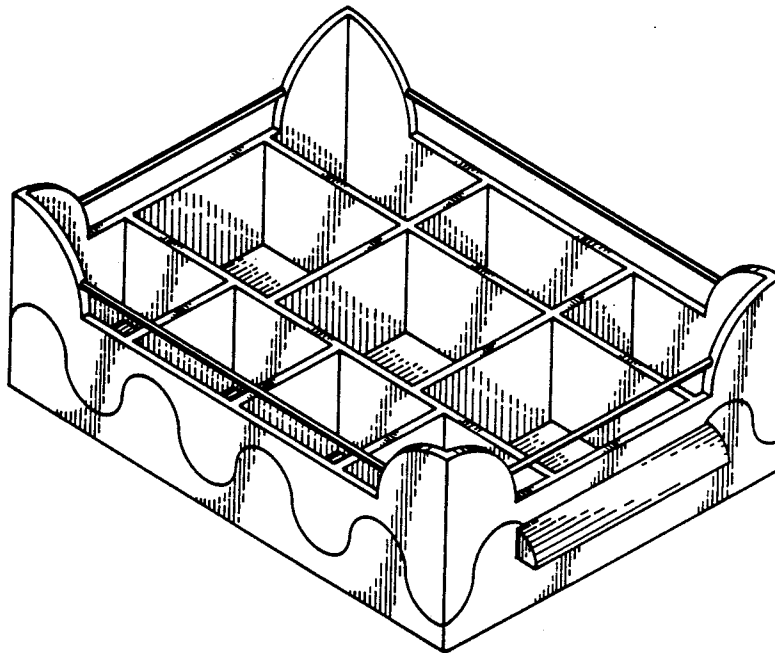
Primary Examiner—Robert C. Spangler
Attorney, Agent, or Firm—Gilden & Israel

[57] CLAIM

The ornamental design for a carrying tray, as shown and described.

DESCRIPTION

FIG. 1 is a perspective view of a carrying tray showing my new design;
FIG. 2 is a side elevational view thereof;
FIG. 3 is an end elevational view thereof;
FIG. 4 is a bottom plan view thereof; and
FIG. 5 is a top plan view thereof.



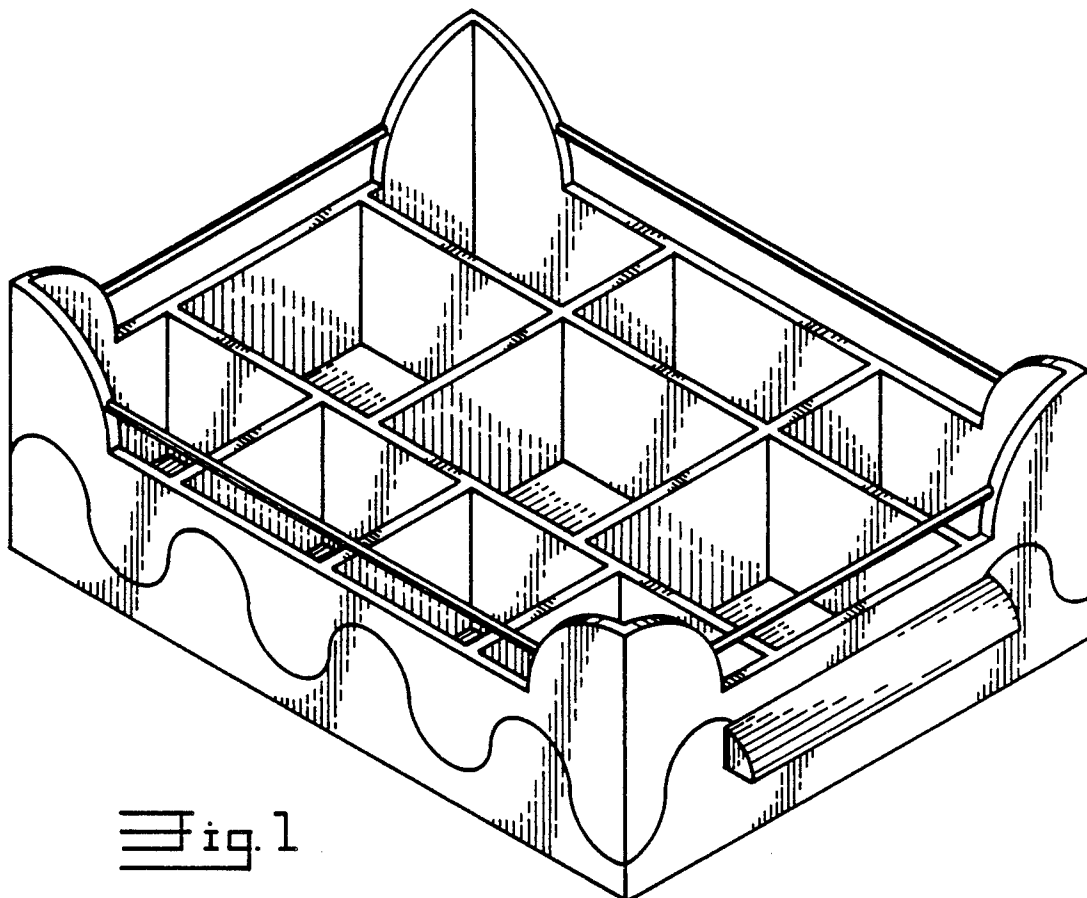


Fig. 1

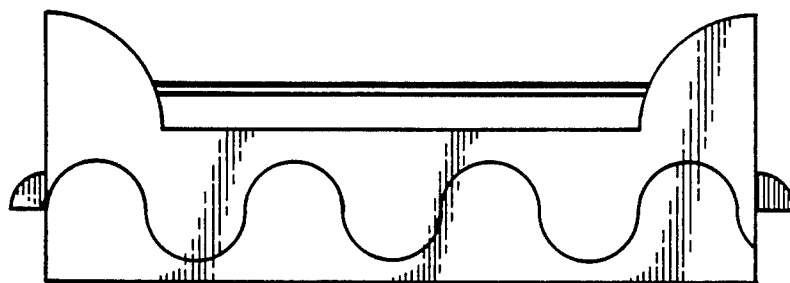


Fig. 2



Fig. 3

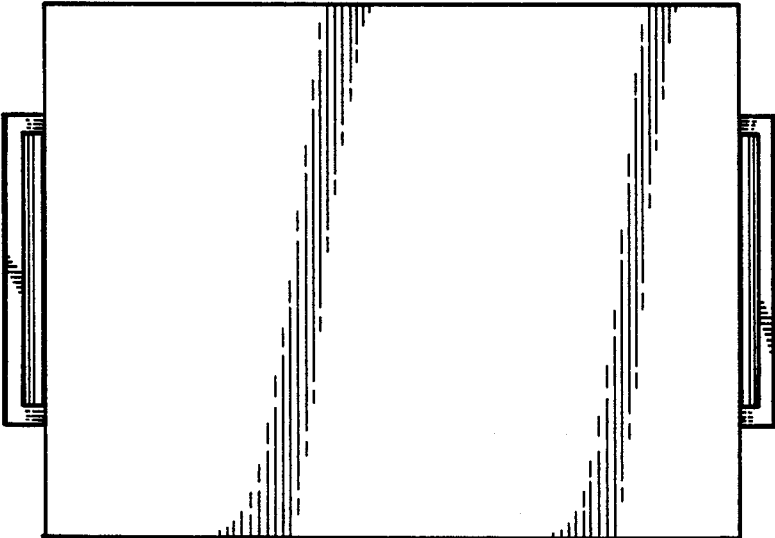


Fig. 4

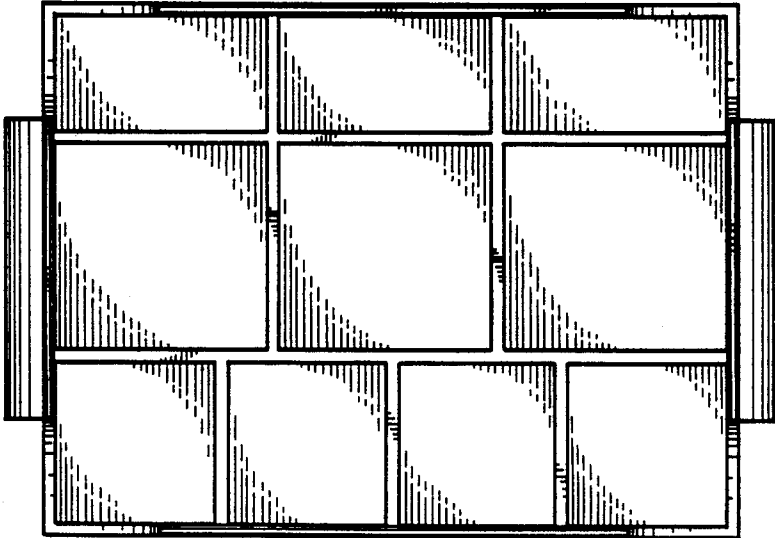


Fig. 5