



US00D782846S

(12) **United States Design Patent**
Golembieski

(10) **Patent No.:** **US D782,846 S**

(45) **Date of Patent:** **** Apr. 4, 2017**

(54) **FOLDABLE SHELF**

D634,957 S * 3/2011 Rosenzweig D6/567
8,430,252 B2 * 4/2013 Susan A47B 96/067
108/152
2013/0319297 A1 * 12/2013 Ng A47B 5/006
108/169

(71) Applicant: **Ronald Golembieski**, Brewerton, NY
(US)

(72) Inventor: **Ronald Golembieski**, Brewerton, NY
(US)

* cited by examiner

(**) Term: **15 Years**

Primary Examiner — Wan Laymon
Assistant Examiner — Mark Booker
(74) *Attorney, Agent, or Firm* — Harris Beach PLLC

(21) Appl. No.: **29/542,908**

(22) Filed: **Oct. 19, 2015**

Related U.S. Application Data

(63) Continuation-in-part of application No. 29/540,613,
filed on Sep. 25, 2015.

(51) **LOC (10) Cl.** **06-06**

(52) **U.S. Cl.**
USPC **D6/574**

(58) **Field of Classification Search**

USPC D6/574, 320-324, 567; D7/698; D26/72;
52/287.1; 108/28-29, 152; 211/13.1, 42,
211/86.01, 88.01, 90.01, 90.03, 126.1,
211/134, 153; 248/205.3, 235, 243, 247,
248/249, 250; 312/108, 140.2, 229
CPC A47B 43/00; A47B 43/04; A47B 47/0066;
A47B 47/04; A47B 63/00; A47B 69/00;
A47B 71/00; B65D 51/00

See application file for complete search history.

(56) **References Cited**

U.S. PATENT DOCUMENTS

D385,140 S * 10/1997 Whitehead D6/574
D520,288 S * 5/2006 Grosfillex D6/574

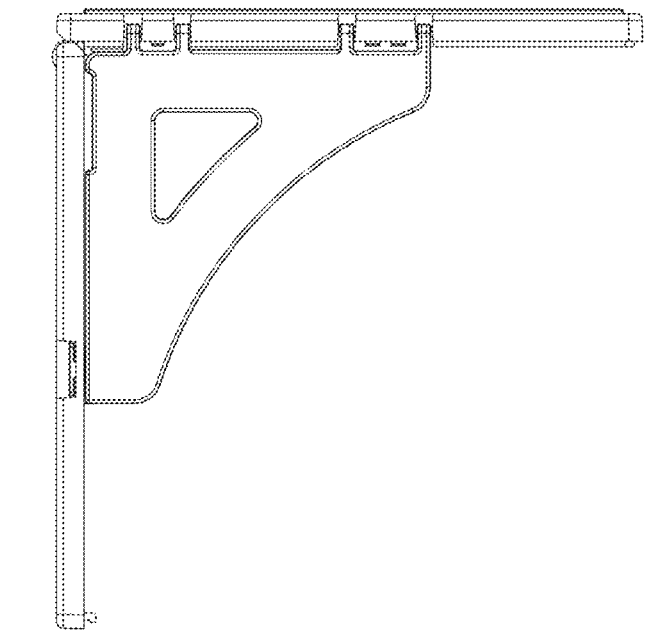
(57) **CLAIM**

The ornamental design for a foldable shelf, as shown and
described.

DESCRIPTION

FIG. 1 is a left side elevation view of a foldable shelf in the
unfolded position showing my design; the right side eleva-
tion view being a mirror image thereof;
FIG. 2 is front elevation view thereof;
FIG. 3 is top plan view thereof;
FIG. 4 is back elevation view thereof;
FIG. 5 is a perspective view of a foldable shelf in the
unfolded position showing my design;
FIG. 6 is a side view perspective of a foldable shelf in the
folded position showing my design;
FIG. 7 is a left side elevation view thereof, the right side
elevation view being a mirror image thereof; and,
FIG. 8 is an upper perspective view of a foldable shelf in the
folded position showing my design.

1 Claim, 8 Drawing Sheets



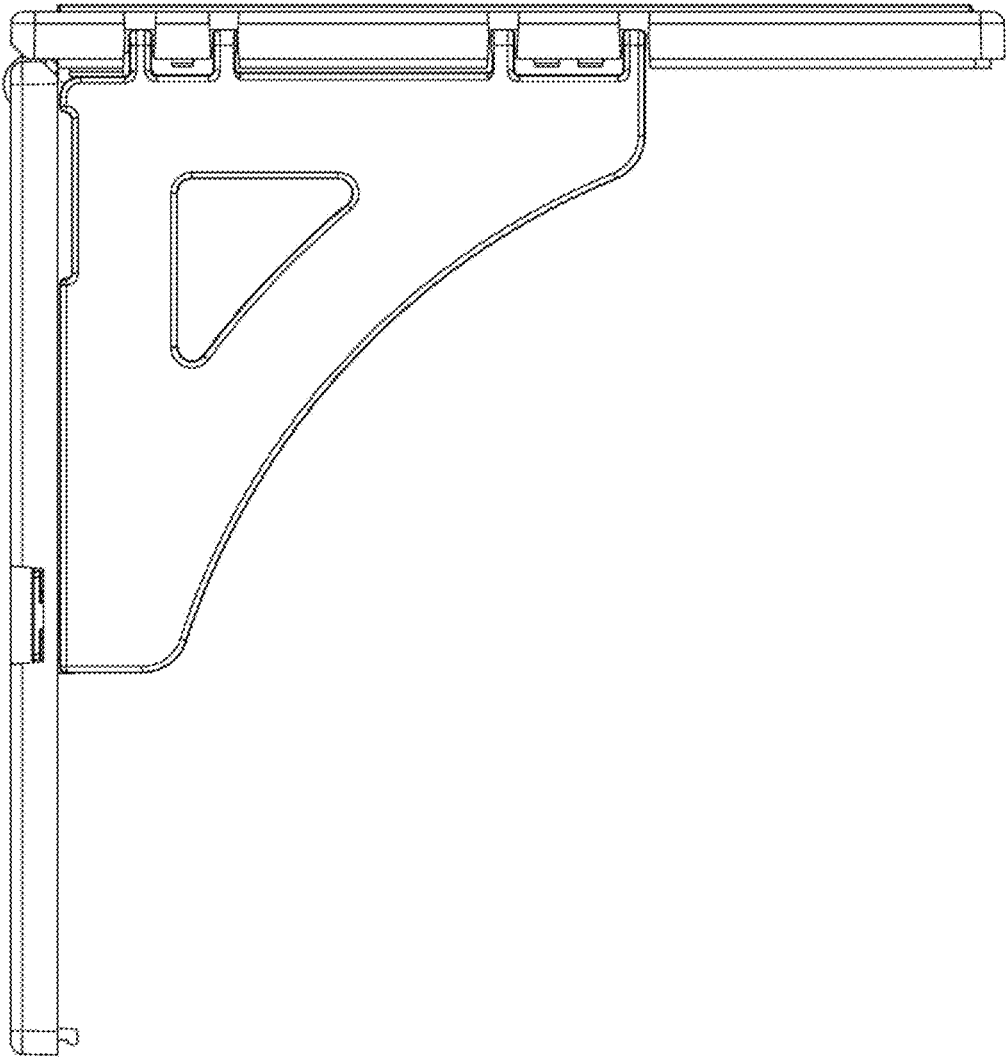


FIG. 1

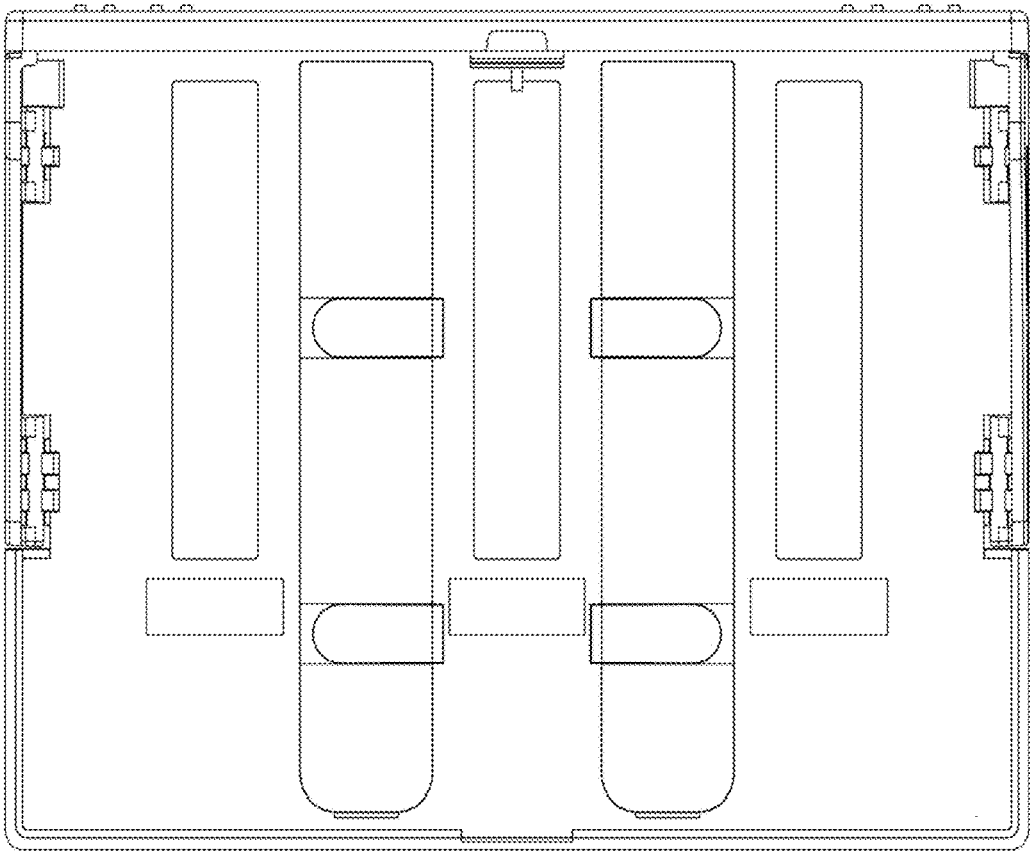


FIG. 2

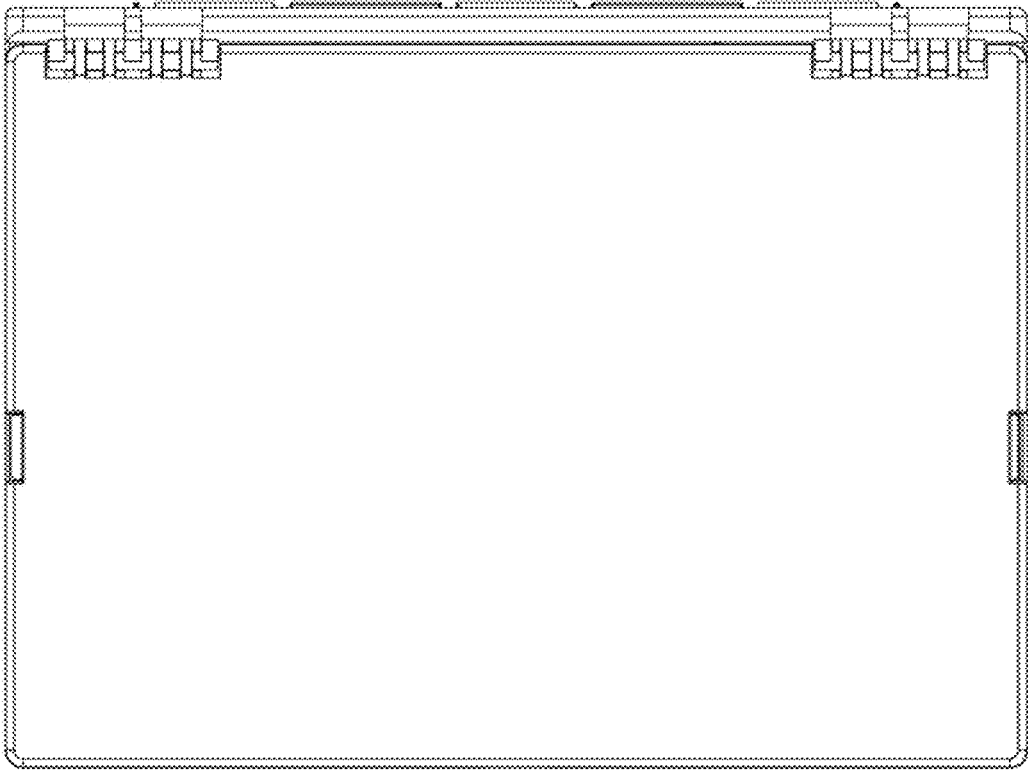


FIG. 3

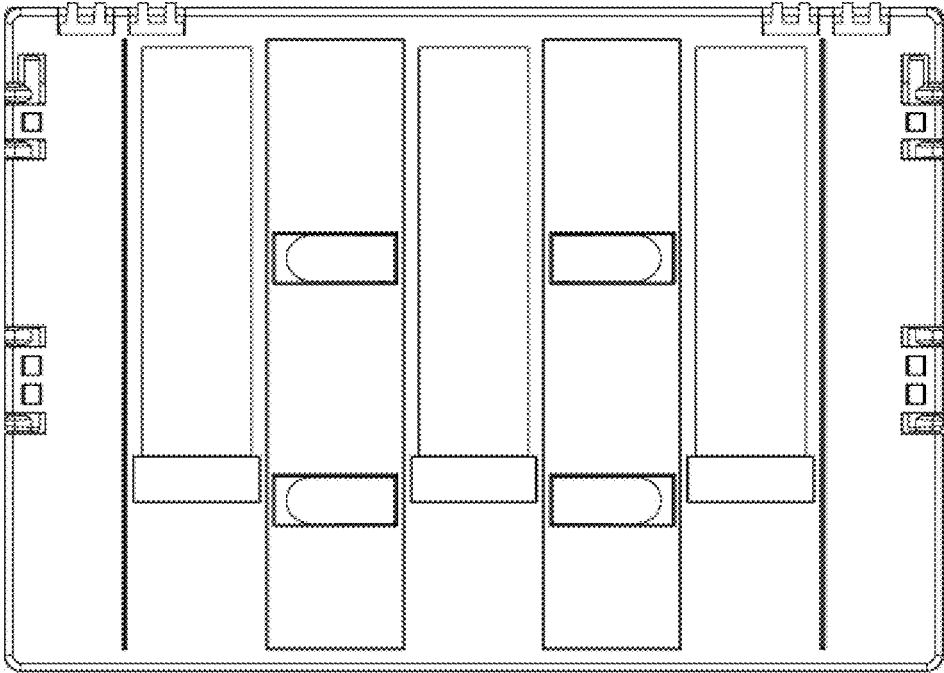


FIG. 4

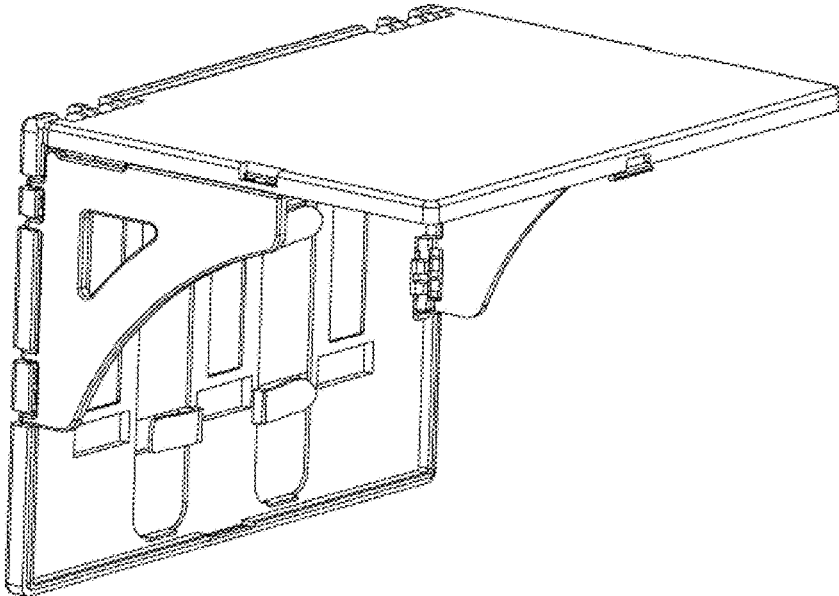


FIG. 5

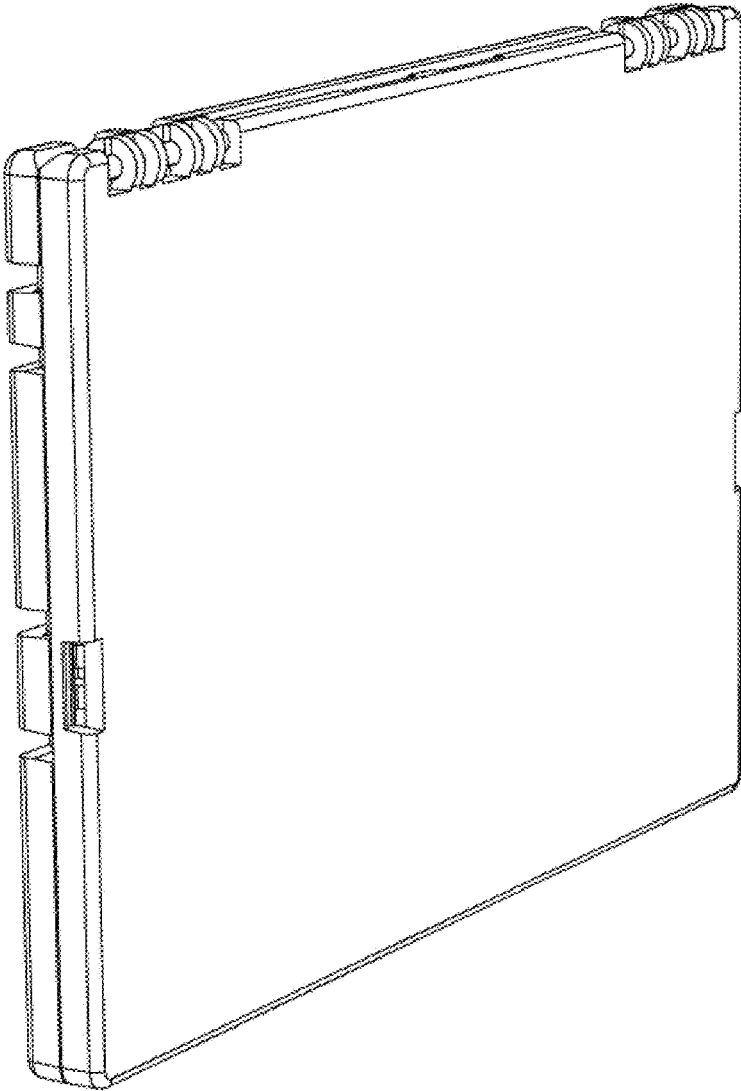


FIG. 6

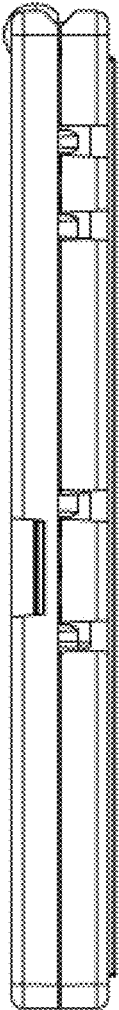


FIG. 7

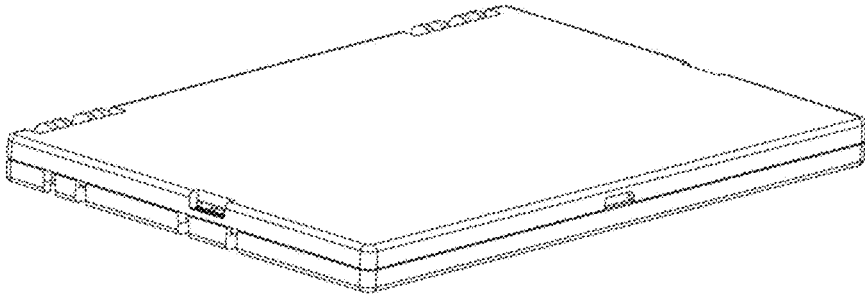


FIG. 8