



US00D341027S

# United States Patent [19]

[11] Patent Number: **Des. 341,027**

Godden et al.

[45] Date of Patent: **\*\* Nov. 9, 1993**

[54] **DIAPER CHANGING KIT**

[76] Inventors: **Angela M. Godden; George V. Godden**, both of 42 Richvale Dr., Brampton, Ontario, Canada, L6Z 1M5

1,288,267	12/1918	Stone .....	D3/76 X
1,799,877	4/1931	Wheary et al. ....	190/109 X
3,397,804	8/1968	Davis .	
3,732,955	5/1973	Carter et al. ....	190/109
4,257,415	3/1981	Rubin .....	D3/74 X

[\*\*] Term: **14 Years**

*Primary Examiner*—B. J. Bullock  
*Assistant Examiner*—Paula Mortimer  
*Attorney, Agent, or Firm*—Terry M. Gernstein

[21] Appl. No.: **806,441**

[57] **CLAIM**

[22] Filed: **Dec. 13, 1991**

The ornamental design for a diaper changing kit, as shown and described.

[52] U.S. Cl. .... **D3/74**

[58] Field of Search ..... **D3/30.1, 33, 74, 76;**  
190/109-115, 124, 127, 121, 120, 901, 902;  
206/370, 566, 305

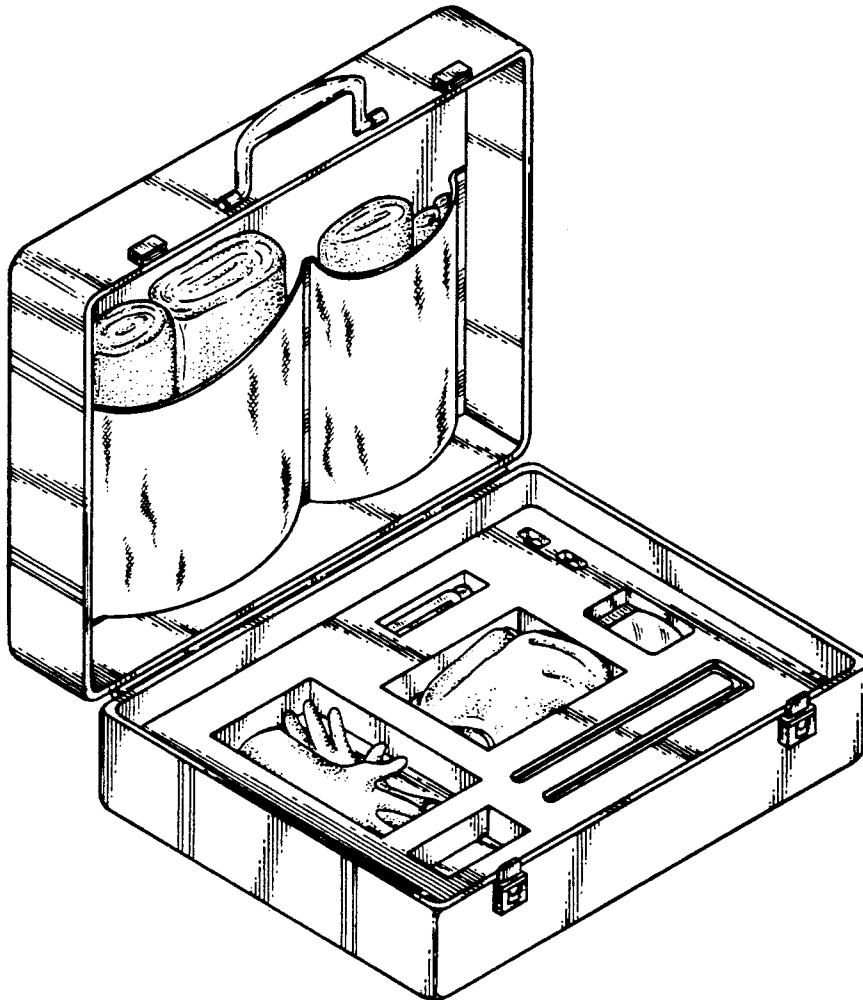
**DESCRIPTION**

[56] **References Cited**

**U.S. PATENT DOCUMENTS**

D. 249,584	9/1978	Atkinson .....	D3/74
D. 291,150	8/1987	Beran .	
D. 293,508	1/1988	Marconi .	
D. 302,904	8/1989	Dunkeld, Jr. ....	D3/74
D. 309,143	7/1990	Yang .....	D3/74

FIG. 1 is a perspective view of the diaper changing kit embodying the design of the present invention in the open condition;  
FIG. 2 is an end elevational view thereof;  
FIG. 3 is an end elevational view thereof;  
FIG. 4 is a front elevational view thereof, the rear being a mirror image of the front shown in FIG. 4;  
FIG. 5 is a top plan view thereof; and,  
FIG. 6 is a bottom view thereof.



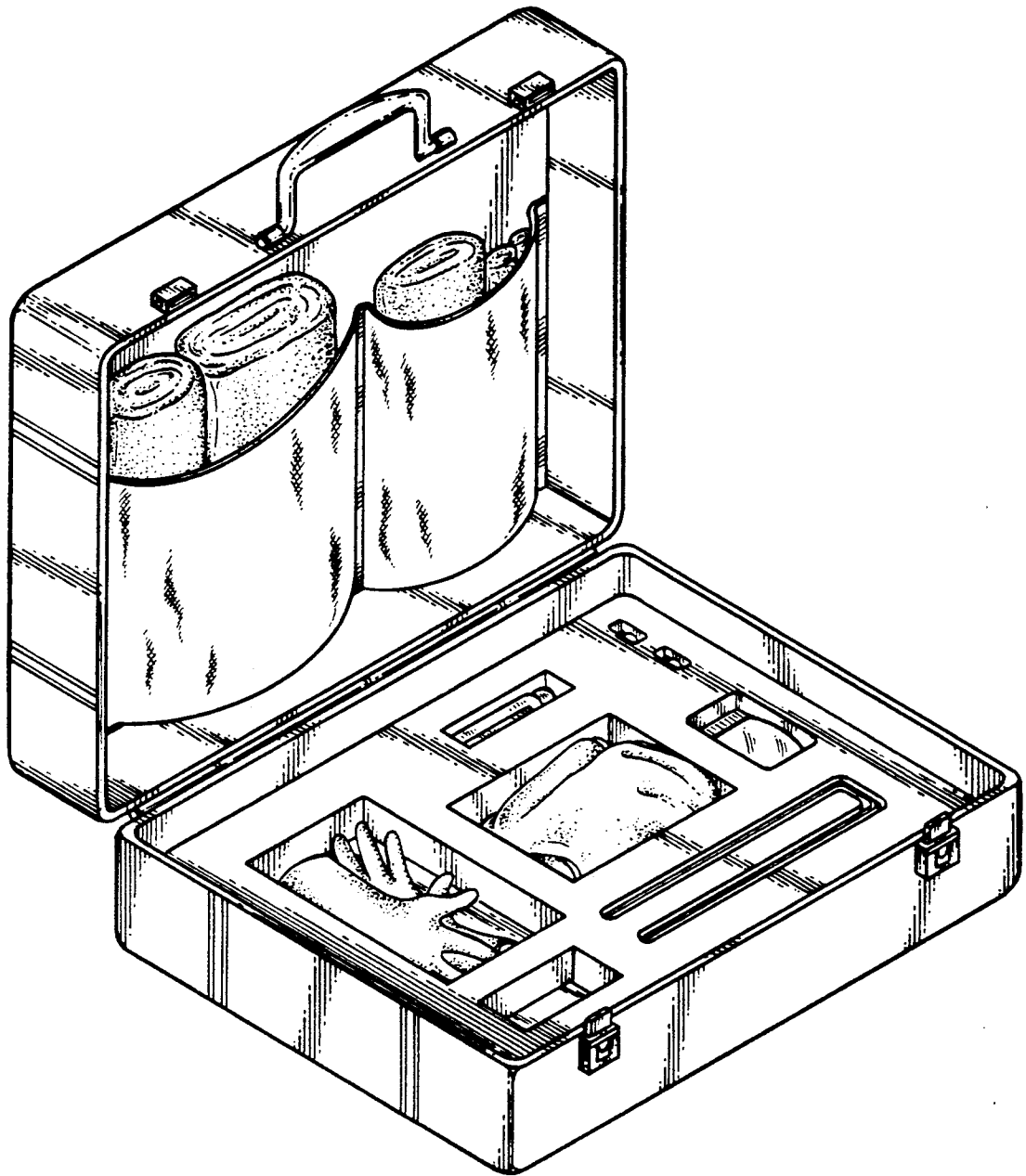


FIG. 1

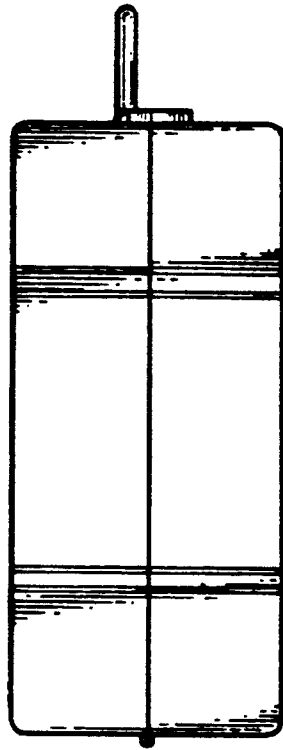


FIG. 2

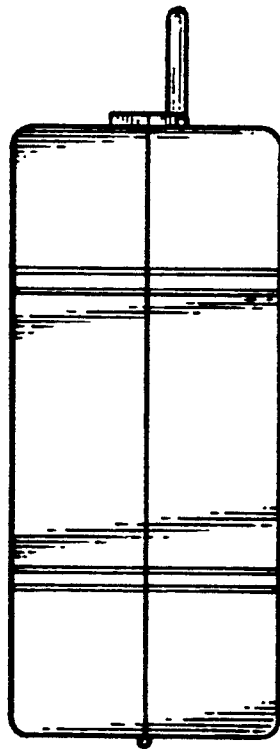


FIG. 3

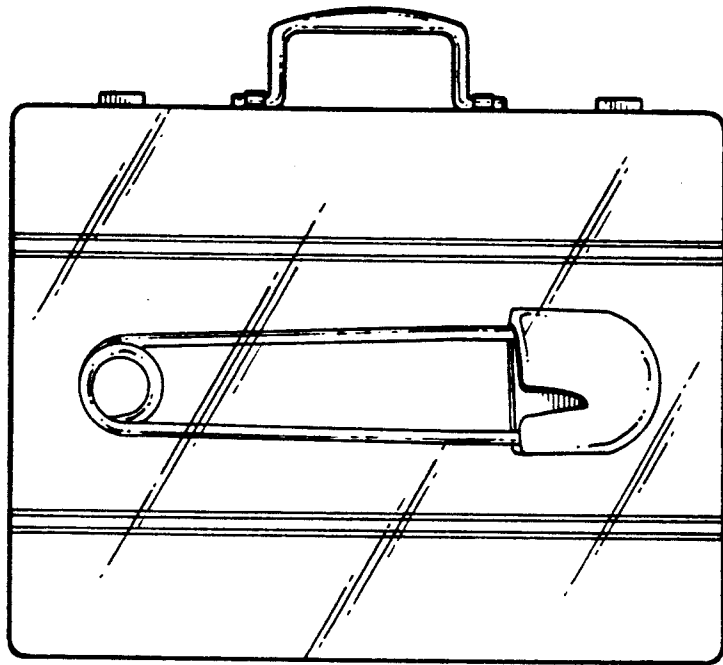


FIG. 4

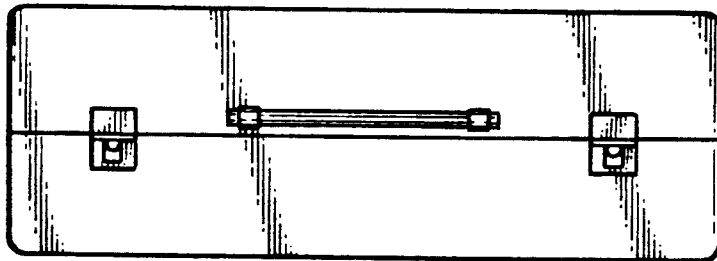


FIG. 5

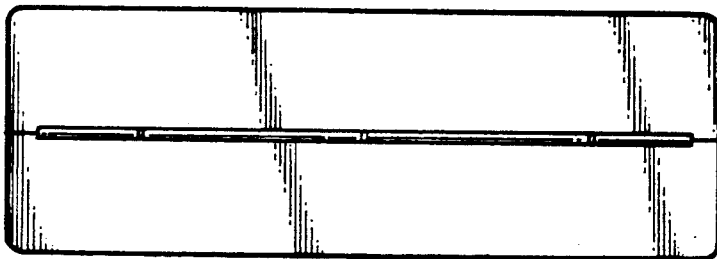


FIG. 6