

(19) World Intellectual Property Organization
International Bureau



(43) International Publication Date
1 November 2007 (01.11.2007)

PCT

(10) International Publication Number
WO 2007/123745 A3

- (51) International Patent Classification:
A45F 3/12 (2006.01) A45C 13/30 (2006.01)
- (21) International Application Number:
PCT/US2007/007992
- (22) International Filing Date:
30 March 2007 (30.03.2007)
- (25) Filing Language: English
- (26) Publication Language: English
- (30) Priority Data:
11/394,129 30 March 2006 (30.03.2006) US
- (71) Applicant (for JP, KR only): NIKE, INC. [US/US]; One Bowerman Drive, Beaverton, OR 97005-6453 (US).
- (71) Applicant (for all designated States except JP, KR, US): NIKE INTERNATIONAL, LTD. [GB/GB]; Canon's Court, 22 Victoria Street, Hamilton, HM12 (BM).
- (72) Inventors; and
- (75) Inventors/Applicants (for US only): FIDRYCH, Paul, J. [US/US]; C/o Nike, Inc., One Bowerman Drive, Beaverton, OR 97005-6453 (US). HELMSWORTH, Chris [US/US]; C/o Nike, Inc., One Bowerman Drive, Beaverton, OR 97005-6453 (US).
- (74) Agent: MU, Chunhsi, Andy; Banner & Witcoff, LTD., 1100 13th Street, N.W., Suite 1200, Washington, DC 20005-4051 (US).

(81) Designated States (unless otherwise indicated, for every kind of national protection available): AE, AG, AL, AM, AT, AU, AZ, BA, BB, BG, BH, BR, BW, BY, BZ, CA, CH, CN, CO, CR, CU, CZ, DE, DK, DM, DZ, EC, EE, EG, ES, FI, GB, GD, GE, GH, GM, GT, HN, HR, HU, ID, IL, IN, IS, JP, KE, KG, KM, KN, KP, KR, KZ, LA, LC, LK, LR, LS, LT, LU, LY, MA, MD, MG, MK, MN, MW, MX, MY, MZ, NA, NG, NI, NO, NZ, OM, PG, PH, PL, PT, RO, RS, RU, SC, SD, SE, SG, SK, SL, SM, SV, SY, TJ, TM, TN, TR, TT, TZ, UA, UG, US, UZ, VC, VN, ZA, ZM, ZW.

(84) Designated States (unless otherwise indicated, for every kind of regional protection available): ARIPO (BW, GH, GM, KE, LS, MW, MZ, NA, SD, SL, SZ, TZ, UG, ZM, ZW), Eurasian (AM, AZ, BY, KG, KZ, MD, RU, TJ, TM), European (AT, BE, BG, CH, CY, CZ, DE, DK, EE, ES, FI, FR, GB, GR, HU, IE, IS, IT, LT, LU, LV, MC, MT, NL, PL, PT, RO, SE, SI, SK, TR), OAPI (BF, BJ, CF, CG, CI, CM, GA, GN, GQ, GW, ML, MR, NE, SN, TD, TG).

Published:

- with international search report (Art. 21(3))
- before the expiration of the time limit for amending the claims and to be republished in the event of receipt of amendments (Rule 48.2(h))

(88) Date of publication of the international search report:
26 November 2009

(54) Title: SUPPORT ELEMENT FOR A CARRY STRAP

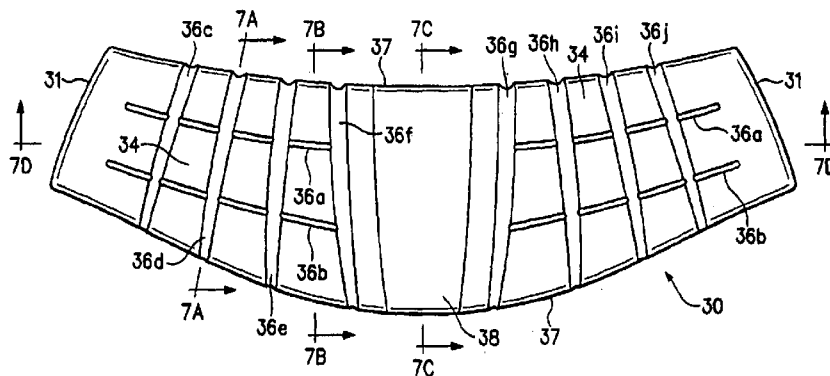


Figure 3

(57) Abstract: A strap (12) has an extension element (20) and a support element (30). The extension element joins with an article, such as a bag, backpack, or purse. The support element is secured to the extension element and has a plurality of sipes (36) that enhance the flexibility of the strap. In another configuration, the support element has a central area (38) formed from a foam that is more compressible than a foam forming end areas (31). In yet another configuration, the support element has a wedge-shaped cross-section.



WO 2007/123745 A3

INTERNATIONAL SEARCH REPORT

International application No
PCT/US2007/007992

A. CLASSIFICATION OF SUBJECT MATTER

INV. A45F3/12
ADD. A45C13/30

According to International Patent Classification (IPC) or to both national classification and IPC

B. FIELDS SEARCHED

Minimum documentation searched (classification system followed by classification symbols)

A45F A45C A41F

Documentation searched other than minimum documentation to the extent that such documents are included in the fields searched

Electronic data base consulted during the international search (name of data base and, where practical, search terms used)

EPO-Internal, WPI Data

C. DOCUMENTS CONSIDERED TO BE RELEVANT

Category*	Citation of document, with indication, where appropriate, of the relevant passages	Relevant to claim No.
X	US 5 250 345 A (CHU CHIH-MING [TW]) 5 October 1993 (1993-10-05)	1-4, 6-8
Y	column 1, line 58 - column 2, line 17	2, 5, 7-9
Y	WO 91/05495 A (KARRIMOR INT LTD [GB]) 2 May 1991 (1991-05-02) page 7, line 17 - page 10, line 34	5, 9
X	WO 2005/072557 A (ARCHBOND LTD [GB]; NOKES BRIAN D G [GB]) 11 August 2005 (2005-08-11)	1, 3, 4, 6, 9
Y	page 2, line 18 - page 8, line 4	2, 5, 7, 8

Further documents are listed in the continuation of Box C.

See patent family annex.

* Special categories of cited documents:

- *A* document defining the general state of the art which is not considered to be of particular relevance
- *E* earlier document but published on or after the international filing date
- *L* document which may throw doubts on priority claim(s) or which is cited to establish the publication date of another citation or other special reason (as specified)
- *O* document referring to an oral disclosure, use, exhibition or other means
- *P* document published prior to the international filing date but later than the priority date claimed

- *T* later document published after the international filing date or priority date and not in conflict with the application but cited to understand the principle or theory underlying the invention
- *X* document of particular relevance; the claimed invention cannot be considered novel or cannot be considered to involve an inventive step when the document is taken alone
- *Y* document of particular relevance; the claimed invention cannot be considered to involve an inventive step when the document is combined with one or more other such documents, such combination being obvious to a person skilled in the art.
- * & * document member of the same patent family

Date of the actual completion of the international search

11 September 2007

Date of mailing of the international search report

07/10/2009

Name and mailing address of the ISA/

European Patent Office, P.B. 5818 Patentlaan 2
NL - 2280 HV Rijswijk
Tel. (+31-70) 340-2040.
Fax: (+31-70) 340-3016

Authorized officer

Koob, Michael

INTERNATIONAL SEARCH REPORT

International application No.
PCT/US2007/007992

Box No. II Observations where certain claims were found unsearchable (Continuation of item 2 of first sheet)

This international search report has not been established in respect of certain claims under Article 17(2)(a) for the following reasons:

1. Claims Nos.:
because they relate to subject matter not required to be searched by this Authority, namely:

2. Claims Nos.:
because they relate to parts of the international application that do not comply with the prescribed requirements to such an extent that no meaningful international search can be carried out, specifically:

3. Claims Nos.:
because they are dependent claims and are not drafted in accordance with the second and third sentences of Rule 6.4(a).

Box No. III Observations where unity of invention is lacking (Continuation of item 3 of first sheet)

This International Searching Authority found multiple inventions in this international application, as follows:

see additional sheet

1. As all required additional search fees were timely paid by the applicant, this international search report covers allsearchable claims.
2. As all searchable claims could be searched without effort justifying an additional fees, this Authority did not invite payment of additional fees.
3. As only some of the required additional search fees were timely paid by the applicant; this international search report covers only those claims for which fees were paid, specifically claims Nos.:
4. No required additional search fees were timely paid by the applicant. Consequently, this international search report is restricted to the invention first mentioned in the claims; it is covered by claims Nos.:

1-9

Remark on Protest

- The additional search fees were accompanied by the applicant's protest and, where applicable, the payment of a protest fee.
- The additional search fees were accompanied by the applicant's protest but the applicable protest fee was not paid within the time limit specified in the invitation.
- No protest accompanied the payment of additional search fees.

FURTHER INFORMATION CONTINUED FROM PCT/ISA/ 210

This International Searching Authority found multiple (groups of) inventions in this international application, as follows:

1. claims: 1-9

A strap comprising an support element secured to an extension element, the support element having a first sipe extending parallel to the extension element and a second sipe extending perpendicular to the extension element.

2. claims: 10-29

A strap comprising an support element secured to an extension element, the support element having a central area of a first polymer foam material and a pair of end areas of a second polymer foam material, the first material having greater compressibility than the second material.

3. claims: 30-39

A strap comprising an support element secured to an extension element, the support element having a wedge-shape cross-section.

4. claims: 40-44

A strap comprising an support element secured to an extension element, the support element having a plurality of sipes extending at least one-half through the support element.

INTERNATIONAL SEARCH REPORT

Information on patent family members

International application No PCT/US2007/007992

Patent document cited in search report	A	Publication date	Patent family member(s)	Publication date
US 5250345	A	05-10-1993	NONE	
<hr style="border-top: 1px dashed black;"/>				
WO 9105495	A	02-05-1991	AU 645995 B2	03-02-1994
			DE 69024498 D1	08-02-1996
			DE 69024498 T2	18-07-1996
			DK 0495871 T3	09-04-1996
			EP 0495871 A1	29-07-1992
			FI 94588 B	30-06-1995
			JP 2581844 B2	12-02-1997
			JP 5500320 T	28-01-1993
			NO 921404 A	09-04-1992
<hr style="border-top: 1px dashed black;"/>				
WO 2005072557	A	11-08-2005	NONE	
<hr style="border-top: 1px dashed black;"/>				