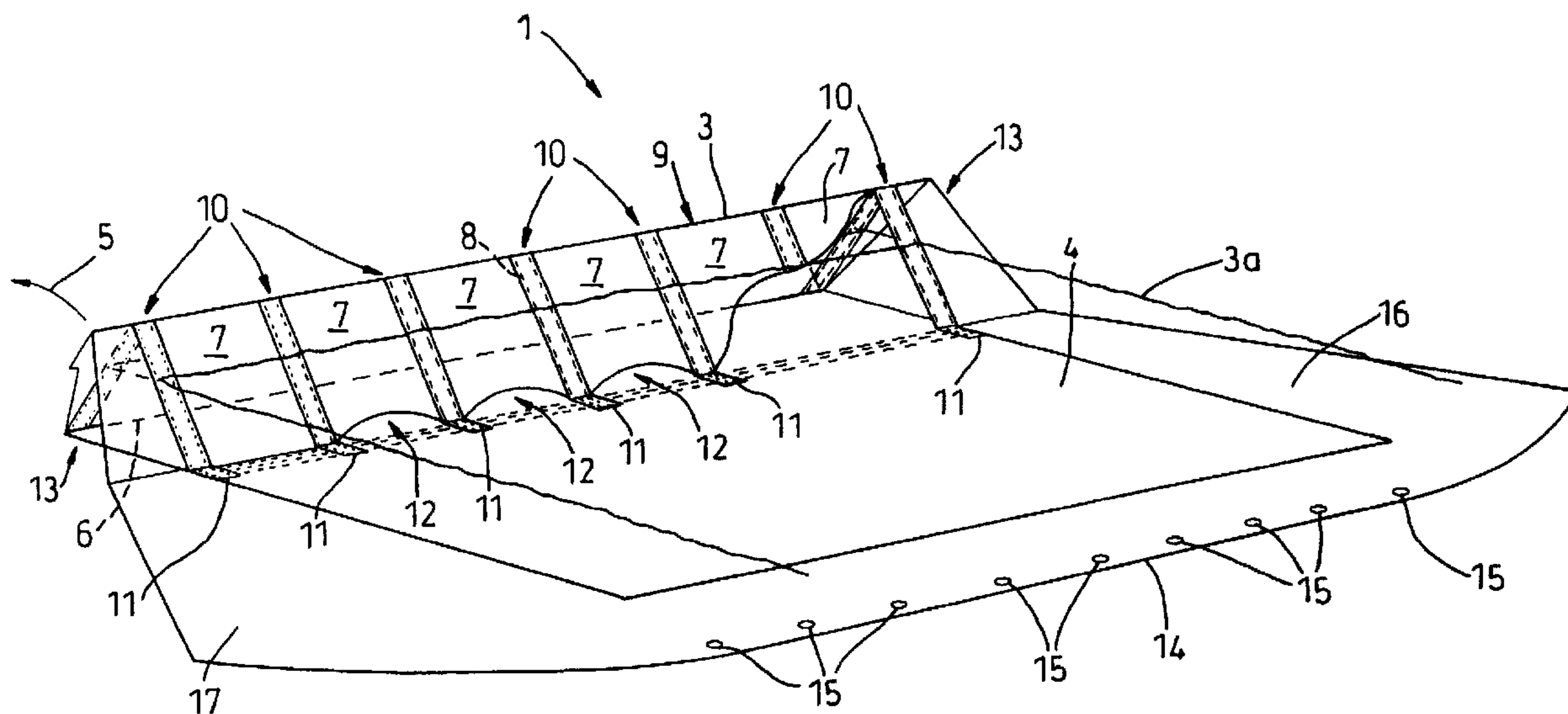




(86) Date de dépôt PCT/PCT Filing Date: 2000/06/01  
 (87) Date publication PCT/PCT Publication Date: 2000/12/14  
 (85) Entrée phase nationale/National Entry: 2002/01/04  
 (86) N° demande PCT/PCT Application No.: GB 2000/002103  
 (87) N° publication PCT/PCT Publication No.: 2000/075434  
 (30) Priorités/Priorities: 1999/06/02 (9912661.7) GB;  
 2000/03/06 (0005275.3) GB

(51) Cl.Int.<sup>7</sup>/Int.Cl.<sup>7</sup> E02B 3/10, E02B 7/00  
 (71) Demandeurs/Applicants:  
 BRUCE, PATRICK JOSEPH, GB;  
 WALKER, ANDREW GORDON, GB;  
 WARD, NICHOLAS EDWARD, GB  
 (72) Inventeurs/Inventors:  
 WALKER, ANDREW GORDON, GB;  
 WARD, NICHOLAS EDWARD, GB  
 (74) Agent: FETHERSTONHAUGH & CO.

(54) Titre : BARRAGE D'URGENCE RAPIDE  
 (54) Title: A RAPID EMERGENCY DAM



(57) Abrégé/Abstract:

The present invention relates to a rapid emergency dam. During adverse weather conditions heavy rain can lead to rivers breaking their banks and lakes overflowing causing flooding to the surrounding countryside. Coastline defences can also be breached by increased sea swell and large waves. A fluid barrier section (1) of the present invention comprises an elongate rectangular fluid barrier sheet (2), an apron (4) extending from the lowermost edge (6) of the fluid barrier (2), an elongate rectangular front panel (7) and support means in the form of a plurality of support ribs (8). The fluid barrier sheet (2) is of a flexible fluid impermeable material such as plastics, rubber, waterproof canvas, nylons or any other suitable natural or man made material. A preferred material for the barrier sheet (2) is a fluid impermeable tear resistant flexible foil. In one preferred embodiment of the present invention the lowermost edge (6) of the fluid barrier is bonded to one edge of the apron (4). The bond provides a fluid impermeable joint between the apron (4) and the fluid barrier sheet (2).

## (12) INTERNATIONAL APPLICATION PUBLISHED UNDER THE PATENT COOPERATION TREATY (PCT)

(19) World Intellectual Property Organization  
International Bureau(43) International Publication Date  
14 December 2000 (14.12.2000)

PCT

(10) International Publication Number  
**WO 00/75434 A1**

- (51) International Patent Classification<sup>7</sup>: E02B 3/10, 7/00 (74) Agent: BARKER BRETTELL; Medina Chambers, Town Quay, Southampton, Hampshire SO14 2AQ (GB).
- (21) International Application Number: PCT/GB00/02103
- (22) International Filing Date: 1 June 2000 (01.06.2000)
- (25) Filing Language: English
- (26) Publication Language: English
- (30) Priority Data:  
9912661.7 2 June 1999 (02.06.1999) GB  
0005275.3 6 March 2000 (06.03.2000) GB
- (71) Applicant (for all designated States except US): BRUCE, Patrick, Joseph [GB/GB]; Viewlands, Lockhams Road, Curdridge, Hampshire SO32 2BD (GB).
- (81) Designated States (national): AE, AG, AL, AM, AT, AU, AZ, BA, BB, BG, BR, BY, CA, CH, CN, CR, CU, CZ, DE, DK, DM, DZ, EE, ES, FI, GB, GD, GE, GH, GM, HR, HU, ID, IL, IN, IS, JP, KE, KG, KP, KR, KZ, LC, LK, LR, LS, LT, LU, LV, MA, MD, MG, MK, MN, MW, MX, MZ, NO, NZ, PL, PT, RO, RU, SD, SE, SG, SI, SK, SL, TJ, TM, TR, TT, TZ, UA, UG, US, UZ, VN, YU, ZA, ZW.
- (84) Designated States (regional): ARIPO patent (GH, GM, KE, LS, MW, MZ, SD, SL, SZ, TZ, UG, ZW), Eurasian patent (AM, AZ, BY, KG, KZ, MD, RU, TJ, TM), European patent (AT, BE, CH, CY, DE, DK, ES, FI, FR, GB, GR, IE, IT, LU, MC, NL, PT, SE), OAPI patent (BF, BJ, CF, CG, CI, CM, GA, GN, GW, ML, MR, NE, SN, TD, TG).

(71) Applicants and

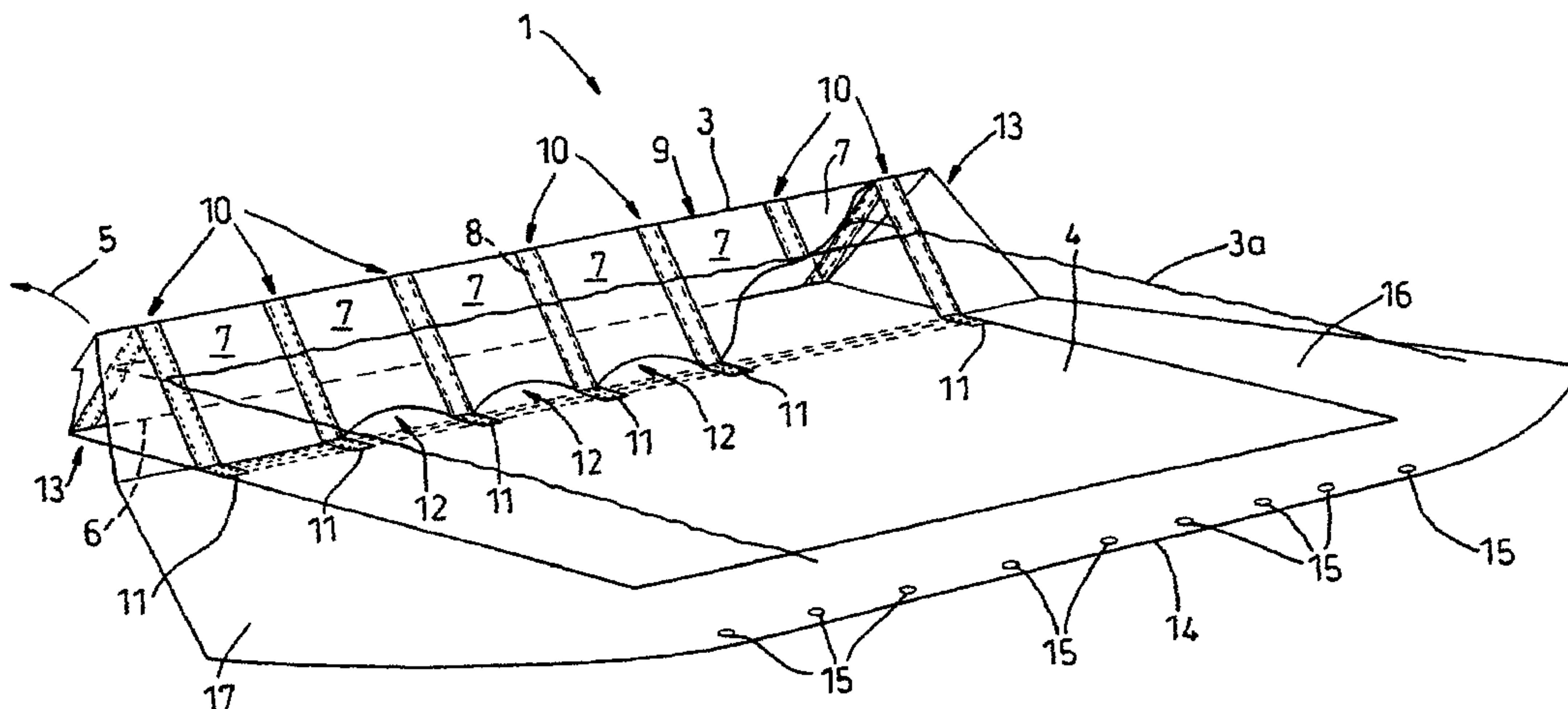
(72) Inventors: WALKER, Andrew, Gordon [GB/GB]; 236 Weston Lane, Sholing, Southampton, Hampshire SO19 9HL (GB). WARD, Nicholas, Edward [GB/GB]; 236 Weston Lane, Sholing, Southampton, Hampshire SO19 9HL (GB).

Published:

— With international search report.

For two-letter codes and other abbreviations, refer to the "Guidance Notes on Codes and Abbreviations" appearing at the beginning of each regular issue of the PCT Gazette.

(54) Title: A RAPID EMERGENCY DAM



(57) Abstract: The present invention relates to a rapid emergency dam. During adverse weather conditions heavy rain can lead to rivers breaking their banks and lakes overflowing causing flooding to the surrounding countryside. Coastline defences can also be breached by increased sea swell and large waves. A fluid barrier section (1) of the present invention comprises an elongate rectangular fluid barrier sheet (2), an apron (4) extending from the lowermost edge (6) of the fluid barrier (2), an elongate rectangular front panel (7) and support means in the form of a plurality of support ribs (8). The fluid barrier sheet (2) is of a flexible fluid impermeable material such as plastics, rubber, waterproof canvas, nylons or any other suitable natural or man made material. A preferred material for the barrier sheet (2) is a fluid impermeable tear resistant flexible foil. In one preferred embodiment of the present invention the lowermost edge (6) of the fluid barrier is bonded to one edge of the apron (4). The bond provides a fluid impermeable joint between the apron (4) and the fluid barrier sheet (2).



WO 00/75434 A1

## A RAPID EMERGENCY DAM

The present invention relates to a rapid emergency dam, and is concerned particularly, although not exclusively, with an emergency flood water barrier.

5 During adverse weather conditions heavy rain can lead to rivers breaking their banks and lakes overflowing causing flooding to the surrounding countryside. Coastline defences can also be breached by increased sea swell and large waves. The main form of defence against such flooding is to build a physical barrier constructed from sand bags. However, there  
10 is often little warning of flooding and the transport communications to remote locations can delay, or even prevent, the raw materials for the sand bags being delivered in time.

Another situation where a fluid barrier is required at short notice is where there has been a chemical or oil leak. In such cases it is important  
15 to prevent the spillage from spreading into neighbouring water supplies.

A barrier system may also be required to prevent the flow of particle matter such as snow or sand. A mass of small particles can move in a fluid-like manner. The movement of both snow and sand can have fluid characteristics. It is also desirable to be able to quickly erect a barrier  
20 system to prevent the movement of such matter.

According to a first aspect of the present invention there is provided a furlable fluid barrier section comprising a fluid barrier sheet, an apron extending from one lower edge of the fluid barrier sheet, support means operable to hold the fluid barrier sheet upwardly at an angle from the  
25 apron so forming an open structure, and tie means attached to the fluid

barrier sheet and being operable to restrain the fluid barrier sheet from substantial movement in a direction away from the apron.

Preferably in use anchoring means for the fluid barrier section is substantially provided by the mass of a fluid on the apron.

- 5 The term 'fluid' used herein refers to any type of liquid or particulate matter that behaves in a fluid-like manner such as, but not limited to, snow, earth, mud or sand.

The tie means preferably extends between the fluid barrier sheet and the apron.

- 10 Preferably in use anchoring means for the tie mean is substantially provided by the mass of a fluid on the apron.

Preferably the fluid barrier section comprises a porous panel that extends downwardly from the uppermost edge of the fluid barrier sheet in a direction towards the apron so forming a tent-like structure over the  
15 apron.

Preferably, the tie means comprises a number of straps.

Alternatively, the tie means is provided by the porous panel.

Preferably the porous panel comprises a mesh structure.

- 20 The lowermost edge of the porous panel preferably forms a series of fluid openings providing fluid communication to the inner space of the tent-like structure.

The support means is preferably a plurality of support members in the form a series of inverted V-shapes of which one side of the respective inverted V-shapes extends across the fluid barrier sheet. Preferably the second side of the respective inverted V-shapes extends across the porous  
5 panel.

In use the support members allow the fluid barrier section to be free standing.

Preferably the support members that extend across the fluid barrier sheet are provided with additional tie means to restrain the support members  
10 from deflection.

Preferably, the fluid barrier sheet is held substantially over the apron.

In an embodiment of the invention the fluid barrier section comprises a panel that extends downwardly from the uppermost edge of the fluid barrier sheet in a direction towards the apron so forming a tent-like  
15 structure over the apron, and the lowermost edge of the panel preferably forms a series of fluid openings providing fluid communication to the inner space of the tent-like structure

Preferably, the panel is made of the same material as the fluid barrier sheet.

20 It is preferable that the fluid barrier section is formed from a single flexible sheet having a first transverse fold line to form the apron and the fluid barrier sheet section; and a second transverse fold line at the apex of the tent-like structure to form the panel section.

Alternatively, the panel and fluid barrier sheet are both formed from a single flexible sheet wherein the panel is formed by the sheet being folded at the apex of the tent-like structure.

Preferably the respective support members are held within pockets  
5 attached to the fluid barrier sheet and pockets attached to the panel.

Preferably, the pockets attached to the panels provide the tie means.

Alternatively, the panel provides the tie means.

It is preferable that the fluid barrier section comprising additional tie means comprising a plurality of straps. Each strap preferably extends  
10 from the apron to a point between the ends of a support member that extend across the fluid barrier sheet.

Preferably each strap extends between a pair support members which form the inverted V-shape.

It is preferable that each strap extends from the mid-point of the first  
15 support member, that extend across the fluid barrier sheet, to the lowermost end of the second support member of a respective inverted V-shape. There is preferably a plurality of straps extending between each pair of support members forming the inverted V-shape.

In an alternative embodiment of the present invention the support means  
20 is a plurality of support members, each member being in the form of a L-shape of which one side of the respective L-shape extends across the fluid barrier sheet. Preferably the second side of the respective L-shape extends across the apron.

Preferably the apron comprises edge anchoring means, the arrangement being such that, in use, said means substantially prevents the edge of the apron from lifting under the influence of the advancing fluid.

The edge anchoring means preferably comprises anchoring pegs placed  
5 through respective holes formed in the edge margin of the apron.

Alternatively the anchoring means comprises a mass disposed on the edge of the apron.

Preferably the mass comprises a flexible chain or cord disposed on the edge of the apron.

10 Preferably the apron further comprises a margin of material of a lesser thickness than the thickness of the main region of the apron. One edge of the apron preferably comprises the anchoring means. Once erected the length of the apron from the lowermost edge of the fluid barrier sheet is preferably greater than the height of the fluid barrier sheet from the  
15 ground. Preferably the length of the apron is up to ten times the height of the fluid barrier sheet.

The side edges of the margin preferably comprise attachment means, the arrangement being such that in use the attachment means secures together the respective adjacent edges of adjacent fluid barrier sections so forming  
20 a fluid seal there between.

Preferably, the fluid barrier section provides fluid energy absorbing means, the arrangement being such that in use a fluid barrier section is capable of absorbing a force exerted on the fluid barrier sheet by a fluid.

Preferably, the fluid barrier section provides fluid energy damping means, the arrangement being such that in use a fluid barrier section is capable of damping a force exerted on the fluid barrier sheet by a fluid.

According to a second aspect of the present invention there is provided a  
5 furlable barrier section comprising a substantially flexible barrier means,  
a flexible apron extending from a lower edge of the barrier means and  
support means operative to hold the barrier means upwardly at an angle  
from the apron so forming an open structure, the arrangement being such  
that in use the barrier means prevents the flow of a substance through the  
10 flexible barrier means.

The barrier means preferably extends upwardly over the apron.

Preferably in use anchoring means for the barrier means is substantially provided by the weight of the substance on the apron.

The barrier section preferably comprises tie means operable to restrain  
15 the flexible barrier means from substantial movement in a direction away  
from the apron.

The support means is preferably a plurality of support members in the form a series of V-shapes of which one side of the respective inverted V-shape extends across the barrier means. In use the support members  
20 allow the barrier section to be free standing.

Preferably the barrier means comprises a sheet of mesh netting that extends downwardly from the apex of the inverted V-shaped support members.

In use the sheet mesh netting allows liquid and gasses to pass there through whilst substantially preventing particle matter such as silt, sand and/or snow from passes through the mesh netting structure.

According to a third aspect of the present invention there is provided a  
5 method of constructing a fluid barrier section comprising a fluid barrier sheet, an apron extending from one lower edge of the fluid barrier sheet and an integral support device, the method comprising a first step of placing the apron onto a surface by unfurling the fluid barrier section and  
10 a second step of erecting the integral support device to hold the fluid barrier sheet upwardly at an angle from the apron so forming an open structure.

The invention may include any combination of the features or limitations referred to herein.

The present invention can be put into practice in various ways, but an  
15 embodiment will now be described by way of reference only with reference to the accompanying diagrammatic drawings in which:

**Figure 1** shows a perspective view of an embodiment of a fluid barrier section with a cutaway section on the right hand side;

**Figure 2** shows a plan view of a shorter version of the fluid barrier  
20 section shown in Figure 1 without the section cutaway and showing the support ribs;

**Figure 3** shows a perspective view of a second embodiment of a fluid barrier section with a cutaway section on the right-hand side;

Figure 4 shows a side view of the fluid barrier section shown in Figure 3;

Figure 5 shows a perspective view of a third embodiment of a fluid barrier section;

5 Figure 6 shows a side view of the fluid barrier section shown in Figure 5, and

Figure 7 shows some typical loading values for the fluid barrier section retaining one metre of flood water.

Referring to Figures 1 and 2, a fluid barrier section 1 comprises an  
10 elongate rectangular fluid barrier sheet 2, an apron 4 extending from the lowermost edge 6 of the fluid barrier 2, an elongate rectangular front panel 7 and support means in the form of a plurality of support ribs 8.

The fluid barrier sheet 2 is of a flexible fluid impermeable material such as plastics, rubber, waterproof canvas, nylons or any other suitable  
15 natural or man made material. A preferred material for the barrier sheet 2 is a fluid impermeable tear resistant flexible foil. In one preferred embodiment of the present invention the lowermost edge 6 of the fluid barrier is bonded to one edge of the apron 4. The bond provides a fluid impermeable joint between the apron 4 and the fluid barrier  
20 sheet 2.

The front panel 7 extends downwardly from the uppermost edge of the fluid barrier section 2. The uppermost edge of the front panel 7 is bonded to the uppermost edge of the fluid barrier sheet 2 so forming an apex 3 when erected. In a preferred embodiment the front panel 7 is a

mesh or netting. Alternatively, the front panel 7 is of the same material as the fluid barrier sheet 2.

Any suitable method such as heat sealing, stitching by adhesive compounds or thermal welding may be used to bond together the elements  
5 of the fluid barrier section.

The support ribs 8 are held within a series of spaced pockets 10 bonded onto the surfaces of the fluid barrier sheet 2 and the front panel 7. Pairs of ribs 8 form an inverted V arrangement.

In an alternative arrangement the support ribs 8 and pockets 10 bonded to  
10 the fluid barrier sheet 2 are staggered with respect to the support ribs 8 and pockets 10 bonded to front panel 7.

One of the lowermost distal ends 11 of each pocket 10 is bonded to the apron 4. The fluid barrier sheet 2 and the front panel 7 form a tent-like structure 9 over the apron 4. The pockets 10 and ribs 8 extend from the  
15 apex 3 of the structure 9 downwardly towards the ground. The ribs 8 provide the support means to allow the structure 9 to be free standing when the fluid barrier section has been laid on the ground and erected. The ribs 8 can be of any suitable material such as, but not limited to, wood, metal, carbon fibre or plastics. The tent-like structure 9 is open at  
20 both ends 13.

The lowermost edge of the front panel 7 and the uppermost surface of the apron 4 define a series of gaps 12 which span between the respective pockets 10. The gaps 12 provide fluid access to the interior of the tent-like structure 9.

The first two adjacent pockets 10 and the last two adjacent pockets 10 at the respective ends of the front panel 7 do not have a fluid gap 12 formed there between.

Extending around three edges of the apron 4 there is a skirt 14. The skirt 5 14 is of a thinner material thickness than the thickness of the apron 4. This is to provide better surface sealing means.

The front margin of the skirt 14 is formed with a plurality of holes 15 through which anchoring pegs can be placed. The skirt 14 and the apron 4 provide passive anchoring and fluid sealing means for the fluid 10 barrier section and are preferably of the same material as the fluid barrier sheet 2. The skirt 14 is formed with two arcuate side sections 16,17.

The arcuate side section 16 extends along a side edge 4a of the apron 4 and extends along the edge of the first pair of pockets 10a forming an inverted V-shape.

15 The arcuate side section 17 extends along a side edge 4b of the apron 4 and along the edge of the last pair of pockets 10b forming an inverted V-shape.

When two or more fluid barrier sections 1 are placed side by side the respective side sections 16,17 overlap one another and provide fluid 20 sealing means therebetween. In certain circumstances it may be necessary for a series of fluid barrier sections 1 to follow a tortuous path to avoid obstacles. The arcuate shape of the side sections 16,17 enables the respective fluid barrier sections 1 to be placed at an angle to one another to assist a turn or bend in the fluid barrier. The respective side 25 sections 16,17 will be laid on each other in such an arrangement so that the flow of water across the surface of the skirt 14 does not tend to lift

the edge of the side sections 16,17. The respective skirts 14 of the barrier sections 1 are held in position using any suitable method such as Velcro (TM) strips 17a (see Figure 2), or alternatively plastic zips, eyes and hooks or rope lacing.

- 5 The length of the apron 4 and the skirt 14 from the edge 6 is preferably greater than the height of the apex of the tent structure 9. It is also preferable that the length of the apron 4 and the skirt 14 from the edge 6 is about ten times the height of the apex of the tent structure 9.

- A typical height of the tent structure 9 is between 1 to 2 meters.  
10 However, different sizes of tent structure and barrier section can be used depending upon the particular emergency.

A vent hole 18 is formed in the upper region of the barrier sheet 2 to allow air to escape when the flood water enters the tent-like structure through the gaps 12.

- 15 The individual fluid barrier sections 1 are rolled or folded when not in use. Due to the flexible nature of the material used the fluid barrier sections 1 can be stored or transported efficiently. To store the fluid barrier section 1 the fluid barrier section 2 and the front panel 7 of tent-like structure 9 are closed together and laid on top of the apron 4. The  
20 whole fluid barrier section 1 is then rolled along the edge 6 of the fluid barrier section 1 so forming a tube.

The method of deploying the fluid barrier will now be described.

- To deploy a fluid barrier a first fluid barrier section 1 is unrolled. The apron 4 and front panel 7 face the direction from which the floodwater is  
25 expected to flow. The tent-like structure 9 is erected and remains

upright. Anchoring pegs (not shown) are placed through the holes 15. The anchoring pegs help prevent the front edge of the skirt 14 and the apron 4 from being lifted by the advancing flood water. A second fluid barrier section 1 is then unrolled beside the first fluid barrier section 1.

5 The respective side sections 16,17 of the two fluid barrier sections will over lay one another. The uppermost side section will be arranged such that the flow of the advancing water will not tend to lift the edge of the uppermost side section. The respective sides of the adjacent tent-like structures 9 will abut and be removably attached together by suitable

10 means such as plastic zips or Velcro (TM) strips 17a (see Figure 2) so forming a fluid tight seal. The method of deployment is repeated until the length of the fluid barrier is sufficient.

The fluid barrier sections 1 prevent the advance of the floodwater. As the level 3a (see Figure 1) of the water rises the downward vertical force

15 on the apron 4 and skirt 14 increases due to the mass of the water. This increase of force provides a proportional increase in the anchoring force and fluid sealing means for the fluid barrier sections. Effectively the fluid barrier sections 1 use the weight of the flood water to keep the fluid barrier in place and prevent the flood water seeping between the ground

20 and the underside of the apron 4 and skirt 14. The vertical force exerted on the barrier sections 1 by the flood water is distributed over the whole area of the aprons 4 of the fluid barrier sections 1.

Due to the flexible nature of the barrier sections 1 the completed fluid barrier will automatically follow the contours of the landscape on which

25 the barrier sections 1 are placed.

It will be appreciated by the skilled person that the flood water will exert a horizontal force and a vertical force on the barrier sheet. The horizontal force will be exerted on the fluid barrier sheets 2 of the barrier

sections 1 and this force will tend to push the fluid barrier sheets 2 in a direction away from the apron 4. The pockets 10 on the front panels 7 act as tie means and resist the horizontal force. As the level of the flood water rises up the fluid barrier sheets 1 the regions of the fluid barrier sections 2 that are in contact with the flood water become substantially rigid due to the water pressure. The lowermost portion of the fluid barrier sheets 2 become taut and will bulge slightly under the pressure of the flood water. The supporting function of the ribs 8 decreases as the barrier sections 1 become more rigid.

10 The uppermost portion of the fluid barrier sheets 2 is restrained from substantial movement in a direction 5 away from the aprons 4 by the pockets 10 bonded to the front panels 7. The pockets 10 provide tie means between the fluid barrier sheets 2 and the aprons 4. The mass of the flood water on the aprons 4 provides anchoring means for  
15 substantially restraining the pockets 10, and in particular the lowermost ends of the pockets 10, from being lifted up.

Referring to Figures 3 and 4, this embodiment is substantially the same as that described with reference to Figures 1 and 2 of the accompanying drawings and therefore similar reference numerals have been used to  
20 describe similar elements and further description of these elements will not be given. However, with this particular embodiment a fluid barrier section 19 comprises support ribs 8 that extend across the fluid barrier sheet 2 that are provided with additional bracing in the form of tie straps  
25 20. The straps 20 extend from the mid-point of the support ribs extending across the fluid barrier sheet 2 to the lowermost end of the support ribs that extend across the front panel 7.

The tie straps 20 help prevent the support ribs 8, that extend across the fluid barrier sheet 2, from deflecting in a direction away from the apron when the flood water enters the tent-like structure 9.

One end portion 21 of the respective straps 20 is secured to the apron 4.

5 The uppermost region of the front panel 7 is formed with a series of venting slots 23. Each slot 23 extends between adjacent pairs of support members 8. The slots 23 provide venting means for the tent-like structure 9. When the flood water fills the inner space of the tent-like structure 9 through the gaps 12 the air within the tent-like structure can  
10 escape through the slots 23.

Attached to the front edge 24 of the apron there is a series of eight ringlets 26 and disposed on the uppermost surface of the apron 4 adjacent the edge 24 is a flexible cord 28. The cord 28 can be metal or a dense fibrous rope material. The ringlets 26 and cord 28 provide the edge 24  
15 with anchoring means such that, in use, the advancing flood water does not lift the edge 24.

In a preferred embodiment the edge anchoring means is provided by a metal chain. Alternatively the anchoring means is provided by a flexible strip that extends from the edge 24 and is partially buried in the ground.  
20 It will be appreciated that any other suitable mass could be used to provide the anchoring means for the edge 24 such as, rocks, earth or sandbags.

It is known that flood water carries a substantial amount of silt and debris. Some of this may collect within the tent-like structure 9. After  
25 the flood waters have subsided the slots 23 provide access to wash out any debris through the gaps 12.

The present invention can be use as a barrier for solid particle matter such as, but not limited to, sand or snow. In such use the weight of the matter on the apron of the barrier provides the anchoring means for the barrier. It will be appreciated that in such use the barrier sheet 2 does not  
5 need to be a fluid barrier and a mesh or netting could be used to prevent the movement of the particle matter.

Referring to Figures 5 and 6, this embodiment is substantially the same as that described with reference to Figures 3 and 4 of the accompanying drawings and therefore similar reference numerals have been used to  
10 describe similar elements and further description of these elements will not be given. However, with this particular embodiment a fluid barrier section 30 does not include a front panel extending from the uppermost edge of the barrier sheet 2. The support means for the barrier sheet 2 is provided by a series of L-shaped devices 32. The devices 32 hold the  
15 barrier sheet 2 upwardly away from the apron 4 as shown in Figures 5 and 6.

Each device 32 comprises a section 34 that extends upwardly across the barrier sheet 2 and a leg section 36 that extends horizontally across the apron 4. The section 34 and the leg section 36 join each other at a pivot  
20 38. The devices 32 are resiliently collapsible about the pivot 38. When a force is applied to the barrier sheet 2 in a direction 40 the sections 34 of the L-shaped devices 32 can be closed against the leg sections 34 so that the barrier sheet 2 can be flatten against the apron 4. The barrier section 30 may then be rolled up, or furled, to form a tube-shape.

25 Nine tie straps 42 each extend from the uppermost edge of the barrier sheet 2 to the apron 4. In use as the level of the flood water rises up the fluid barrier sheet 2 the lowermost portion of the fluid barrier sheet 2 becomes taut and will bulge slightly under the pressure of the flood

water. The supporting function of the devices 32 will decrease as the barrier sections 1 become more rigid. The straps 42 provide tie means between the fluid barrier sheet 2 and the apron 4. The straps 42 substantially restrain the fluid barrier sheet 2 from movement in a direction opposite to the direction 40 and away from the apron 4.

Due to the flexible nature of all of the barrier section embodiments described herein the barrier sections provide fluid energy absorbing means such that in use the barrier section is capable of absorbing a force exerted on the fluid barrier sheet by the wave motion of the flood water. The barrier sections may also provide fluid energy damping means such that in use the fluid barrier section is capable of damping a force exerted on the fluid barrier sheet by the wave motion of the flood water.

It will be appreciated that all embodiments of the invention hereinbefore described can be easily and quickly erected as there is no need for specialist tools or knowledge.

**CLAIMS**

1. A furlable fluid barrier section (1) characterised in that the furlable fluid barrier section (1) comprises a fluid barrier sheet (2), an apron (4) extending from one lower edge (6) of the fluid barrier sheet (2), support means and tie means attached to the fluid barrier sheet (2), the arrangement being such that in use the support means holds the fluid barrier sheet (2) upwardly at an angle from the apron (4) so forming an open structure and the tie means restrains the movement of the fluid barrier sheet with respect to the apron (4).
2. A furlable fluid barrier section (1) as claimed in claim 1 wherein, in use, anchoring means for the fluid barrier section (1) is substantially provided by the mass of a fluid on the apron (4).
3. A furlable fluid barrier section (1) as claimed in claim 1 or claim 2, wherein the tie means extends between the fluid barrier sheet (2) and the apron (4).
4. A furlable fluid barrier section (1) as claimed in claim 2 or claim 3, wherein in use anchoring means for the tie mean is substantially provided by the mass of a fluid on the apron (4).
5. A furlable fluid barrier section (1) as claimed in any one of the claims 2 to 4, wherein the fluid barrier section (1) comprises a porous panel (7) that extends downwardly from the uppermost edge (3) of the fluid barrier sheet (2) in a direction towards the apron (4) so forming a tent-like structure (9) over the apron (4).

6. A furlable fluid barrier section (1) as claimed in any one of the claims 2 to 5, wherein the tie means comprises a number of straps (10, 20, 42).
7. A furlable fluid barrier section (1) as claimed in any one of the claims 2 to 5, wherein the tie means is provided by the porous panel (7).
8. A furlable fluid barrier section (1) as claimed in any one of the claims 5 to 7, wherein the porous panel (7) comprises a mesh structure.
9. A furlable fluid barrier section (1) as claimed in any one of the claims 5 to 8, wherein the lowermost edge of the porous panel (7) forms a series of fluid openings (12) providing fluid communication to the inner space of the tent-like structure (9).
10. A furlable fluid barrier section (1) as claimed in any one of the claims 1 to 8, wherein the support means is a plurality of support members (8) in the form a series of inverted V-shapes of which one side of the respective inverted V-shapes extends across the fluid barrier sheet (2).
11. A furlable fluid barrier section (1) as claimed in claim 10, wherein the second side of the respective inverted V-shapes extends across the porous panel (7).
12. A furlable fluid barrier section (1) as claimed in claim 10, wherein in use the support members (8) allow the fluid barrier section (1) to be free standing.

13. A furlable fluid barrier section (1) as claimed in claim 10 or claim 11, wherein the support members (8) that extend across the fluid barrier sheet (2) are provided with additional tie means (20) to restrain the support members (8) from deflection.

5 14. A furlable fluid barrier section (1) as claimed in any one of the preceding claims, wherein the fluid barrier sheet (2) is held substantially over the apron (4).

10 15. A furlable fluid barrier section (1) as claimed in any one of claims 1 to 4, wherein the fluid barrier section (1) comprises a panel (7) that extends downwardly from the uppermost edge (3) of the fluid barrier sheet (2) in a direction towards the apron (4) so forming a tent-like structure (9) over the apron (4), and the lowermost edge of the panel forms a series of fluid openings (12) providing fluid communication to the inner space of the tent-like structure (9).

15 16. A furlable fluid barrier section (1) as claimed in claim 15, wherein the panel (7) is made of the same material as the fluid barrier sheet (2).

20 17. A furlable fluid barrier section (1) as claimed in claim 15 or claim 16, wherein the fluid barrier section (1) is formed from a single flexible sheet having a first transverse fold line to form the apron (4) and the fluid barrier sheet (2); and a second transverse fold line at the apex (3) of the tent-like structure (9) to form the panel section (7).

25 18. A furlable fluid barrier section (1) as claimed in claim 15 or claim 16, wherein the panel (7) and fluid barrier sheet (2) are both formed from a single flexible sheet wherein the panel (7) is formed by the sheet being folded at the apex (3) of the tent-like structure (9).

19. A furlable fluid barrier section (1) as claimed in any one of claims 15 or claim 18, wherein the respective support members (8) are held within pockets (10) attached to the fluid barrier sheet (2) and the pockets (10) are attached to the panel (7).
- 5 20. A furlable fluid barrier section (1) as claimed in claim 19, wherein the pockets (10) attached to the panel (7) provide the tie means.
21. A furlable fluid barrier section (1) as claimed in claim 19, wherein the panel (7) provides the tie means.
22. A furlable fluid barrier section (1) as claimed in any one of the  
10 preceding claims, wherein the fluid barrier section (1) comprises additional tie means comprising a plurality of straps (20).
23. A furlable fluid barrier section (1) as claimed in claim 22, wherein each strap (20) extends from the apron (4) to a point between the ends of a support member (8) that extend across the fluid barrier sheet (2).
- 15 24. A furlable fluid barrier section (1) as claimed in any one of claims 9 to 21, wherein the fluid barrier section (1) comprises additional tie means comprising a plurality of straps (20), each strap extends between a pair of support members (8) which form the inverted V-shape.
- 20 25. A furlable fluid barrier section as claimed in claim 24, wherein a first support member (8) of a pair of support members extends across the fluid barrier sheet (2) and each strap (20) extends from the mid-point of the first member (8) to the lowermost end of a second support member (8) of each pair of support members.

26. A furlable fluid barrier section (1) as claimed in claim 25, wherein there is a plurality of straps (20) extending between each pair of support members forming the inverted V-shape.

27. A furlable fluid barrier section (1) as claimed in any one of claims 1  
5 to 9, wherein the support means is a plurality of support members (32), each member (32) being in the form of a L-shape of which one side (34) of the respective L-shape extends across a portion of the fluid barrier sheet (2).

28. A furlable fluid barrier section (1) as claimed in claim 27, wherein  
10 the second side (36) of the respective L-shape extends across a portion of the apron (4).

29. A furlable fluid barrier section (1) as claimed in any one of the preceding claims, wherein the apron (4) comprises edge anchoring means, the arrangement being such that, in use, said means substantially prevents  
15 an edge of the apron from lifting under the influence of the advancing fluid.

30. A furlable fluid barrier section (1) as claimed in claim 29, wherein the edge anchoring means comprises anchoring pegs placed through respective holes (15) formed in the edge margin of the apron (4).

20 31. A furlable fluid barrier section (1) as claimed in claim 29, wherein the anchoring means comprises a mass disposed on the edge of the apron (4).

32. A furlable fluid barrier section (1) as claimed in claim 31, wherein the mass comprises a flexible chain or cord (28) disposed on the edge of  
25 the apron (4).

33. A furlable fluid barrier section (1) as claimed in any one of the preceding claims, wherein the apron (4) further comprises a margin (14) of material of a lesser thickness than the thickness of the main region of the apron (4).
- 5 34. A furlable fluid barrier section (1) as claimed in any one of claims 29 to 33, wherein one edge of the apron (4) comprises the anchoring means.
- 10 35. A furlable fluid barrier section (1) as claimed in any one of the preceding claims, wherein once erected the length of the apron (4) from the lowermost edge (6) of the fluid barrier sheet (2) is greater than the height of the fluid barrier sheet (2) from the ground.
36. A furlable fluid barrier section (1) as claimed in any one of the preceding claims, wherein the length of the apron (4) is up to ten times the height of the fluid barrier sheet (2).
- 15 37. A furlable fluid barrier section (1) as claimed in any one of the preceding claims, wherein the side edges (16, 17) of the margin (14) comprise attachment means, the arrangement being such that in use the attachment means secures together the respective adjacent edges of adjacent fluid barrier section (1)s so forming a fluid seal therebetween.
- 20 38. A furlable fluid barrier section (1) as claimed in any one of the preceding claims, wherein the fluid barrier section (1) provides fluid energy absorbing means, the arrangement being such that in use a fluid barrier section (1) is capable of absorbing a force exerted on the fluid barrier sheet (2) by a fluid.

39. A furlable fluid barrier section (1) as claimed in any one of the preceding claims, wherein the fluid barrier section (1) provides fluid energy damping means, the arrangement being such that in use a fluid barrier section (1) is capable of damping a force exerted on the fluid barrier sheet (2) by a fluid.

40. A furlable barrier section (1) comprising a substantially flexible barrier means, a flexible apron (4) extending from a lower edge (6) of the barrier means and support means, the arrangement being such that in use the support means holds the barrier means upwardly at an angle over the apron (4), and the barrier means prevents the flow of a substance through the flexible barrier means.

41. A furlable barrier section (1) as claimed in claim 40, wherein the barrier means and the apron form a substantially open structure.

42. A furlable barrier section (1) as claimed in claim 40 or claim 41, wherein in use anchoring means for the barrier means is substantially provided by the weight of the substance on the apron (4).

43. A furlable barrier section (1) as claimed in any one of claims 40 to 42, wherein the barrier section (1) comprises tie means operable to restrain the flexible barrier means from substantial movement in a direction away from the apron (4).

44. A furlable barrier section (1) as claimed in any one of claims 40 to 43, wherein the support means is a plurality of support members (8) in the form a series of V-shapes of which one side of the respective inverted V-shape extends across the barrier means.

45. A furlable barrier section (1) as claimed claim 44, wherein the barrier means comprises a sheet of mesh netting (2) that extends downwardly from the apex (3) of the inverted V-shaped support members (8).

5 46. A furlable barrier section (1) as claimed in claim 45, wherein in use the sheet mesh netting (2) allows liquid and gasses to pass there through whilst substantially preventing particle matter such as silt, sand and/or snow from passes through the mesh netting structure (2).

10 47. A method of constructing a fluid barrier section (1) comprising a fluid barrier sheet (2), an apron (4) extending from one lower edge (6) of the fluid barrier sheet (2) and an integral support device, the method comprising a first step of placing the apron (4) onto a surface by unfurling the fluid barrier section (1) and a second step of erecting the integral support device to hold the fluid barrier sheet (2) upwardly at an  
15 angle from the apron (4) so forming an open structure.

1/5

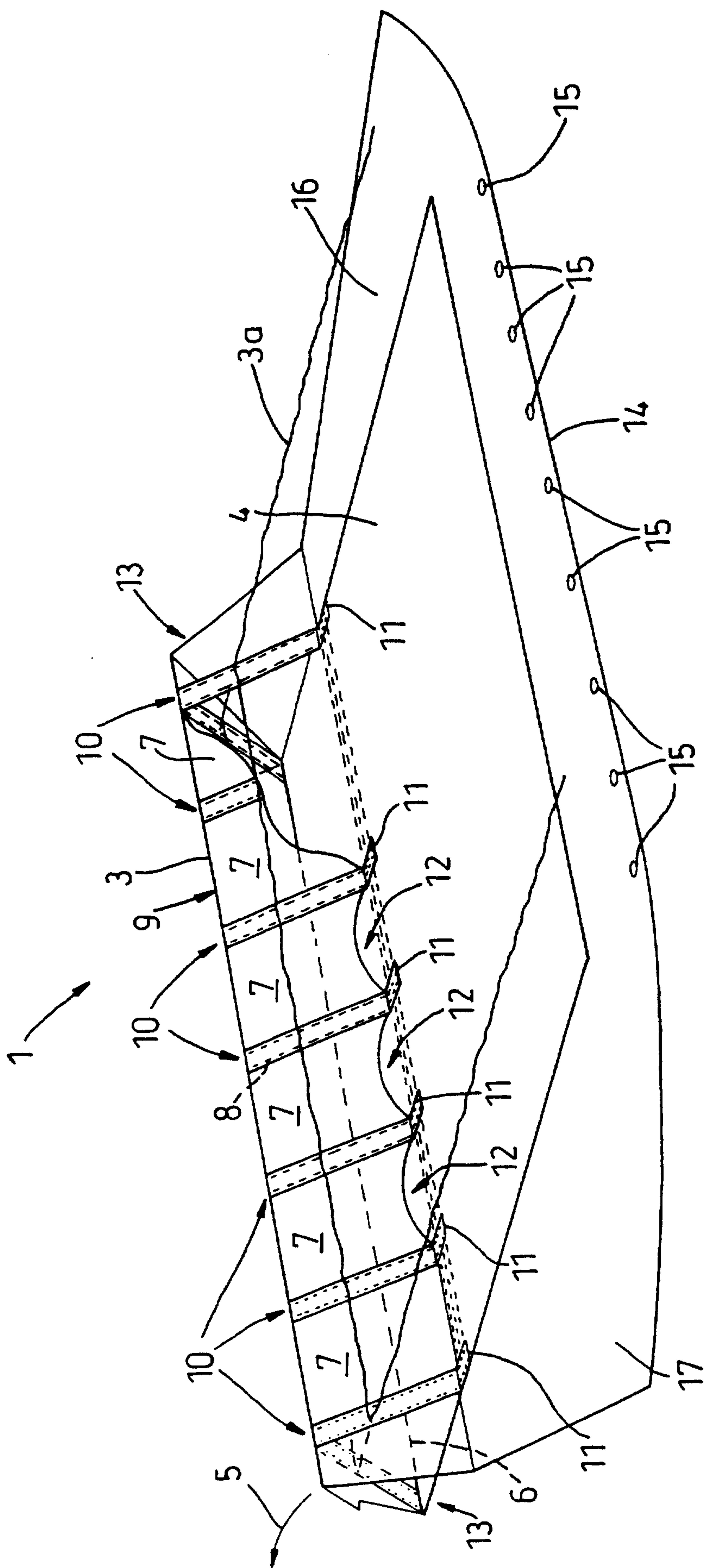


Fig. 1

2/5

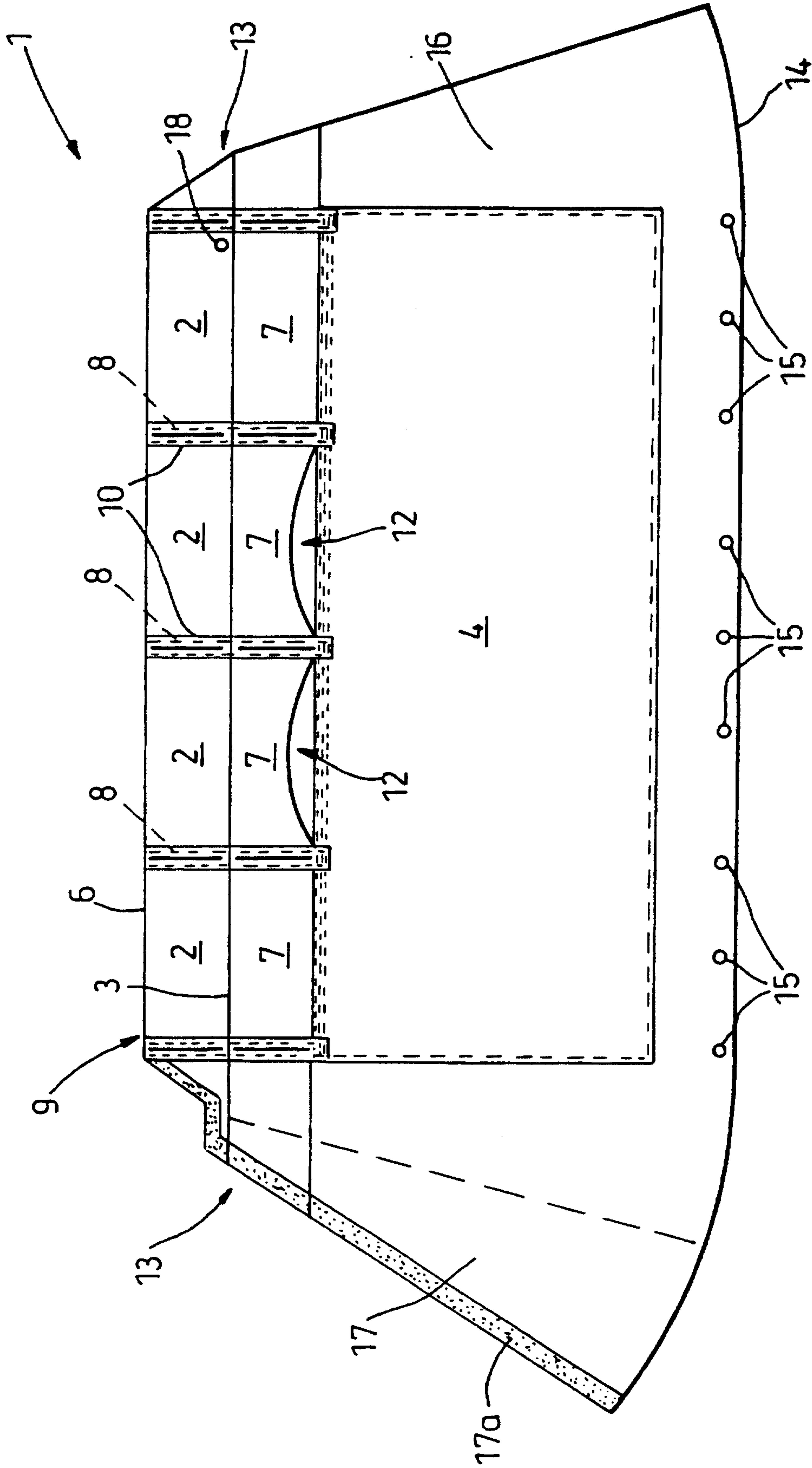


Fig. 2



4/5

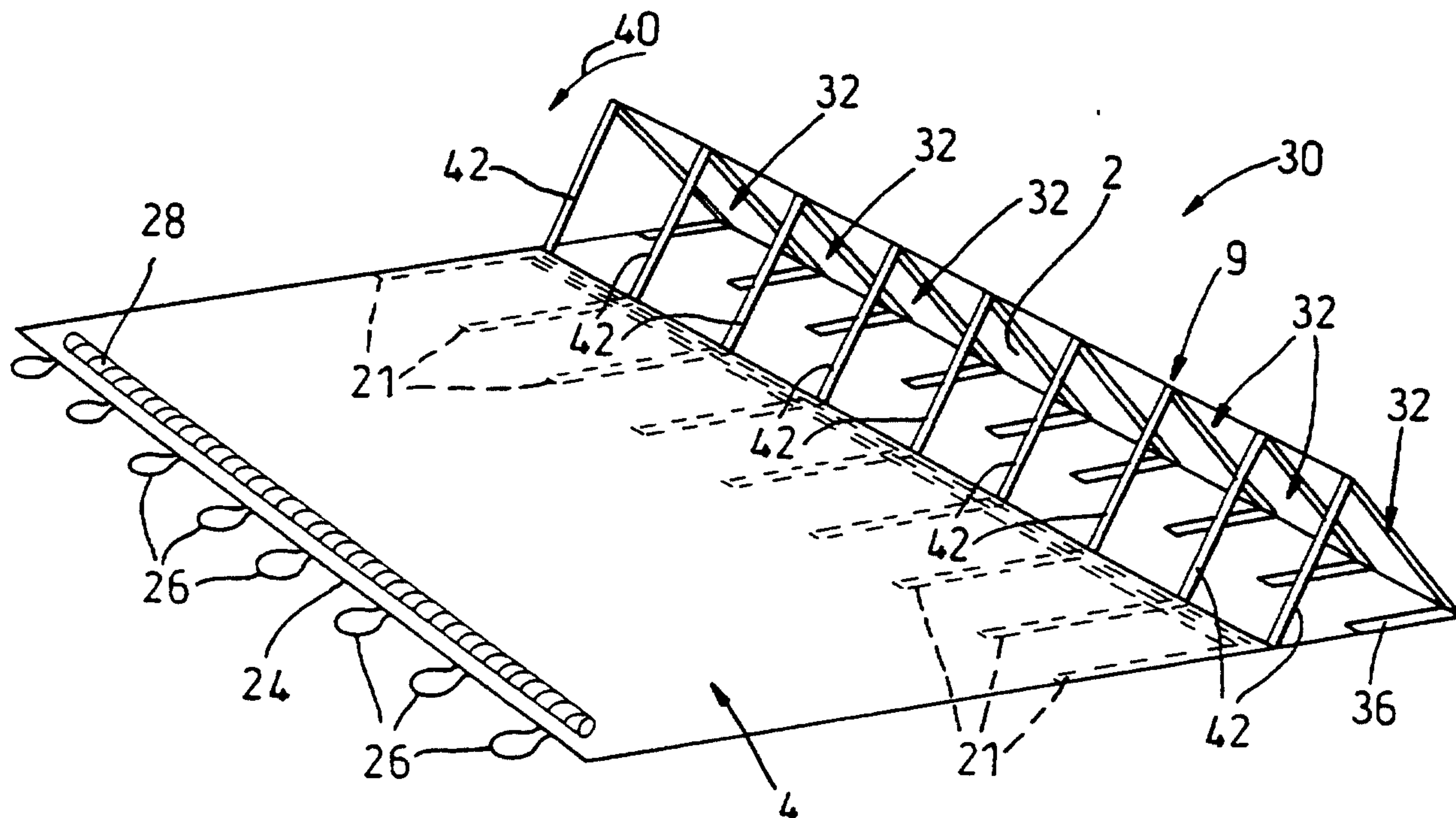


Fig. 5

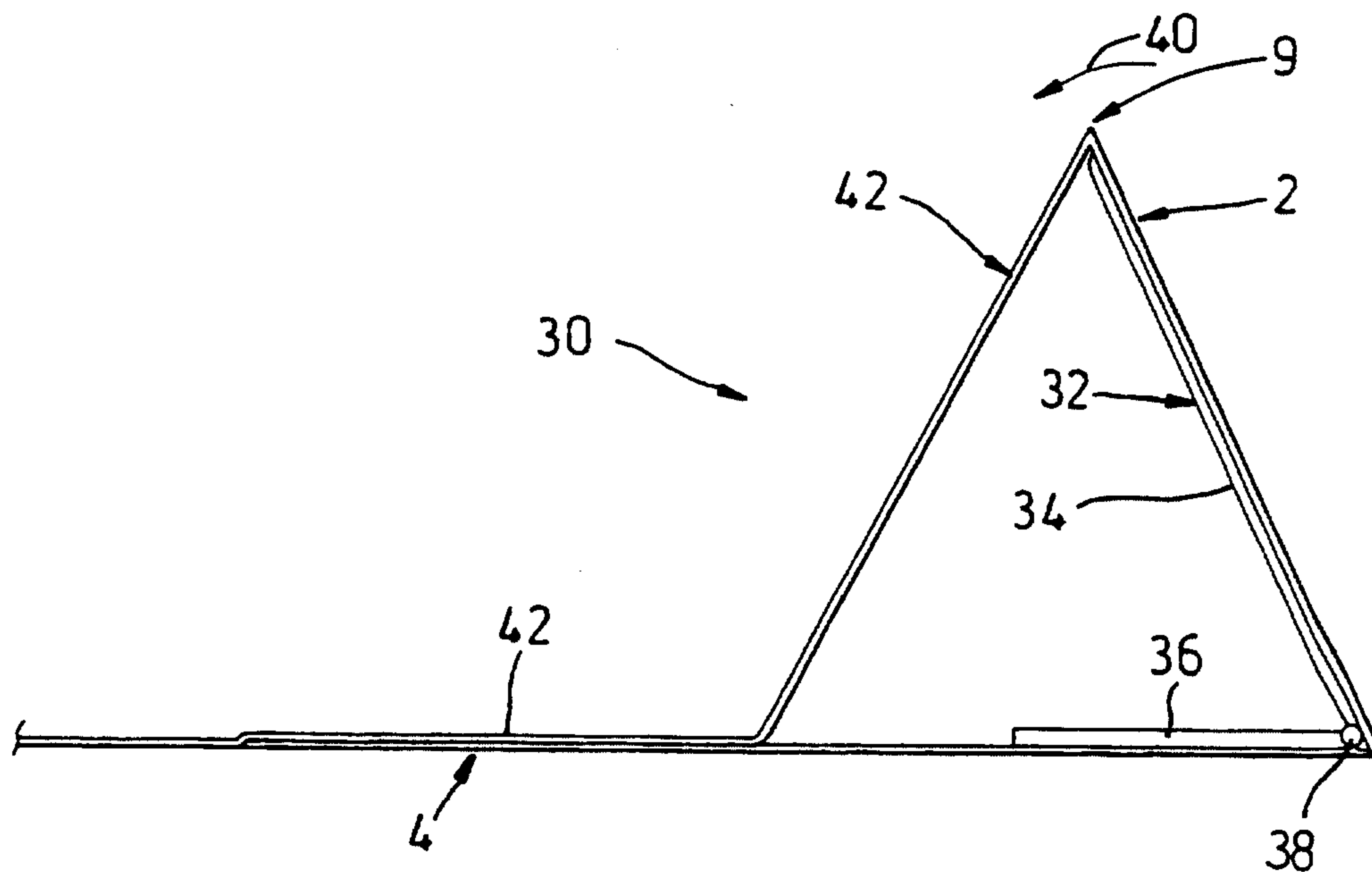


Fig. 6

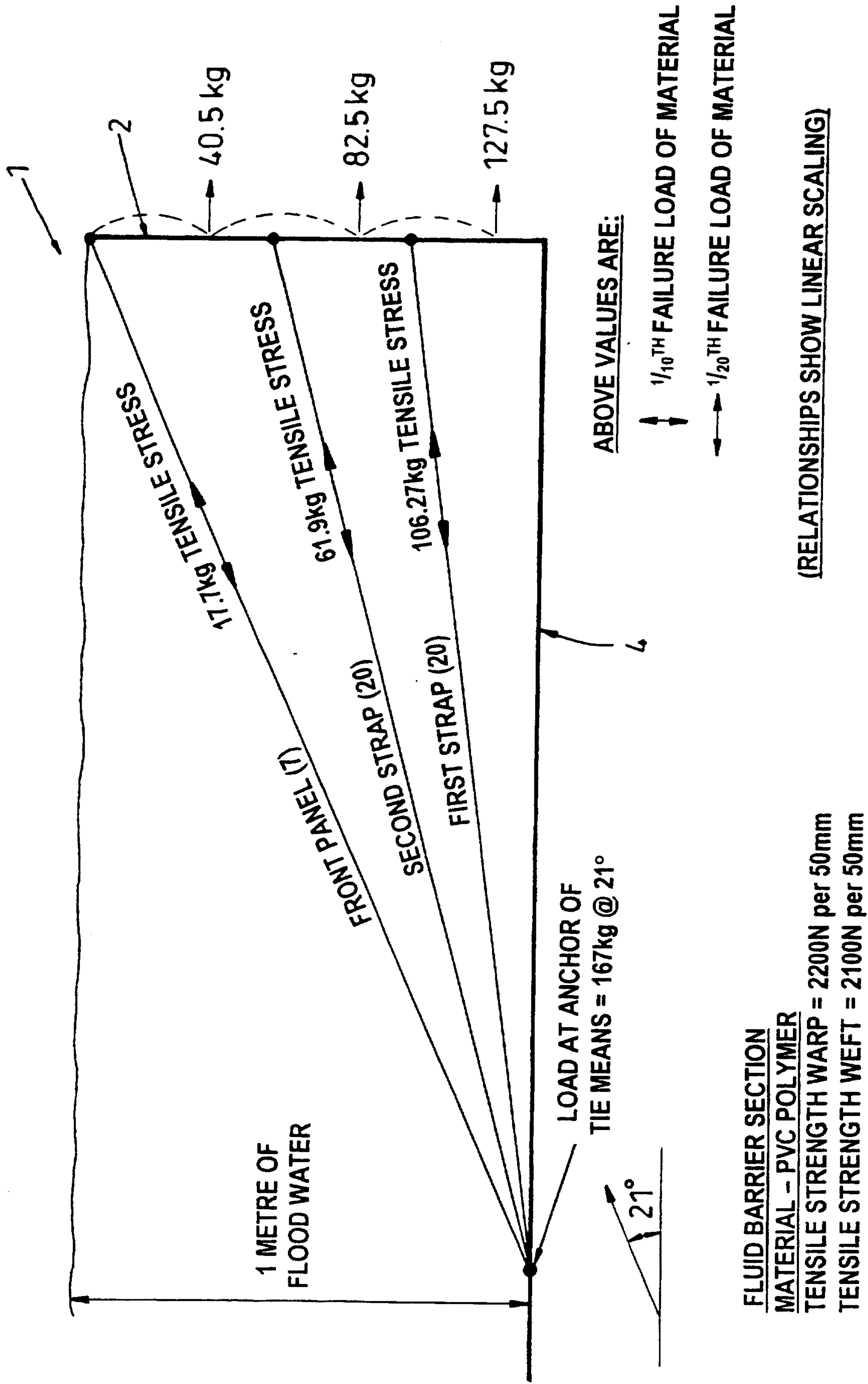


Fig. 7

