

175,669

## SURFBOARD

Leonard W. Cheslak, Detroit, Mich.

Application February 24, 1955, Serial No. 34,689

Term of patent 7 years

(Cl. D71-1)

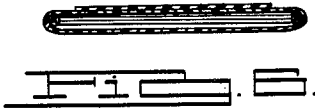
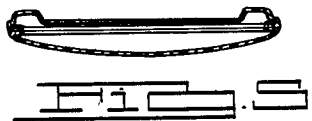
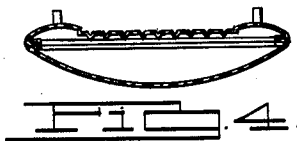
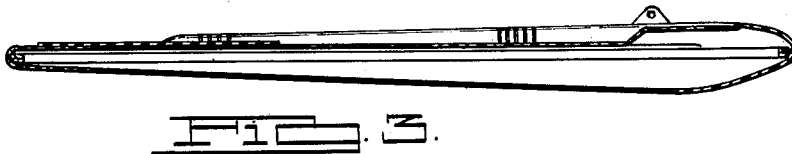
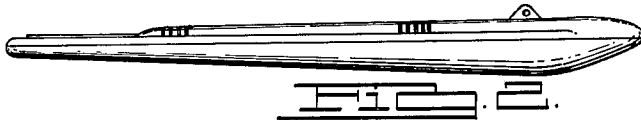
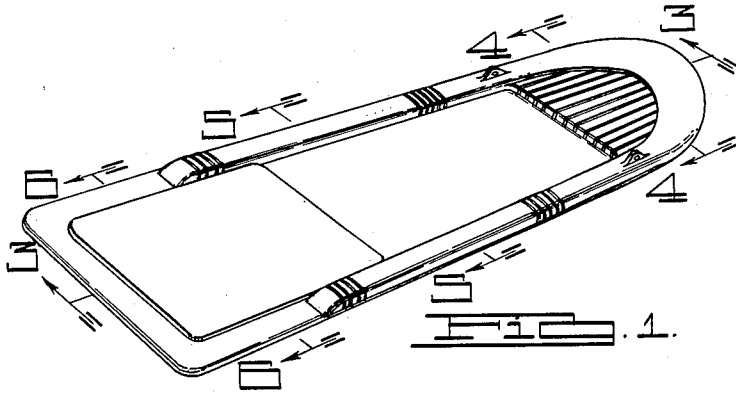


Fig. 1 is a perspective view of a surfboard embodying my new design;

Fig. 2 is a side elevation;

Fig. 3 is a sectional elevational view taken along the line 3-3 of Fig. 1;

Fig. 4 is a sectional elevational view taken along the line 4-4 of Fig. 1;

Fig. 5 is a sectional elevational view taken along the line 5-5 of Fig. 1; and

Fig. 6 is a sectional elevational view taken along the line 6-6 of Fig. 1.

I claim:

The ornamental design for a surfboard, substantially as shown.

### References Cited in the file of this patent

UNITED STATES PATENTS

2,110,812 Negri ..... Mar. 8, 1938