



US00D726997S

(12) **United States Design Patent**
Lewis et al.

(10) **Patent No.:** **US D726,997 S**

(45) **Date of Patent:** **** Apr. 21, 2015**

(54) **SUN SHADE ATTACHMENT**

D379,679 S 6/1997 Poole
5,657,490 A * 8/1997 Edmark 2/182.1
5,727,250 A 3/1998 Black

(Continued)

(71) Applicants: **Lloyd Lewis**, Dallas, TX (US);
Charlotte Lewis, Dallas, TX (US)

(72) Inventors: **Lloyd Lewis**, Dallas, TX (US);
Charlotte Lewis, Dallas, TX (US)

(**) Term: **14 Years**

FOREIGN PATENT DOCUMENTS

AU 108212 * 7/1990
AU 110467 * 3/1991
AU 154358 * 1/2004

(21) Appl. No.: **29/474,309**

OTHER PUBLICATIONS

(22) Filed: **Aug. 7, 2014**

MSA Hard Hat Sun Shield (on-line), dated Jun. 19, 2012. Retrieved from Internet Nov. 20, 2014, URL: <https://web.archive.org/web/20120619052804/http://www.coopersafety.com/product/msa-hard-hat-sun-shield-1752.aspx> (1 page).*

(51) **LOC (10) Cl.** **02-03**

(52) **U.S. Cl.**
USPC **D2/893**; D29/122; D2/877

(58) **Field of Classification Search**
CPC A42B 1/006; A42B 1/064; A42B 1/067;
A42B 1/18; A42B 1/20; A42B 1/201; A42B
1/205; A42B 1/206; A42B 3/04; A42B 3/08;
A42B 7/00
USPC D2/865, 866, 872, 873, 878, 879, 882,
D2/886, 888, 890, 891, 893, 875, 877;
2/171.03, 171.1, 171.3, 171.4, 171.5,
2/171.6, 171.7, 171.8, 172, 184.5, 206,
2/207, 209.11, 209.12, 209.13, 175.1,
2/175.2, 175.3, 175.5, 175.6, 195.1,
2/195.7, 10, 6.1, 6.3, 6.5, 6.7, 63, 171,
2/181.4, 205, 410, 422, 424; D29/102,
D29/103, 104, 105, 106, 107, 122, 108, 109,
D29/110

See application file for complete search history.

Primary Examiner — Karen E. Eldridge Powers
Assistant Examiner — Kimberly Barnes
(74) *Attorney, Agent, or Firm* — Paul R. Martin

(57) **CLAIM**

The ornamental design for a sun shade attachment, as shown and described.

DESCRIPTION

FIG. 1 is a perspective view of the sun shade attachment of our new design showing it being attached to a conventional hardhat.

FIG. 2 is another front perspective view of the sun shade thereof, this view showing the sun shade without a hard-hat; FIG. 3 is a bottom plan view of the attachment shown in FIG. 2.

FIG. 4 is a top plan view thereof.

FIG. 5 is a front elevational view thereof.

FIG. 6 is a rear elevational view thereof.

FIG. 7 is a left side elevational view thereof; and,

FIG. 8 is a right side elevational view thereof.

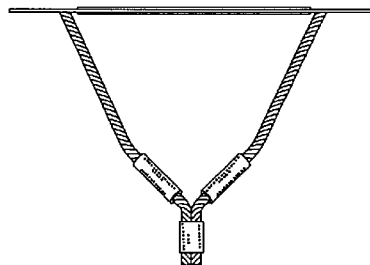
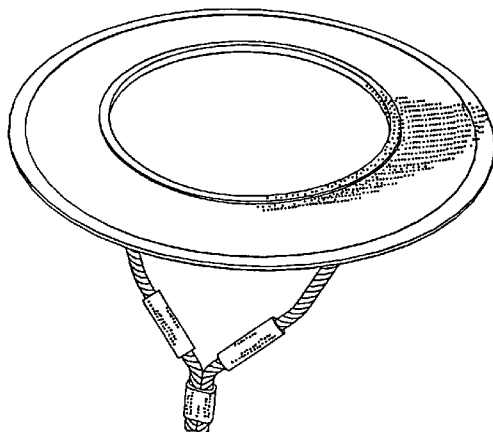
The broken lines in FIG. 1, outlining the crown of a conventional hard hat, is an environmental element and forms no part of our new design.

(56) **References Cited**

U.S. PATENT DOCUMENTS

317,972 A * 5/1885 Cary 2/175.6
606,982 A * 7/1898 Smyth 2/171.03
787,390 A * 4/1905 Nash 2/175.5
1,283,357 A * 10/1918 Thompson 2/174
1,560,073 A * 11/1925 Bontempi et al. 2/171.02
2,743,455 A * 5/1956 Langness 2/209.11
2,934,767 A 5/1960 Schoener
4,316,289 A 2/1982 Hild

1 Claim, 4 Drawing Sheets



(56)

References Cited

U.S. PATENT DOCUMENTS

D399,992	S	*	10/1998	Edmark	D2/880
5,822,797	A	*	10/1998	Edmark	2/182.2
6,101,632	A	*	8/2000	Veazey	2/175.5
6,442,762	B1	*	9/2002	Neumann	2/175.7
6,484,323	B1	*	11/2002	Pu	2/410
D478,409	S	*	8/2003	Lesley	D2/873
D594,185	S	*	6/2009	Lacy	D2/879
D617,539	S	*	6/2010	Boles	D2/893
D619,788	S	*	7/2010	Lacy	D2/879
D659,292	S	*	5/2012	Bryan et al.	D29/122
D688,034	S	*	8/2013	Hafif	D2/893
8,550,099	B2	*	10/2013	Essex	135/33.2
2002/0162160	A1	*	11/2002	Anderson	2/200.1
2011/0099692	A1	*	5/2011	Essex	2/184.5
2012/0180193	A1	*	7/2012	Curriel	2/209.11

* cited by examiner

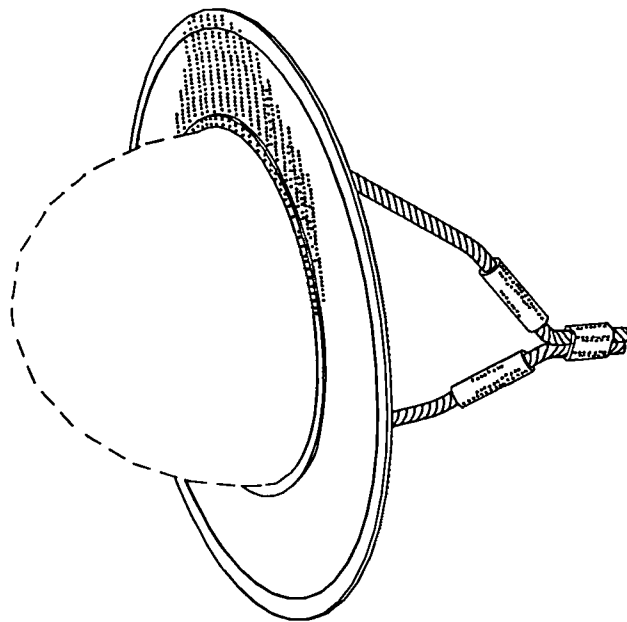


FIG. 1

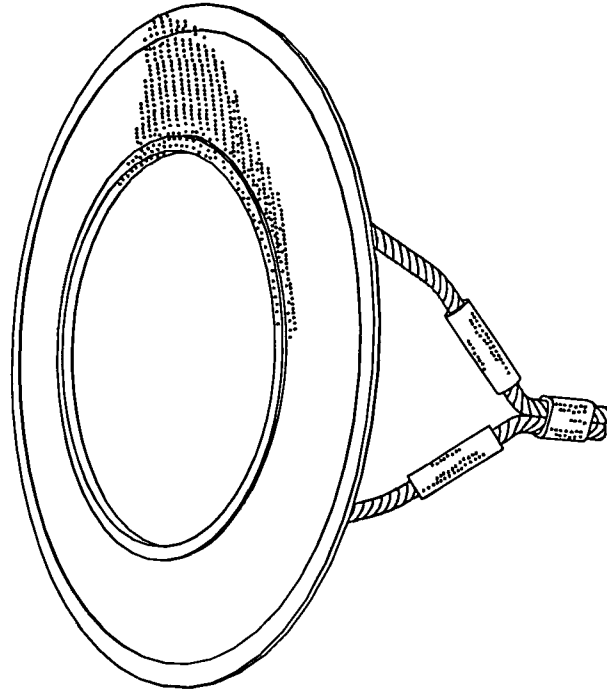


FIG. 2

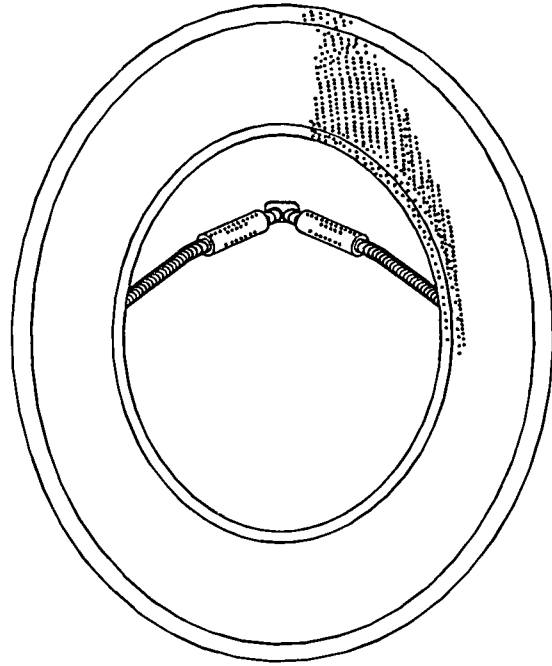


FIG. 4

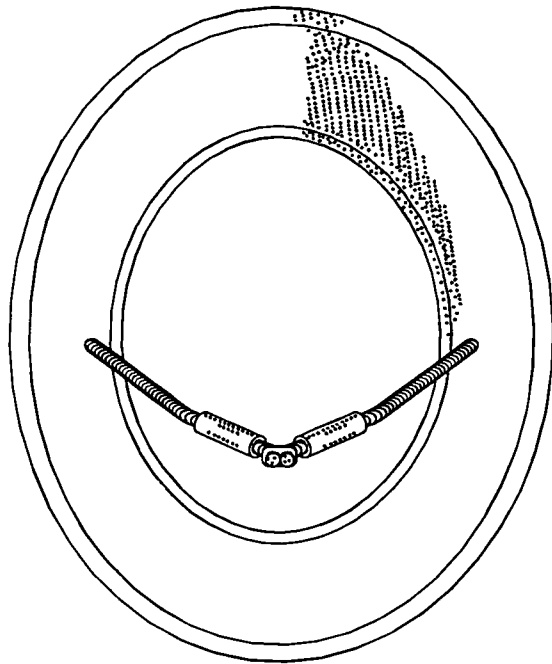


FIG. 3

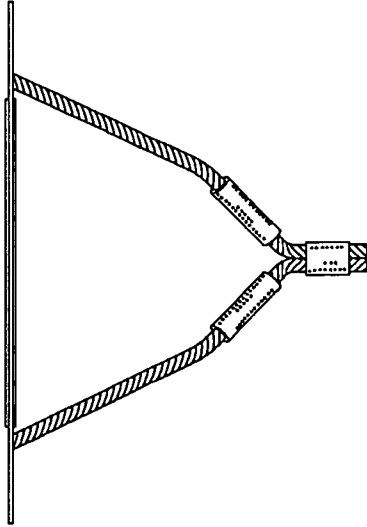


FIG. 6

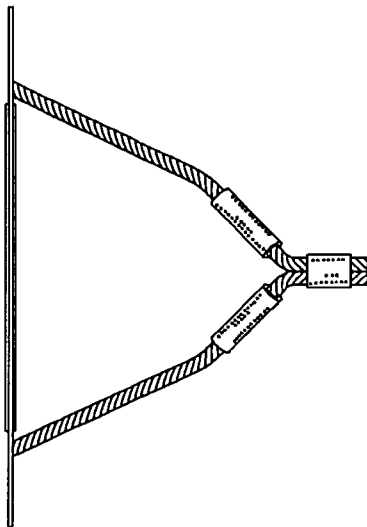


FIG. 5

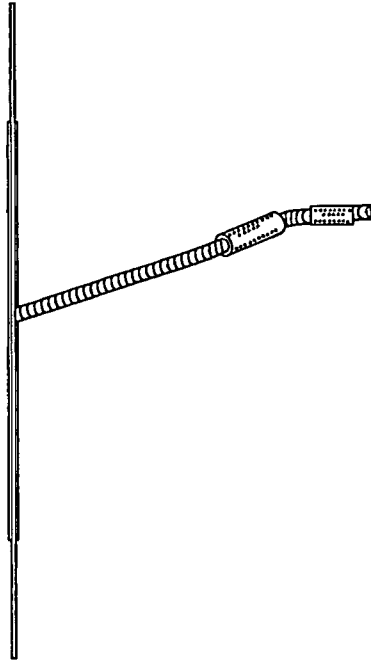


FIG. 8

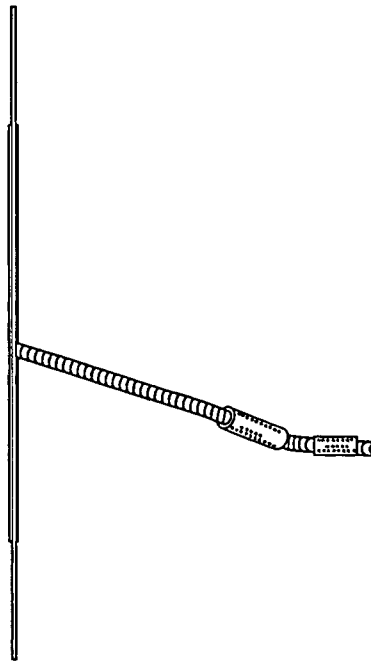


FIG. 7