



US00D347978S

# United States Patent [19]

[11] Patent Number: Des. 347,978

Ritota

[45] Date of Patent: \*\* Jun. 21, 1994

[54] COMBINATION CHEESE GRATER AND CONTAINER

4,928,893 5/1990 Prindle .

[76] Inventor: Michael Ritota, 6 Twilight Ct., Livingston, N.J. 07039

Primary Examiner—Terry A. Wallace  
Attorney, Agent, or Firm—Terry M. Gernstein

[\*\*] Term: 14 Years

[57] CLAIM

[21] Appl. No.: 873,049

The ornamental design for a combination cheese grater and container, as shown and described.

[22] Filed: Apr. 24, 1992

### DESCRIPTION

[52] U.S. Cl. .... D7/678

[58] Field of Search ..... D7/381, 669, 678;  
241/95, 100, 273.1-273.4

FIG. 1 is a perspective view of a combination cheese grater and container showing my new design; FIG. 2 is a front elevational view thereof; FIG. 3 is a rear elevational view thereof; FIG. 4 is a side elevational view thereof, the side opposite being a mirror image of the side shown in FIG. 4. FIG. 5 is a top plan view thereof; and, FIG. 6 is a bottom view thereof.

[56] References Cited

### U.S. PATENT DOCUMENTS

D. 32,672	5/1900	Weiser	.....	D7/678
1,677,448	7/1928	Hopkins	.....	241/273.3
2,087,101	7/1937	Cerracchio	.....	241/273.3 X
3,583,455	6/1971	Ostrowsky	.....	

The article shown is in a closed position in FIGS. 2-6 for clarity of illustration.

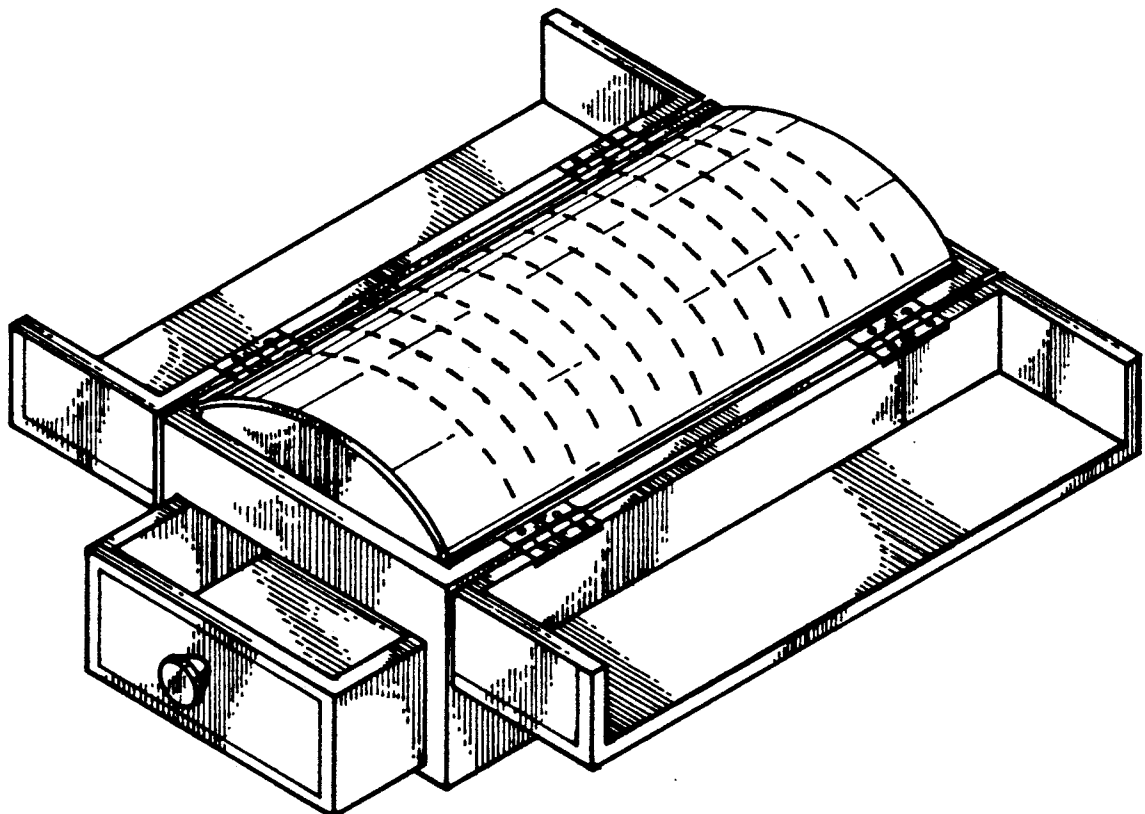
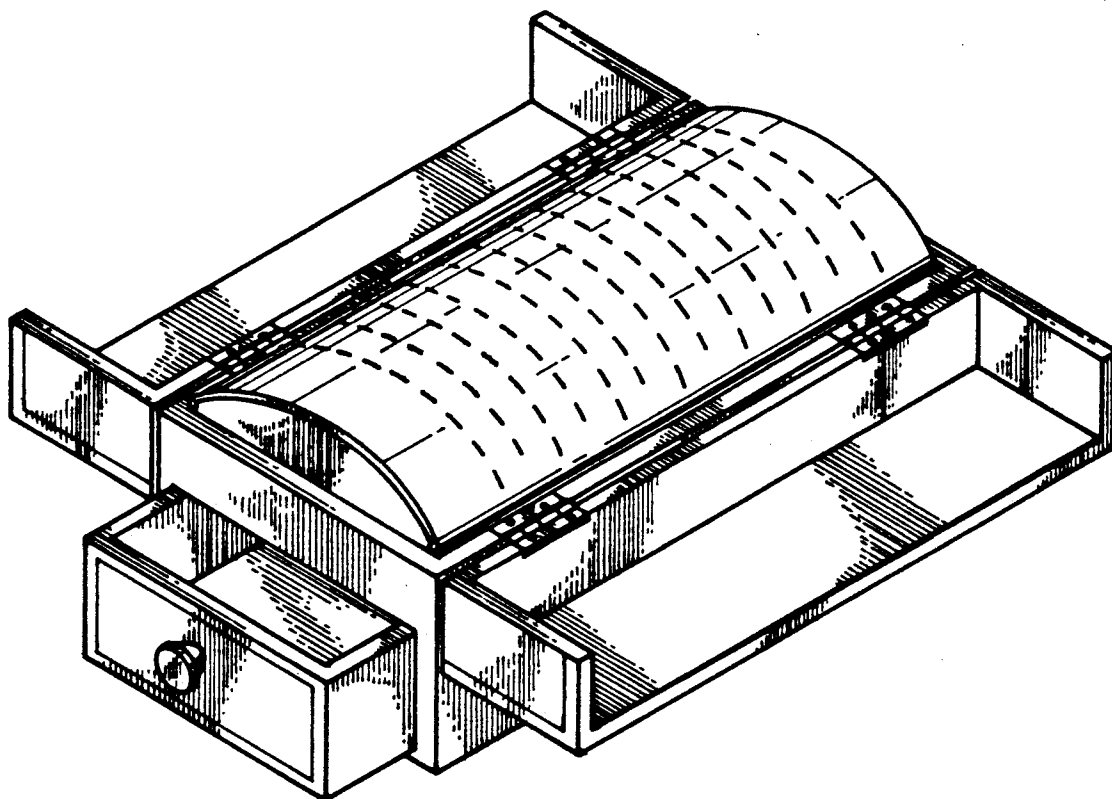


FIG. 1



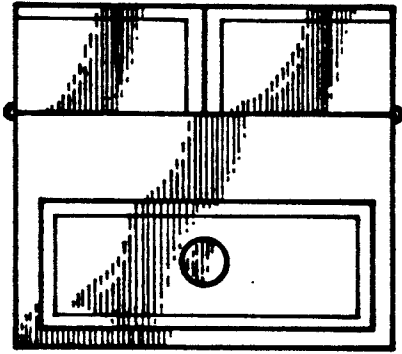


FIG. 2

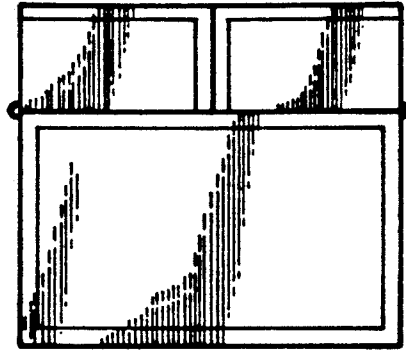


FIG. 3

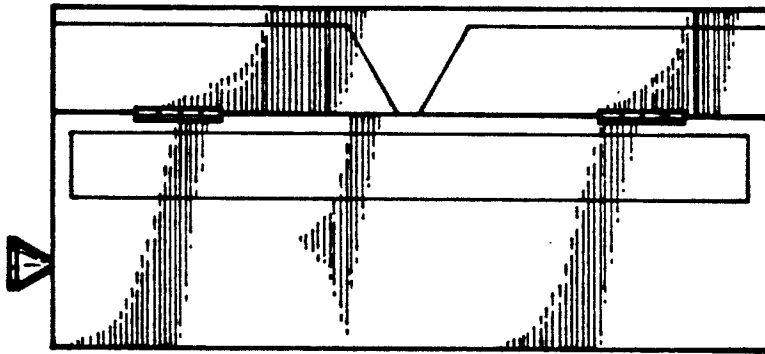


FIG. 4

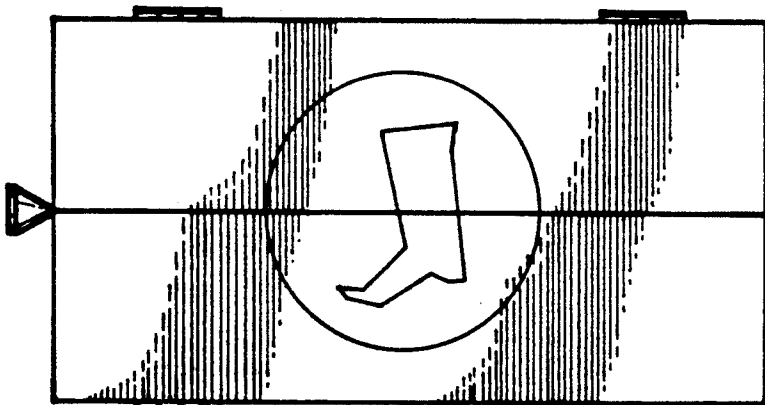


FIG. 5

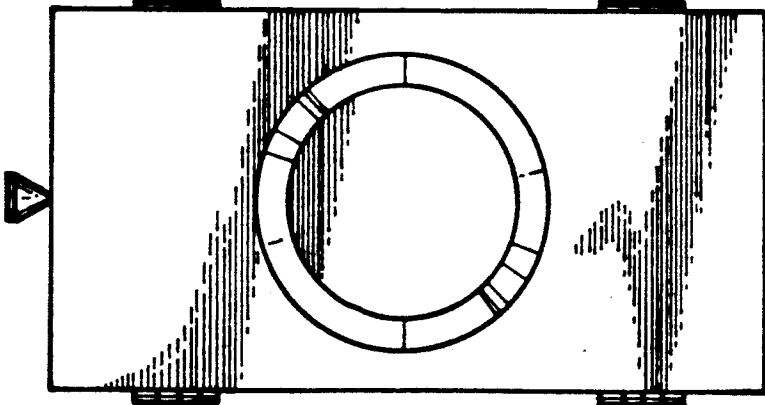


FIG. 6