

(19) World Intellectual Property Organization  
International Bureau



(43) International Publication Date  
28 December 2006 (28.12.2006)

PCT

(10) International Publication Number  
WO 2006/138307 A3

(51) International Patent Classification:  
B26F 3/00 (2006.01) B24C 5/04 (2006.01)

(74) Agents: CURATOLO, Joseph, G. et al.; Curatolo Sidoti Co., L.P.A., 24500 Center Ridge Road, Suite 280, Cleveland, OH 44145 (US).

(21) International Application Number:  
PCT/US2006/022981

(81) Designated States (unless otherwise indicated, for every kind of national protection available): AE, AG, AL, AM, AT, AU, AZ, BA, BB, BG, BR, BW, BY, BZ, CA, CH, CN, CO, CR, CU, CZ, DE, DK, DM, DZ, EC, EE, EG, ES, FI, GB, GD, GE, GH, GM, HR, HU, ID, IL, IN, IS, JP, KE, KG, KM, KN, KP, KR, KZ, LA, LC, LK, LR, LS, LT, LU, LV, LY, MA, MD, MG, MK, MN, MW, MX, MZ, NA, NG, NI, NO, NZ, OM, PG, PH, PL, PT, RO, RS, RU, SC, SD, SE, SG, SK, SL, SM, SY, TJ, TM, TN, TR, TT, TZ, UA, UG, US, UZ, VC, VN, ZA, ZM, ZW.

(22) International Filing Date: 14 June 2006 (14.06.2006)

(25) Filing Language: English

(26) Publication Language: English

(30) Priority Data:  
60/690,234 14 June 2005 (14.06.2005) US

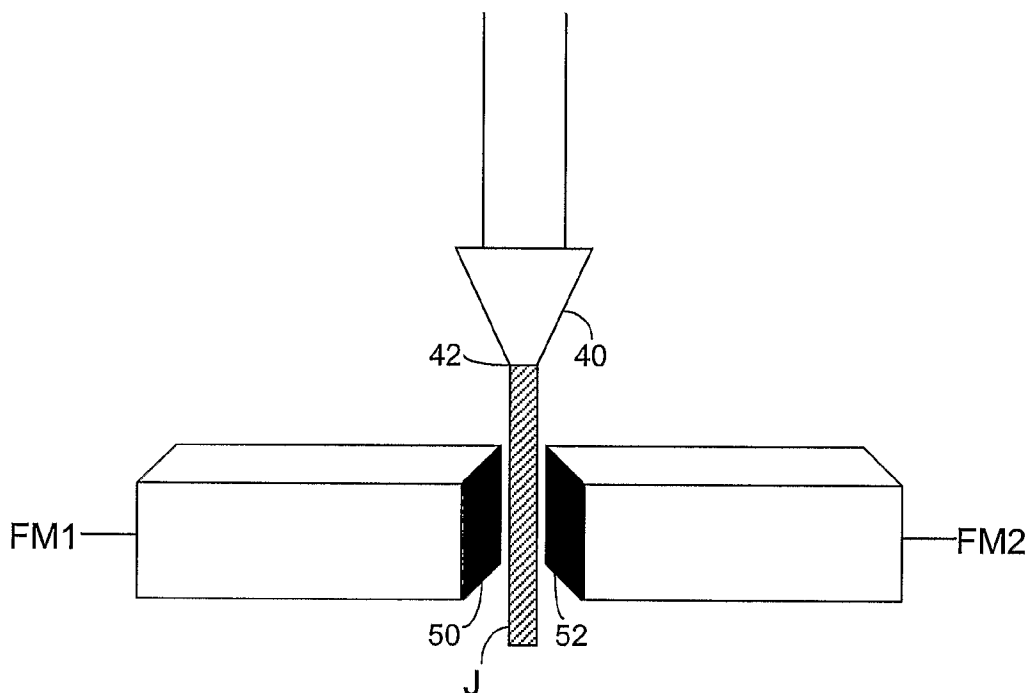
(71) Applicant (for all designated States except US):  
UNIFRAX CORPORATION [US/US]; 2351 Whirlpool Street, Niagara Falls, New York 14305-2413 (US).

(84) Designated States (unless otherwise indicated, for every kind of regional protection available): ARIPO (BW, GH, GM, KE, LS, MW, MZ, NA, SD, SL, SZ, TZ, UG, ZM, ZW), Eurasian (AM, AZ, BY, KG, KZ, MD, RU, TJ, TM), European (AT, BE, BG, CH, CY, CZ, DE, DK, EE, ES, FI, FR, GB, GR, HU, IE, IS, IT, LT, LU, LV, MC, NL, PL, PT, RO, SE, SI, SK, TR), OAPI (BF, BJ, CF, CG, CI, CM, GA, GN, GQ, GW, ML, MR, NE, SN, TD, TG).

(72) Inventors; and  
(75) Inventors/Applicants (for US only): KUMAR, Amit [IN/US]; 82r Pheasant Run Road, Amherst, New York 14228 (US). MISENAR, Scott Lee [US/US]; 59288 Hazel Road, South Bend, Indiana 46614 (US).

[Continued on next page]

(54) Title: FLUID JET CUTTING PROCESS



(57) Abstract: A fluid jet cutting process for fibrous materials, such as inorganic fibrous material articles is provided. A fluid composition for use in the fluid jet cutting process is also provided. The cutting fluid composition contains a carrier fluid and coating composition for the cut surfaces of the fibrous material. An apparatus for carrying out the fluid jet cutting process of fibrous materials is also provided.

WO 2006/138307 A3



**Published:**

- with international search report
- before the expiration of the time limit for amending the claims and to be republished in the event of receipt of amendments

*For two-letter codes and other abbreviations, refer to the "Guidance Notes on Codes and Abbreviations" appearing at the beginning of each regular issue of the PCT Gazette.*

**(88) Date of publication of the international search report:**

7 June 2007

# INTERNATIONAL SEARCH REPORT

International application No.

PCT/US06/22981

**A. CLASSIFICATION OF SUBJECT MATTER**  
 IPC: B26F 3/00( 2006.01)  
 B24C 5/04( 2006.01)

USPC: 83/53,177  
 According to International Patent Classification (IPC) or to both national classification and IPC

**B. FIELDS SEARCHED**

Minimum documentation searched (classification system followed by classification symbols)  
 U.S. : Please See Continuation Sheet

Documentation searched other than minimum documentation to the extent that such documents are included in the fields searched

Electronic data base consulted during the international search (name of data base and, where practicable, search terms used)  
 EAST

**C. DOCUMENTS CONSIDERED TO BE RELEVANT**

Category *	Citation of document, with indication, where appropriate, of the relevant passages	Relevant to claim No.
X --- Y	US 6,103,049 A (BATDROF) 15 August 2000 (15.08.2000), Figs. 1-4 and col. 3, lines 22-37 and col. 7, lines 41-59.	1-7, 10, 13-15, 17-18, and 20 ----- 8-9, 11-12, 19, and 21
X	US 2001/0046833 A1 (HASHISH et al.) 29 November 2001 (29.11.2001), Figs. 1-8 and paragraphs 6, 29, 33, and 36-40.	1-2 and 13-15
A	US 3,532,014 A (FRANZ) 06 October 1970 (06.10.1970), Figs. 1-2.	1-15, 17-21
A	US 2003/0148709 A1 (ANAND et al.) 07 August 2003 (07.08.2003), Figs. 1-3.	1-15, 17-21
A	US 2003/0037654 A1 (SCIULLI et al.) 27 February 2003 (27.02.2003), Figs. 1-4A.	1-15, 17-21

Further documents are listed in the continuation of Box C.       See patent family annex.

* Special categories of cited documents:	"T"	later document published after the international filing date or priority date and not in conflict with the application but cited to understand the principle or theory underlying the invention
"A" document defining the general state of the art which is not considered to be of particular relevance	"X"	document of particular relevance; the claimed invention cannot be considered novel or cannot be considered to involve an inventive step when the document is taken alone
"E" earlier application or patent published on or after the international filing date	"Y"	document of particular relevance; the claimed invention cannot be considered to involve an inventive step when the document is combined with one or more other such documents, such combination being obvious to a person skilled in the art
"L" document which may throw doubts on priority claim(s) or which is cited to establish the publication date of another citation or other special reason (as specified)	"&"	document member of the same patent family
"O" document referring to an oral disclosure, use, exhibition or other means		
"P" document published prior to the international filing date but later than the priority date claimed		

Date of the actual completion of the international search 22 February 2007 (22.02.2007)	Date of mailing of the international search report 16 APR 2007
Name and mailing address of the ISA/US Mail Stop PCT, Attn: ISA/US Commissioner for Patents P.O. Box 1450 Alexandria, Virginia 22313-1450 Facsimile No. (571) 273-3201	Authorized officer Boyer Ashley Telephone No. (571) 272-4501

# INTERNATIONAL SEARCH REPORT

International application No.

PCT/US06/22981

## Box No. II Observations where certain claims were found unsearchable (Continuation of item 2 of first sheet)

This international search report has not been established in respect of certain claims under Article 17(2)(a) for the following reasons:

1.  Claims Nos.:  
because they relate to subject matter not required to be searched by this Authority, namely:
  
2.  Claims Nos.:  
because they relate to parts of the international application that do not comply with the prescribed requirements to such an extent that no meaningful international search can be carried out, specifically:
  
3.  Claims Nos.: 16  
because they are dependent claims and are not drafted in accordance with the second and third sentences of Rule 6.4(a).

## Box No. III Observations where unity of invention is lacking (Continuation of item 3 of first sheet)

This International Searching Authority found multiple inventions in this international application, as follows:

1.  As all required additional search fees were timely paid by the applicant, this international search report covers all searchable claims.
  2.  As all searchable claims could be searched without effort justifying additional fees, this Authority did not invite payment of any additional fees.
  3.  As only some of the required additional search fees were timely paid by the applicant, this international search report covers only those claims for which fees were paid, specifically claims Nos.:
  
  4.  No required additional search fees were timely paid by the applicant. Consequently, this international search report is restricted to the invention first mentioned in the claims; it is covered by claims Nos.:
- Remark on Protest**
- The additional search fees were accompanied by the applicant's protest and, where applicable, the payment of a protest fee.
  - The additional search fees were accompanied by the applicant's protest but the applicable protest fee was not paid within the time limit specified in the invitation.
  - No protest accompanied the payment of additional search fees.

# INTERNATIONAL SEARCH REPORT

International application No.

PCT/US06/22981

Continuation of B. FIELDS SEARCHED Item 1:

83/53,177,76.1,451,286,22,27,76.6,76.8,51,287,289; 451/102,199,101,38,90,40,39; 239/433,310,318,434; 125/12; 156/251,515