



US00D855760S

(12) **United States Design Patent**
Lee

(10) **Patent No.:** **US D855,760 S**

(45) **Date of Patent:** **** Aug. 6, 2019**

- (54) **SPRAY HEAD FOR SHOWERS**
- (71) Applicant: **IONSPA Co., Ltd.**, Bucheon-si (KR)
- (72) Inventor: **SangHun Lee**, Incheon (KR)
- (73) Assignee: **IONSPA CO., LTD.**, Bucheon-si (KR)

D619,210 S *	7/2010	Jian	D23/223
D655,383 S *	3/2012	Flowers	D23/223
D659,797 S *	5/2012	Farley	D23/223
D737,931 S *	9/2015	Schoenherr	D23/223
D744,065 S *	11/2015	Peterson	D23/223
D751,669 S *	3/2016	Bahler	D23/223

* cited by examiner

(**) Term: **15 Years**

Primary Examiner — Robin V Webster

(21) Appl. No.: **29/638,384**

(74) *Attorney, Agent, or Firm* — Heedong Chae; Lucem, PC

(22) Filed: **Feb. 27, 2018**

(57) **CLAIM**

(30) **Foreign Application Priority Data**

The ornamental design for a spray head for showers, as shown and described.

Nov. 10, 2017 (KR) 30-2017-0052536

(51) **LOC (12) Cl.** **23-01**

(52) **U.S. Cl.**

USPC **D23/223**

(58) **Field of Classification Search**

USPC D23/213, 223, 226, 228

CPC .. B05B 1/00; B05B 1/02; B05B 1/005; B05B 1/14; B05B 1/18; B05B 1/185

See application file for complete search history.

DESCRIPTION

FIG. 1 is a front perspective view of a spray head for showers showing my design;

FIG. 2 is a front elevational view thereof;

FIG. 3 is a rear elevational view thereof;

FIG. 4 is a left side elevational view thereof;

FIG. 5 is a right side elevational view thereof;

FIG. 6 is a top plan view thereof; and,

FIG. 7 is a bottom plan view thereof.

The broken lines depict unclaimed environment and form no part of the claimed design.

(56) **References Cited**

U.S. PATENT DOCUMENTS

D457,598 S * 5/2002 Storti D23/223

D518,145 S * 3/2006 Nikles D23/223

1 Claim, 6 Drawing Sheets

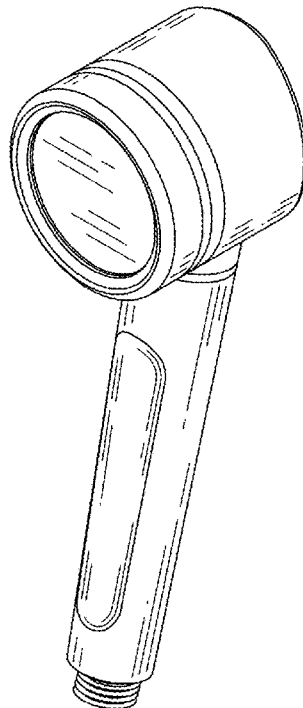


FIG. 1

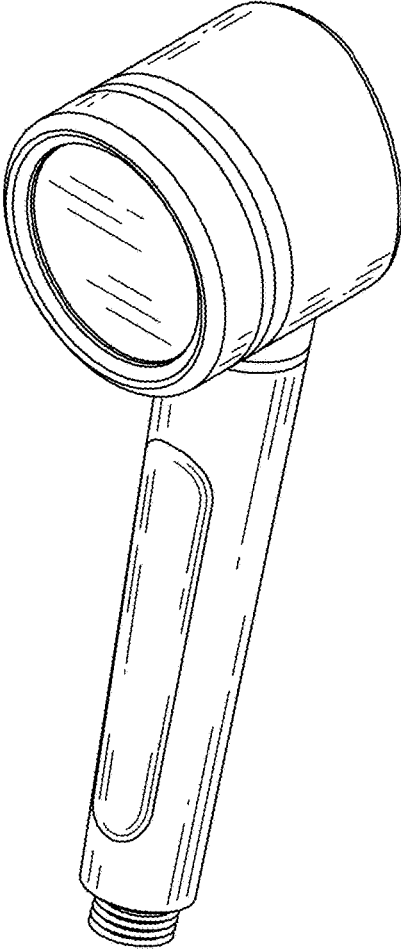


FIG. 2

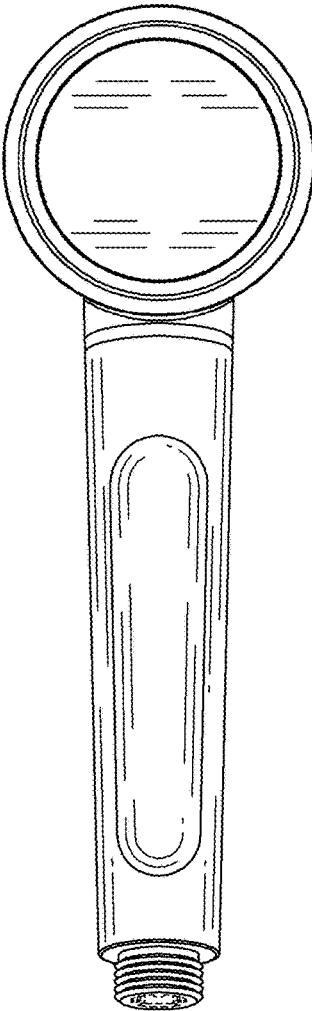


FIG. 3

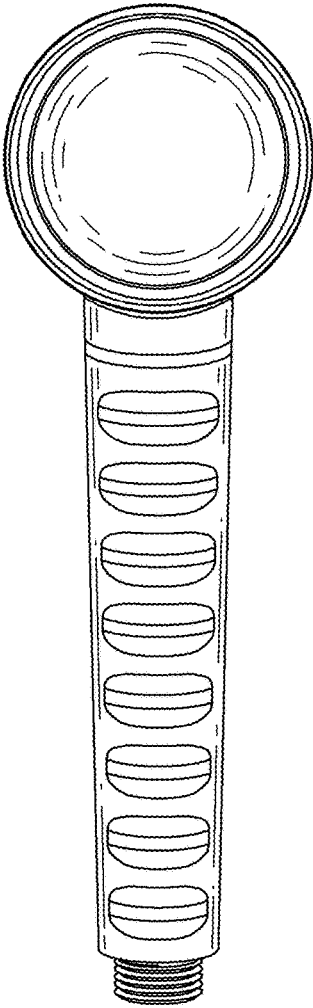


FIG. 4

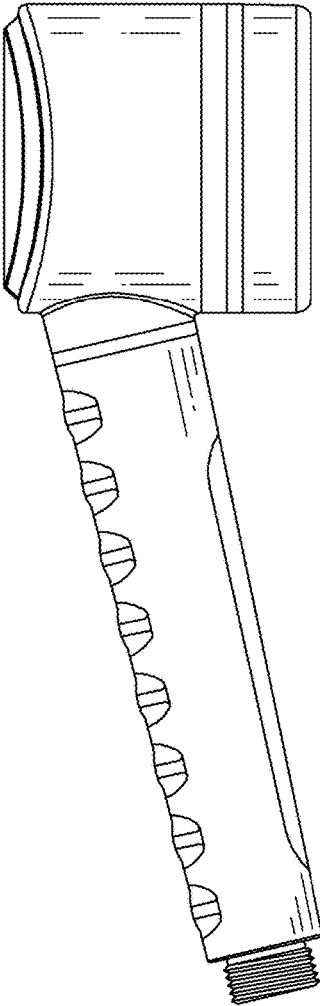


FIG. 5

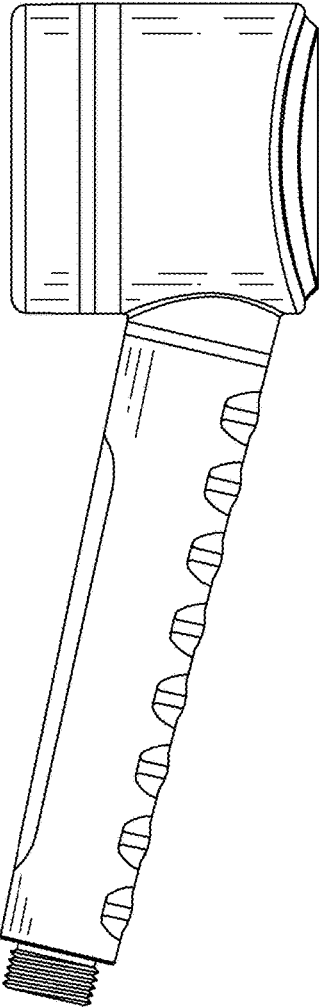


FIG. 6

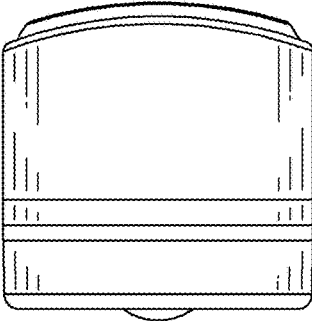


FIG. 7

