



US00D608494S

(12) **United States Design Patent**
Yang

(10) **Patent No.:** **US D608,494 S**

(45) **Date of Patent:** **** Jan. 19, 2010**

(54) **LAMP SHADE**

(76) Inventor: **Roger Yang**, 83, Zuojhen Vil, Zuojhen Township, Zuojhen, Tainan County (TW)

(**) Term: **14 Years**

(21) Appl. No.: **29/340,194**

(22) Filed: **Jul. 15, 2009**

(51) **LOC (9) Cl.** **26-99**

(52) **U.S. Cl.** **D26/129**

(58) **Field of Classification Search** D26/85,
D26/118, 128, 142, 72, 73, 113, 120, 122,
D26/129, 130, 131, 138, 26, 61, 62, 74, 77,
D26/88, 90, 103, 104, 121, 123, 124, 132,
D26/134, 137; 362/147, 151, 644, 323, 347,
362/351, 358, 362, 364, 404

See application file for complete search history.

(56) **References Cited**

U.S. PATENT DOCUMENTS

D350,214 S *	8/1994	Kramer	D26/128
D385,643 S *	10/1997	Brohard et al.	D26/71
D391,006 S *	2/1998	Yang	D26/118
D411,638 S *	6/1999	Schaak et al.	D26/62
D474,855 S *	5/2003	Huang	D26/118
D476,440 S *	6/2003	Lee et al.	D26/65

D488,253 S *	4/2004	Chen	D26/128
D492,811 S *	7/2004	Huang	D26/118
D580,085 S *	11/2008	Svensson	D26/71

* cited by examiner

Primary Examiner—Cathron C Brooks

Assistant Examiner—Kevin K Rudzinski

(74) *Attorney, Agent, or Firm*—Alan Kamrath; Kamrath & Associates PA

(57) **CLAIM**

The ornamental design for a lamp shade, as shown and described.

DESCRIPTION

FIG. 1 is a perspective view of a lamp shade showing my design;

FIG. 2 is a front elevational view thereof;

FIG. 3 is a rear elevational view thereof;

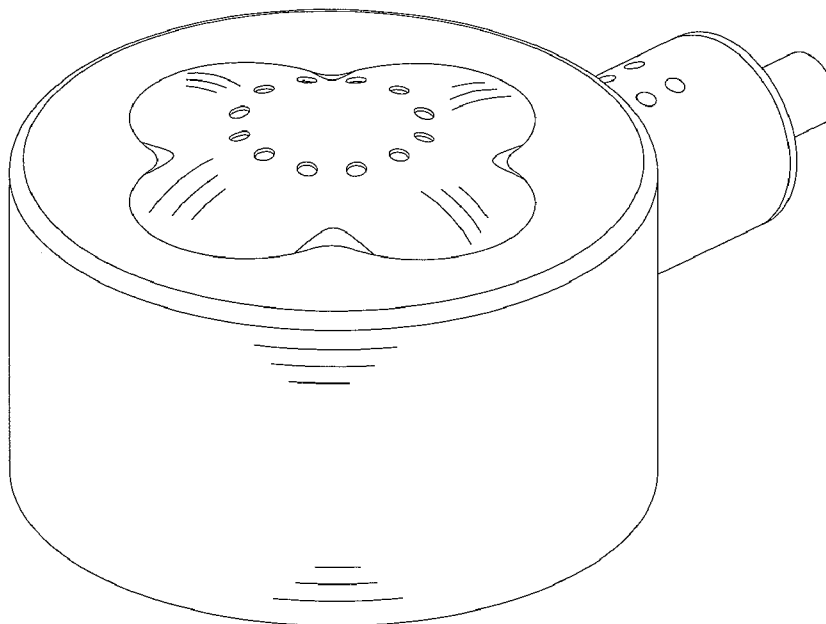
FIG. 4 is a left side elevational view thereof;

FIG. 5 is a right side elevational view thereof;

FIG. 6 is a top plan view thereof; and,

FIG. 7 is a bottom plan view thereof.

1 Claim, 7 Drawing Sheets



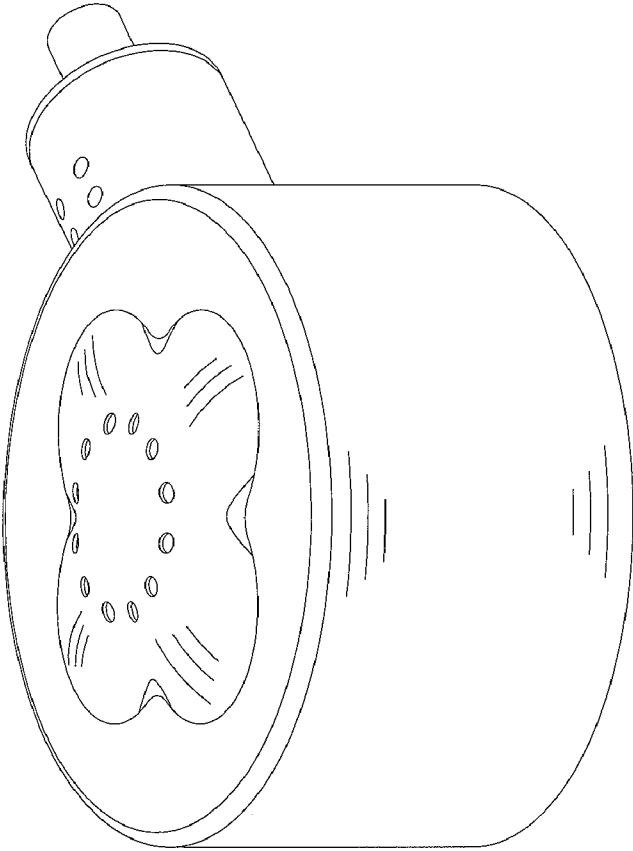


FIG. 1

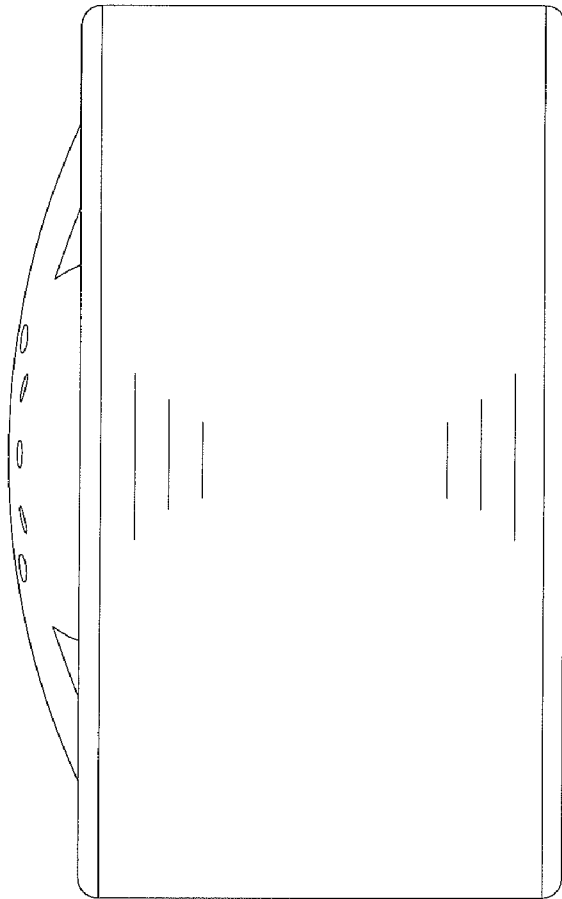


FIG. 2

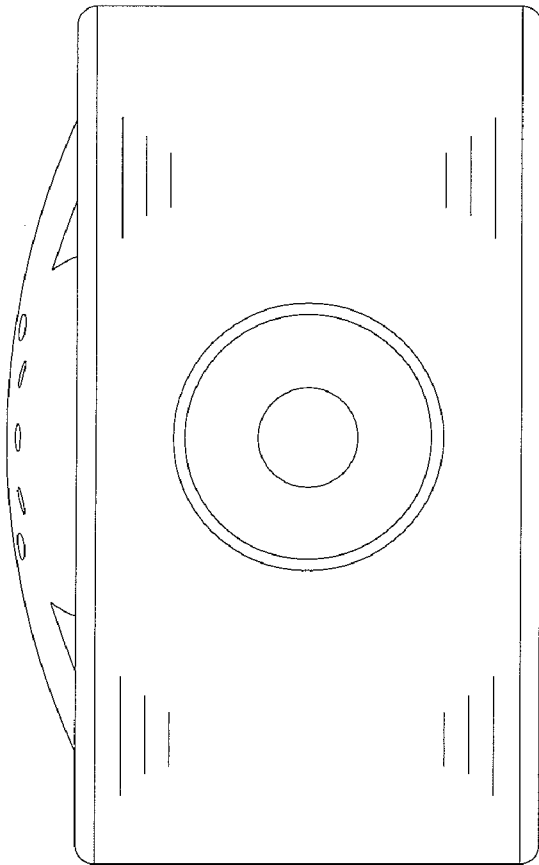


FIG. 3

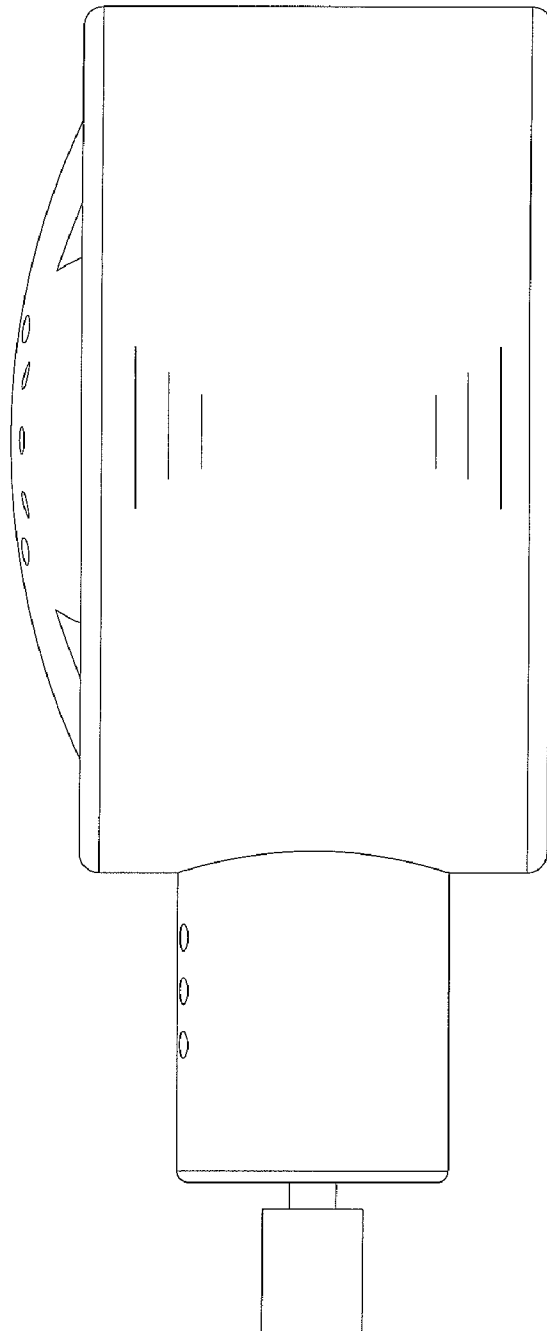


FIG. 4

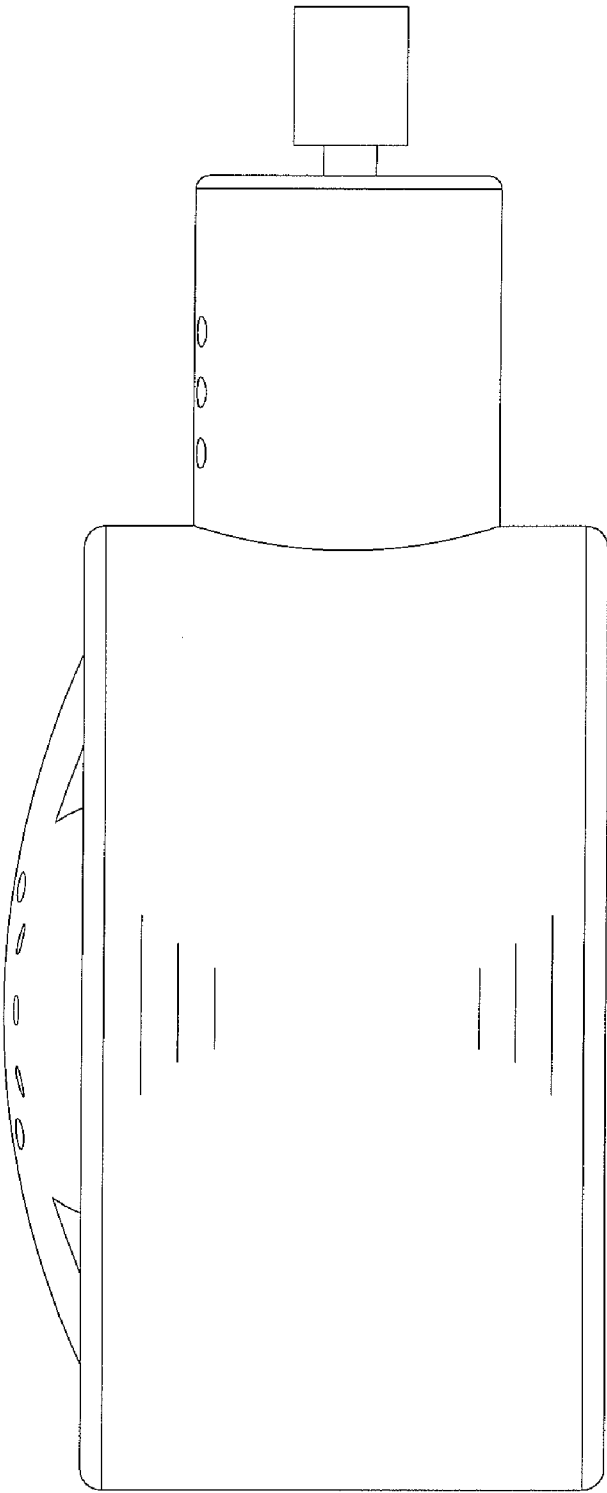


FIG. 5

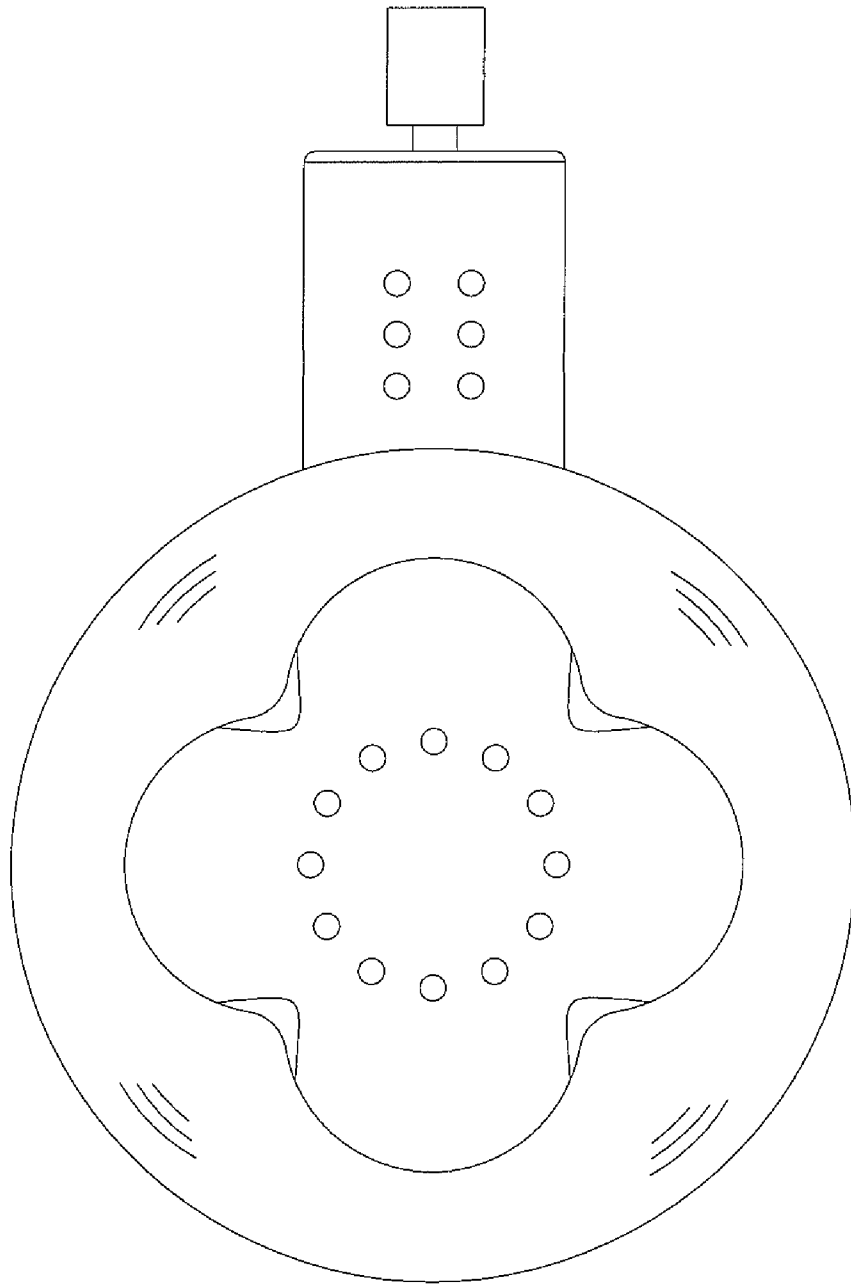


FIG. 6

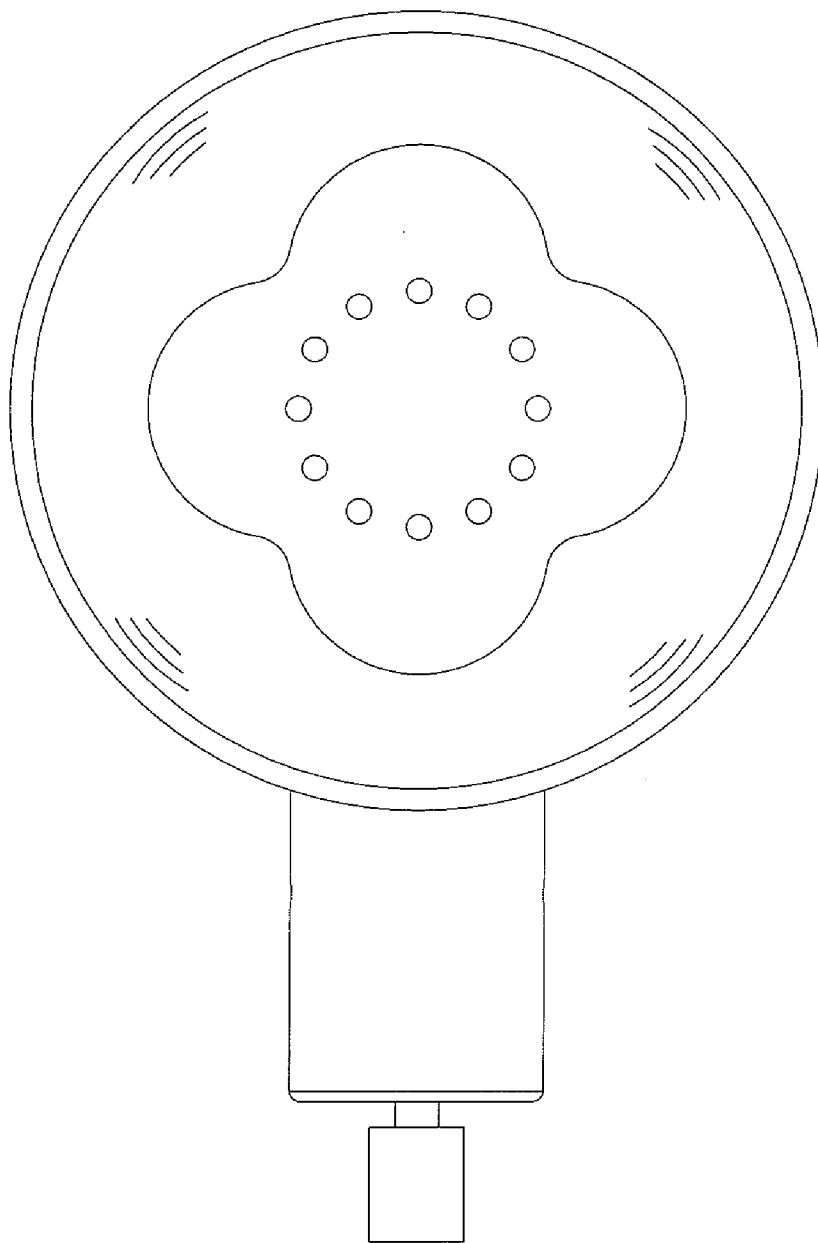


FIG. 7