



US00D528957S

(12) **United States Design Patent**
Kim

(10) **Patent No.:** **US D528,957 S**

(45) **Date of Patent:** **** Sep. 26, 2006**

(54) **FRONT FACE OF A VEHICLE WHEEL**

(75) Inventor: **Gi Beom Kim**, Seoul (KR)

(73) Assignee: **Lion's Wheel Industrial Corp.**, Irvine, CA (US)

(**) Term: **14 Years**

(21) Appl. No.: **29/225,989**

(22) Filed: **Mar. 22, 2005**

(51) **LOC (8) Cl.** **12-16**

(52) **U.S. Cl.** **D12/209**

(58) **Field of Classification Search** D12/204-213;
301/37.101, 64.101, 65

See application file for complete search history.

(56) **References Cited**

U.S. PATENT DOCUMENTS

D371,761 S * 7/1996 Abbott D12/209
D432,071 S * 10/2000 Brown D12/211

D432,481 S * 10/2000 Brown D12/209
D447,107 S * 8/2001 Kuribayashi D12/211
D471,504 S * 3/2003 Laengerer D12/211
D489,033 S * 4/2004 Lee D12/211

* cited by examiner

Primary Examiner—Stacia Cadmus

(74) *Attorney, Agent, or Firm*—Blakely, Sokoloff, Taylor & Zafman LLP

(57) **CLAIM**

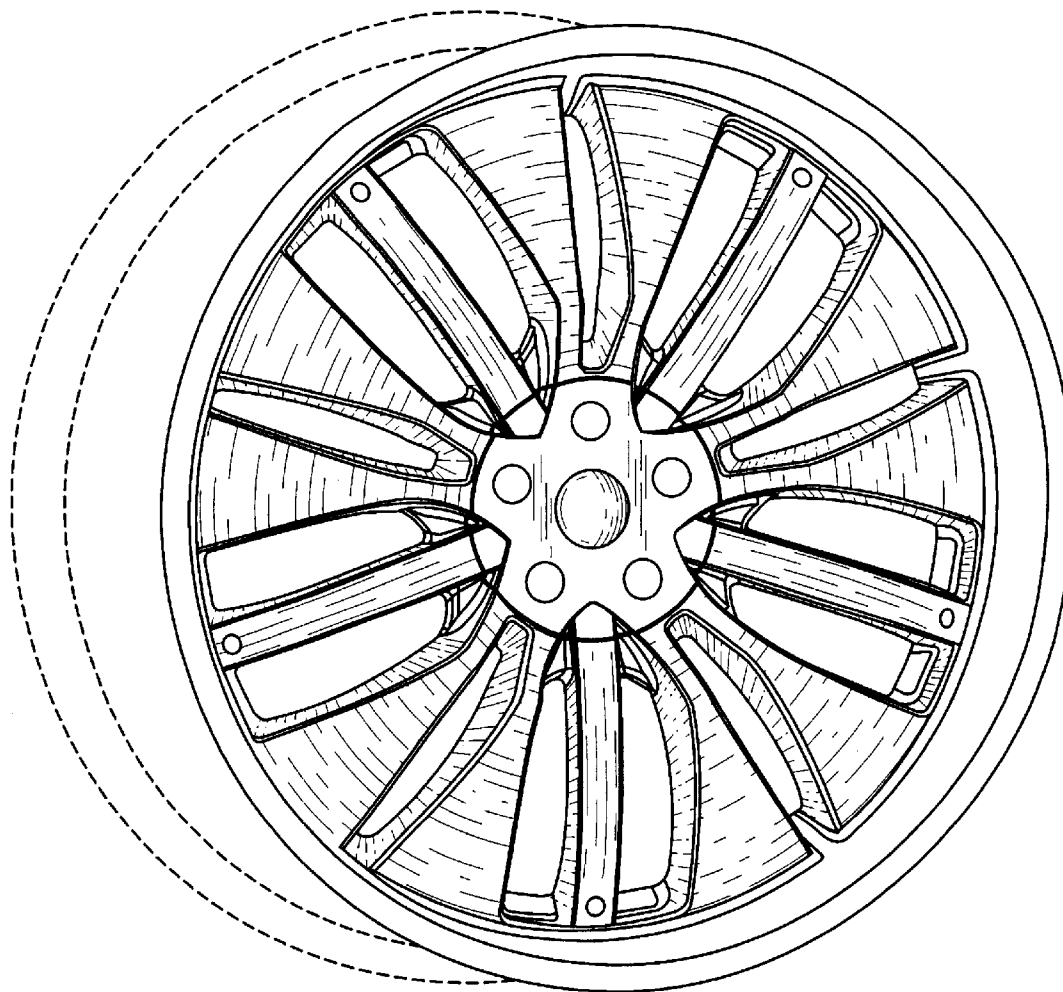
The ornamental design for a front face of a vehicle wheel, as shown and described.

DESCRIPTION

FIG. 1 is a perspective view of a front face of a vehicle wheel showing my new design; and, FIG. 2 is a front view thereof.

The broken line showing of environment is for illustrative purposes only and forms no part of the claimed design.

1 Claim, 2 Drawing Sheets



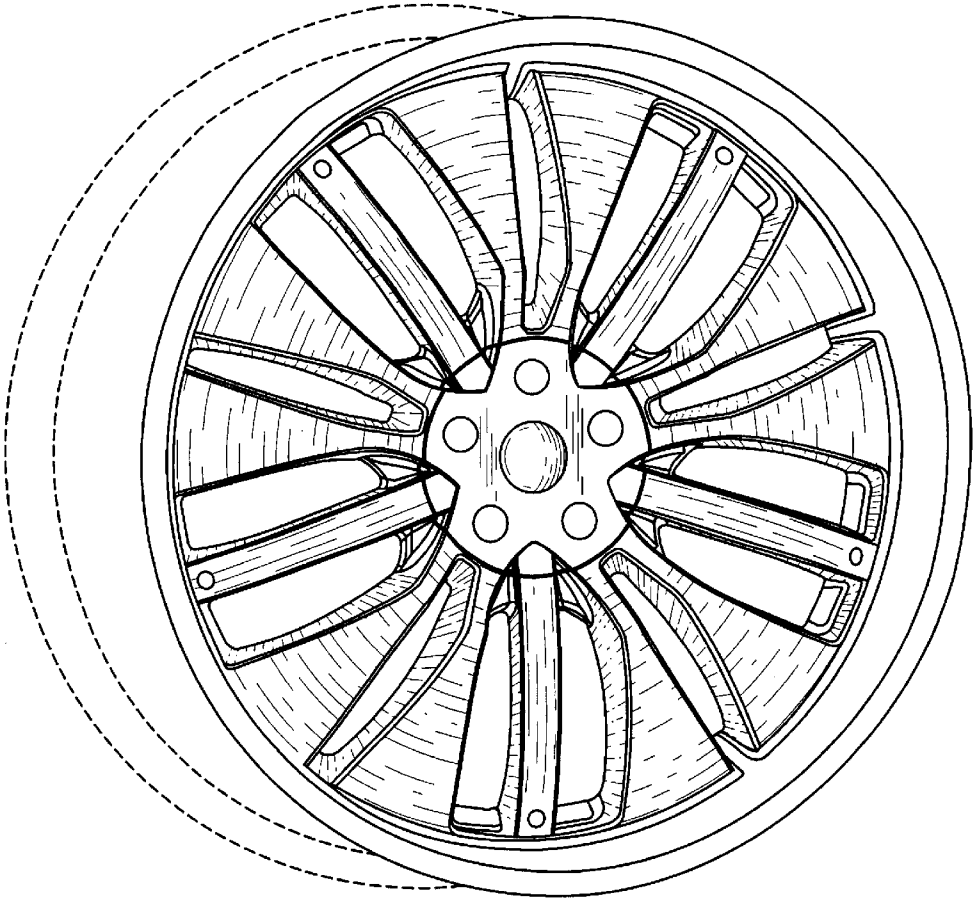


FIG. 1

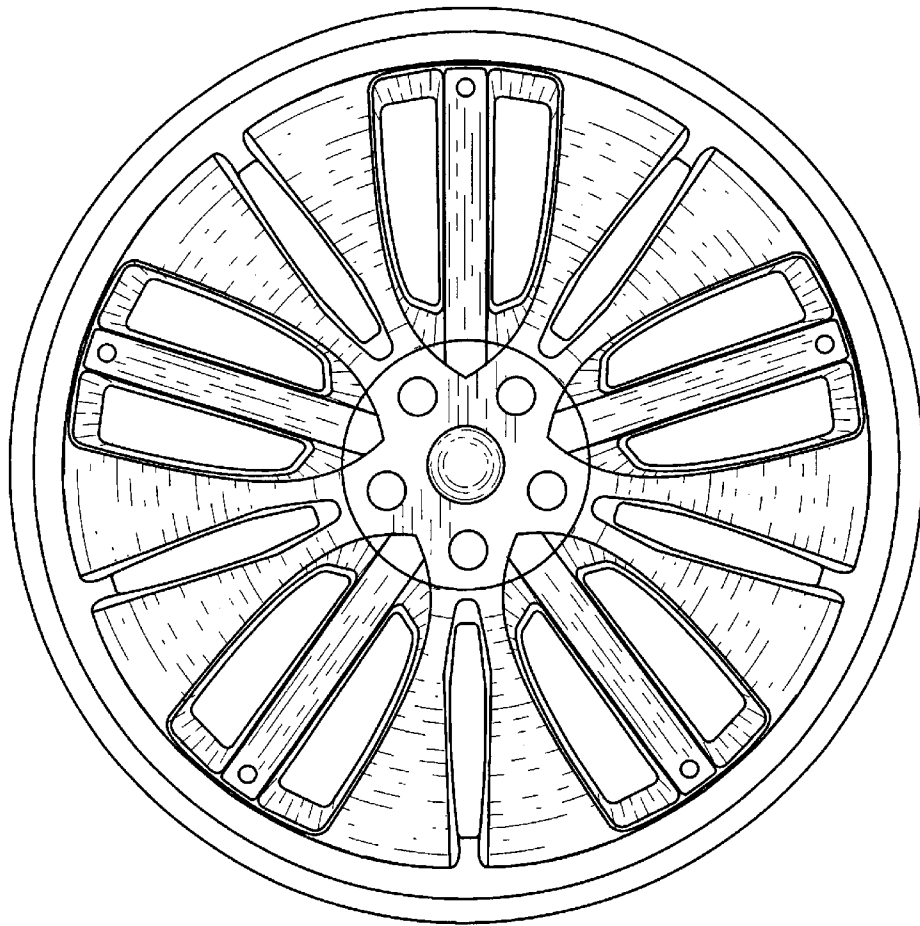


FIG. 2