



US00D366416S

United States Patent [19] Semersky

[11] Patent Number: **Des. 366,416**
[45] Date of Patent: ****Jan. 23, 1996**

[54] CONTAINER SIDEWALL AND BASE

5,238,129 8/1993 Ota 220/608

[75] Inventor: **Frank E. Semersky**, Toledo, Ohio

FOREIGN PATENT DOCUMENTS

[73] Assignee: **Graham Packaging Corporation**,
York, Pa.

2352738 9/1974 Germany 215/1 C

[**] Term: **14 Years**

Primary Examiner—Alan P. Douglas
Assistant Examiner—Robert M. Spear
Attorney, Agent, or Firm—Howson and Howson

[21] Appl. No.: **35,527**

[57] CLAIM

[22] Filed: **Mar. 1, 1995**

The ornamental design for the container sidewall and base, is as shown and described.

[52] U.S. Cl. **D9/434**

[58] Field of Search D9/434, 499, 500,
D9/538, 545, 549, 553, 556, 567, 559,
560, 566; 215/1 C, 1 R, DIG. 1; 220/604,
608, 613, 633, 635

DESCRIPTION

FIG. 1 is a front elevational view of a container embodying my new design, the opposite side being the same in appearance;

[56] References Cited

U.S. PATENT DOCUMENTS

D. 294,463	3/1988	Lang	D9/557
D. 295,612	5/1988	Ota	D9/557
D. 313,750	1/1991	York et al. .	
D. 315,869	4/1991	Collette .	
D. 321,136	10/1991	York	D9/556
D. 321,830	11/1991	York et al. .	
D. 322,562	12/1991	Narsutis	D9/538
D. 330,330	10/1992	Behm et al.	D9/434
D. 337,520	7/1993	Krishnakumar et al.	D9/499
D. 345,693	4/1994	Edstrom	D9/559
D. 352,238	11/1994	Vaillencourt et al.	D9/34
4,805,788	2/1989	Akiho .	
5,005,716	4/1991	Eberle .	
5,092,475	3/1992	Krishnakumar et al. .	

FIG. 2 is an elevational view of the container of FIG. 1 rotated 30° about its central vertical axis;

FIG. 3 is a top plan view of the container of FIG. 1 illustrating the base of the container as it appears looking downward through the mouth of the container;

FIG. 4 is a bottom plan view of a container embodying my new design;

FIG. 5 is a top plan view of the container of FIG. 1 illustrating an alternate base of the container as it appears looking downward through the mouth of the container; and, FIG. 6 is a bottom plan view of a container having the alternate base of FIG. 5.

The broken line showing of a bottle dome is for illustrative purposes only and forms no part of the claimed design.

1 Claim, 4 Drawing Sheets

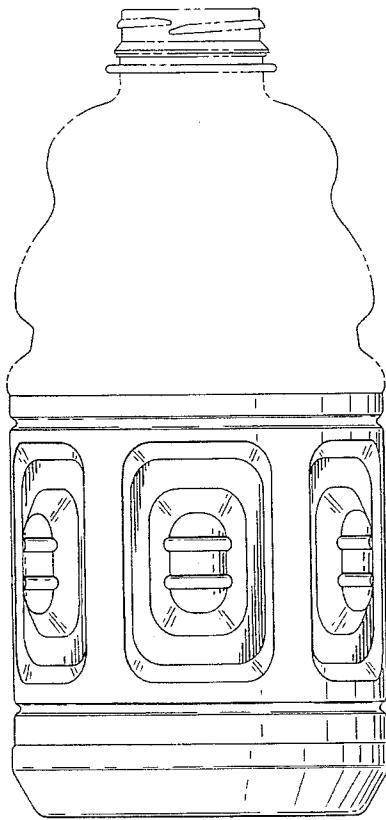


FIG. 1

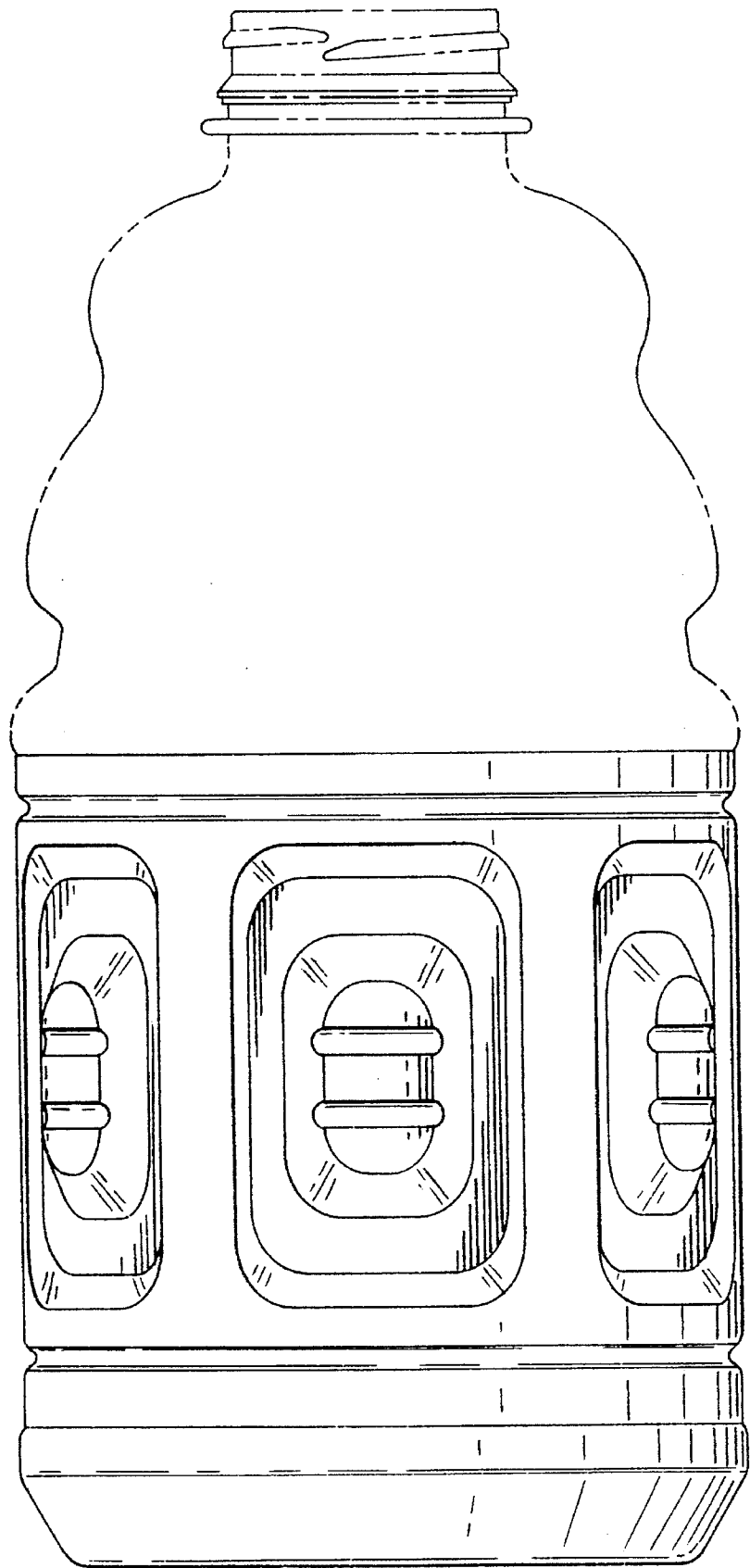


FIG. 2

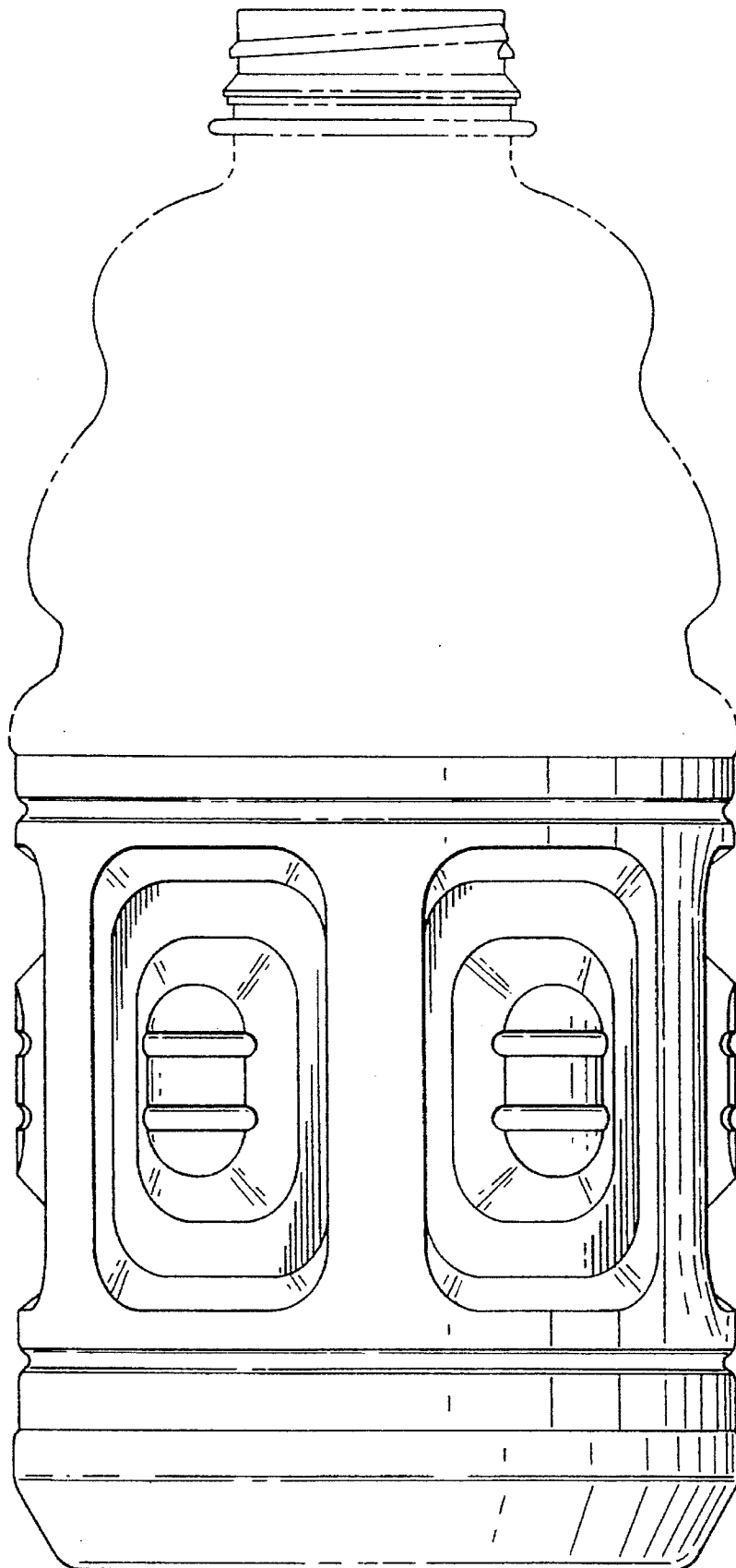


FIG. 3

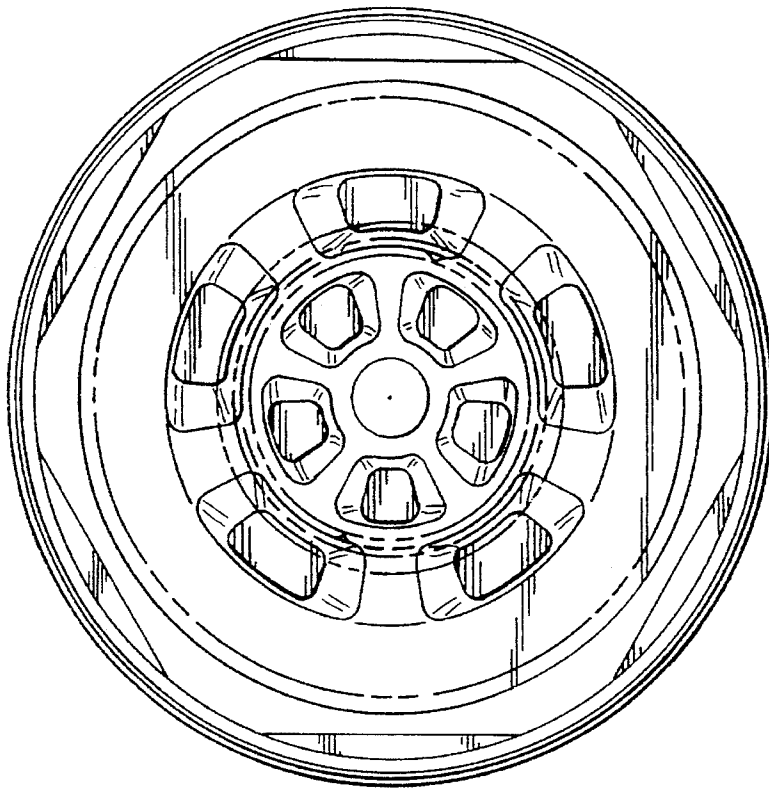


FIG. 4

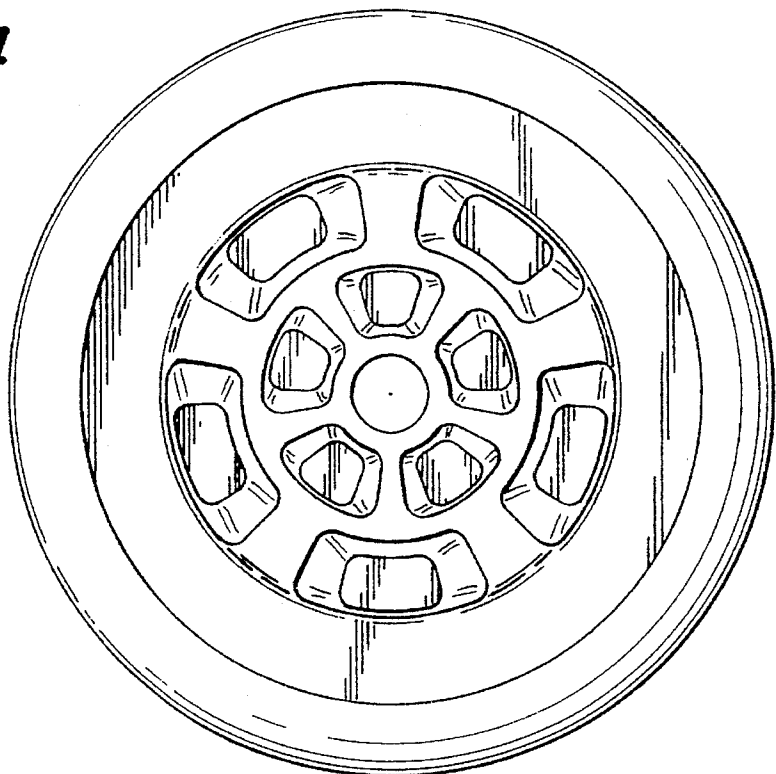


FIG. 5

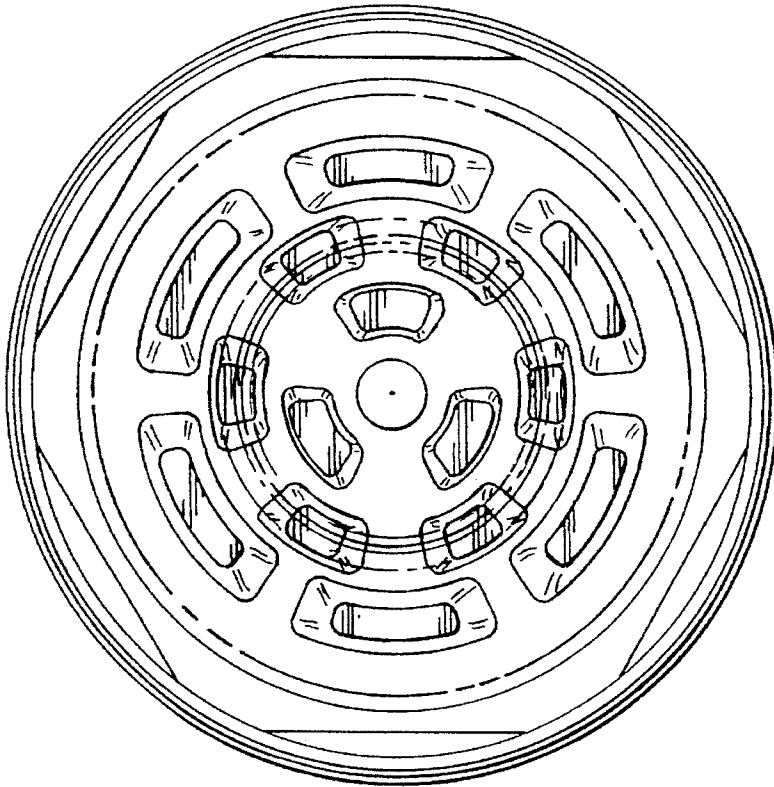


FIG. 6

