



US0D1056870S

(12) **United States Design Patent**  
**Li**

(10) **Patent No.:** **US D1,056,870 S**

(45) **Date of Patent:** **\*\* Jan. 7, 2025**

(54) **PHONOGRAPH**

(71) Applicant: **Zhehui Li**, Chaozhou (CN)

(72) Inventor: **Zhehui Li**, Chaozhou (CN)

(\*\*) Term: **15 Years**

(21) Appl. No.: **29/861,012**

(22) Filed: **Nov. 24, 2022**

(51) **LOC (15) Cl.** ..... **14-01**

(52) **U.S. Cl.**  
USPC ..... **D14/202**

(58) **Field of Classification Search**  
USPC ..... D14/162, 168, 169, 175, 199, 200, 201,  
D14/202, 203, 261, 262, 263, 264, 474,  
D14/478, 498, 499, 500, 501, 502, 503,  
D14/504, 505, 506, 507, 509, 510, 129,  
D14/131, 208, 173; D6/406.3, 406.5  
CPC ..... G11B 23/00; G11B 19/16; G11B 19/2009;  
G11B 17/16; G11B 33/02; B60R 1/02;  
B60K 37/04; B60K 37/06; H04B 1/08;  
H04B 1/082  
See application file for complete search history.

(56) **References Cited**

**U.S. PATENT DOCUMENTS**

D226,452	S	*	3/1973	Yazawa	.....	D14/202
D238,394	S	*	1/1976	Akazawa	.....	D14/202
D239,323	S	*	3/1976	Akazawa	.....	D14/169
4,365,326	A	*	12/1982	Ohsawa	.....	G11B 19/06 369/268
D837,761	S	*	1/2019	Liu	.....	D14/203
D894,150	S	*	8/2020	Lieblein	.....	D14/202
D902,173	S	*	11/2020	Lieblein	.....	D14/202
D908,659	S	*	1/2021	Yang	.....	D14/202
D940,682	S	*	1/2022	Wu	.....	D14/202
D941,797	S	*	1/2022	Wu	.....	D14/202

D998,582	S	*	9/2023	Wang	.....	D14/202
D1,008,208	S	*	12/2023	Qiu	.....	D14/202
D1,017,569	S	*	3/2024	Xu	.....	D14/202

**OTHER PUBLICATIONS**

HYM Lumi Turntable. HYM, hym-originals-en.com (online) 10 pages. Posted Unknown. [Retrieved Mar. 19, 2024] <https://hym-originals-en.com/products/hym-lumi-turntable-black-walnut> (Year: NA).\*

Seasonlife Record Player. Seasonlife, amazon.com (online) 5 pages. Posted Feb. 24, 2023. [Retrieved Mar. 19, 2024] <https://a.co/d/8LqZw5F> (Year: 2023).\*

(Continued)

*Primary Examiner* — Rebekah A Caruso  
*Assistant Examiner* — Cole Sanders Holman

(57) **CLAIM**

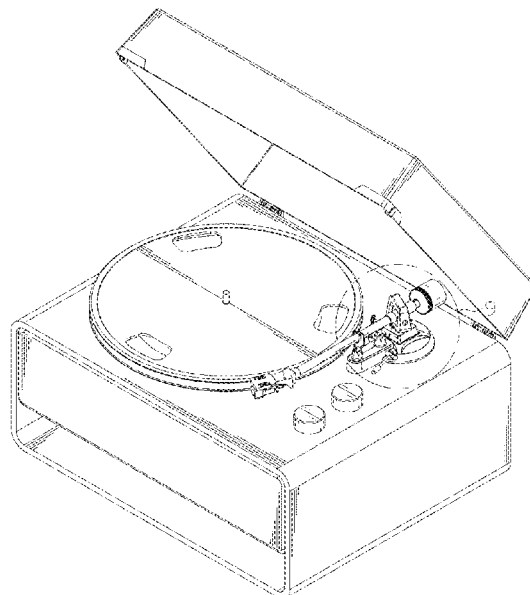
The ornamental design for a phonograph as shown and described.

**DESCRIPTION**

FIG. 1 is a front, right, and top perspective view of a phonograph, showing my new design;  
FIG. 2 is a front, right, and bottom perspective view thereof;  
FIG. 3 is a front elevational view thereof;  
FIG. 4 is a rear elevational view thereof;  
FIG. 5 is a left elevational view thereof;  
FIG. 6 is a right elevational view thereof;  
FIG. 7 is a top plan view thereof;  
FIG. 8 is a bottom plan view thereof; and,  
FIG. 9 is an enlarged view of the delineated region 9 in FIG. 1.

The broken lines depict portions of the phonograph that form no part of the claimed design. The dot-dash broken lines in FIGS. 1 and 9 form no part of the claimed design and delineate portions of the claimed design that are shown on an enlarged scale in FIG. 9.

**1 Claim, 9 Drawing Sheets**



(56)

**References Cited**

OTHER PUBLICATIONS

Udramer Record Player. Udramer, amazon.com (online) 6 pages.  
Posted Nov. 10, 2022. [Retrieved Mar. 19, 2024] <https://a.co/d/jfjSFXk> (Year: 2022).\*

Rushi et al., CN Design No. 307556129, published at Orbit,  
publication date Sep. 20, 2022. Site visited Mar. 19, 2024. Available  
from internet (Year: 2024).\*

\* cited by examiner

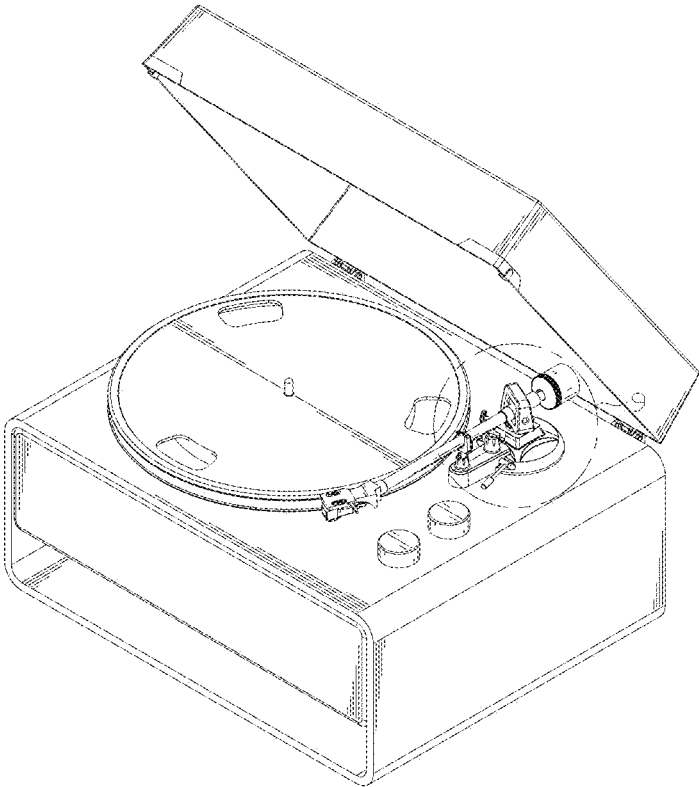


FIG.1

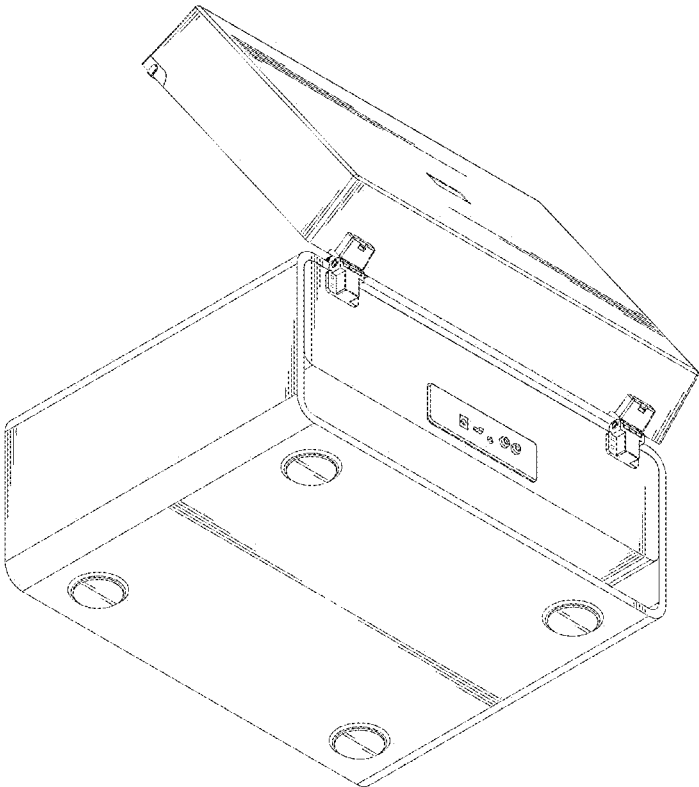


FIG.2

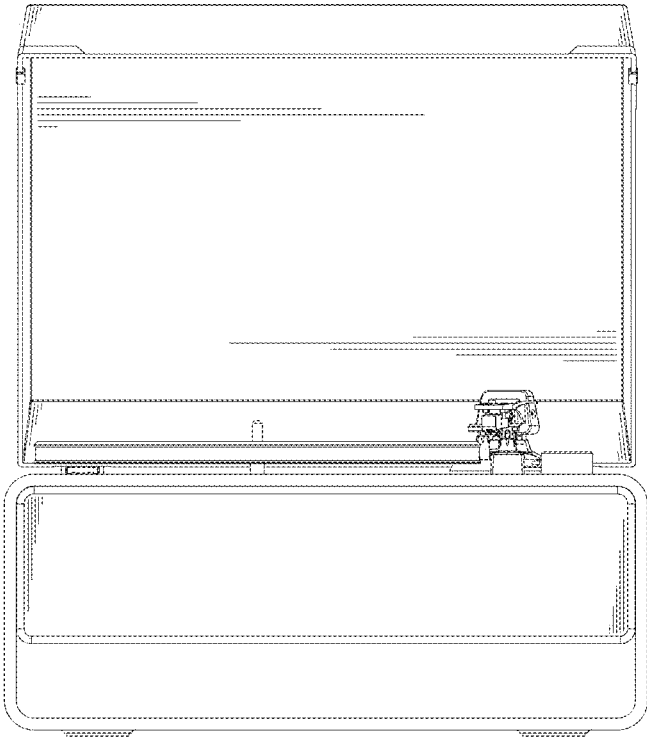


FIG.3

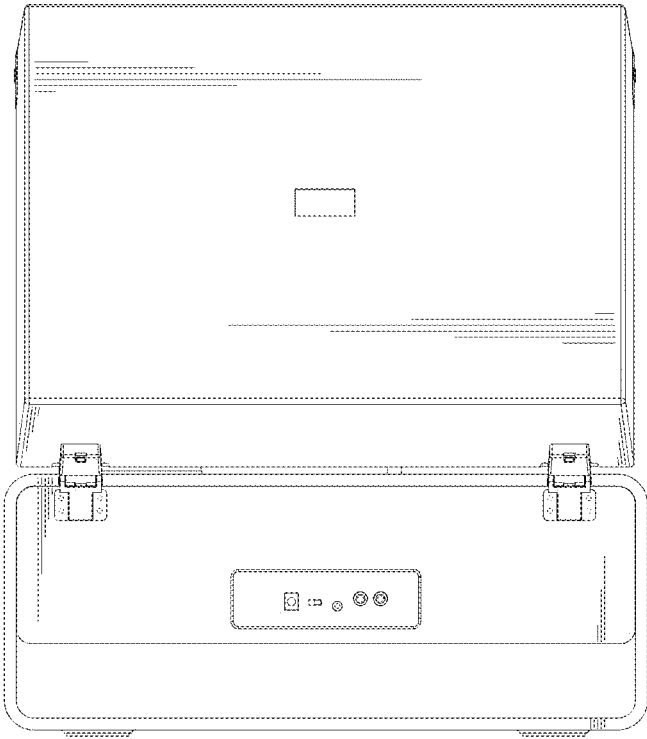


FIG. 4

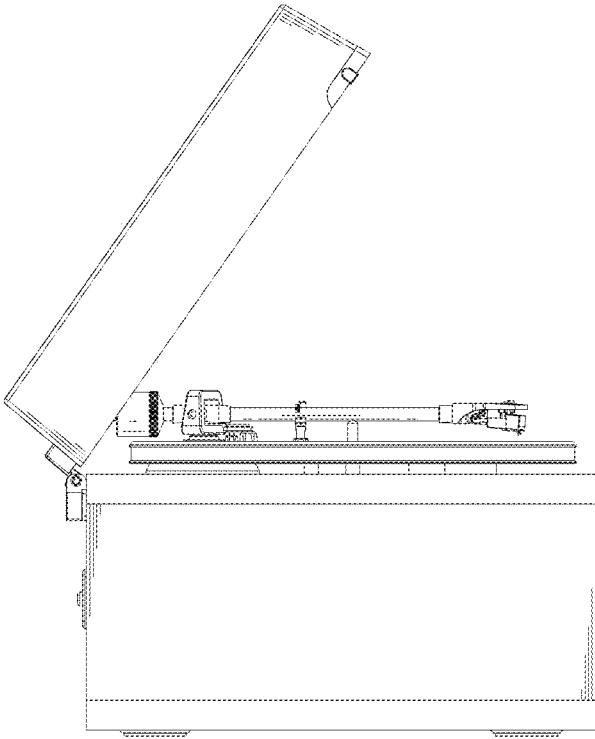


FIG.5

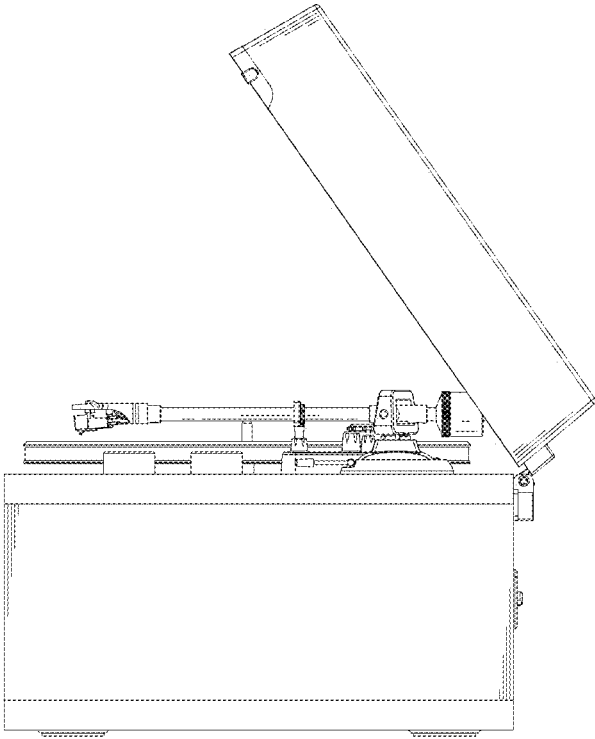


FIG.6

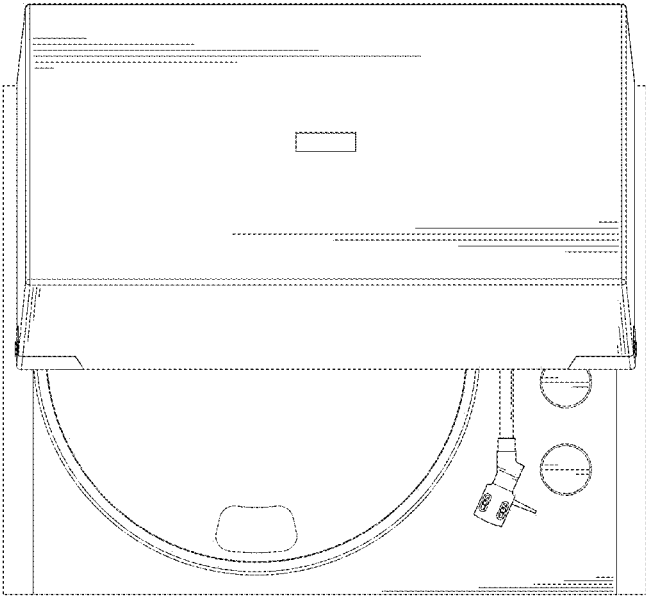


FIG.7

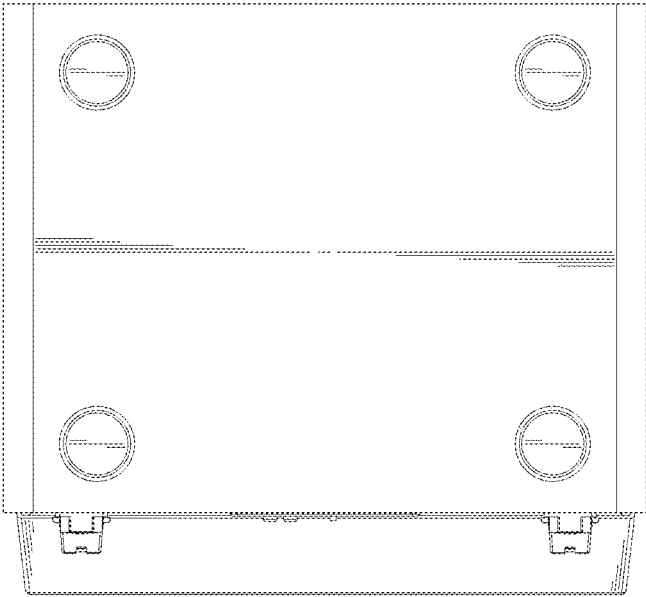


FIG.8

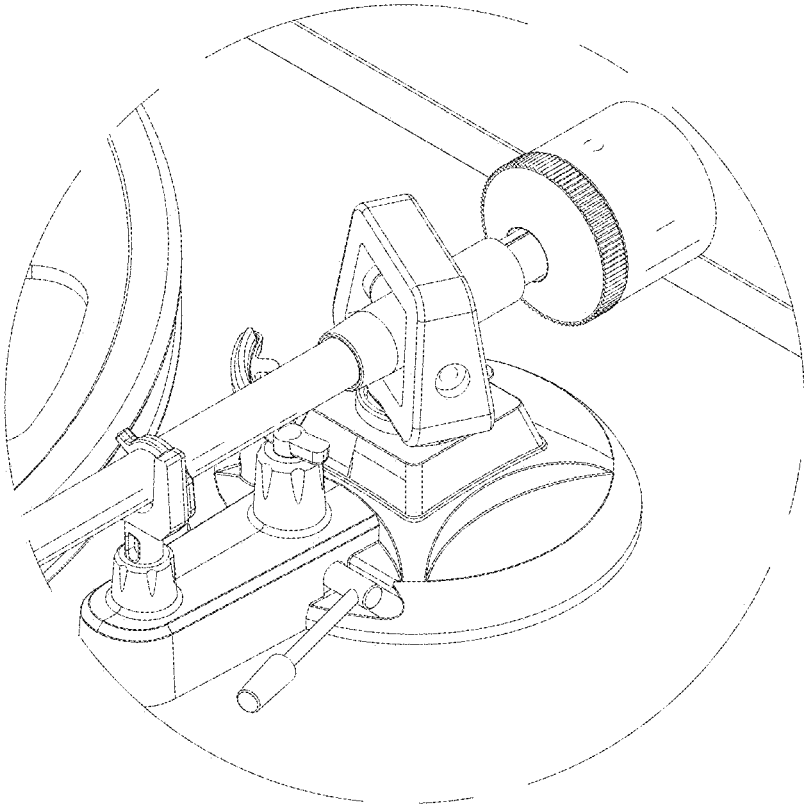


FIG. 9