

United States Patent [19]
Ripley

[11] **Patent Number:** **Des. 305,366**
[45] **Date of Patent:** **** Jan. 2, 1990**

- [54] **DOOR FRAME**
[75] **Inventor:** Pat L. Ripley, Cedar Hill, Tex.
[73] **Assignee:** Passport Technologies, Inc., Prosper, Tex.
[**] **Term:** 14 Years
[21] **Appl. No.:** 42,939
[22] **Filed:** Apr. 27, 1987
[52] **U.S. Cl.** D25/119
[58] **Field of Search** D25/47, 60, 119, 53, D25/48; 49/501, 504, DIG. 1, DIG. 2; 52/204, 730, 732, 738

4,238,909 12/1980 Mutton 49/504
4,251,962 2/1981 Langenhorst 49/504

Primary Examiner—A. Hugo Word
Assistant Examiner—Doris Clark
Attorney, Agent, or Firm—Dennis T. Griggs

[57] **CLAIM**

The ornamental design for a door frame, as shown and described.

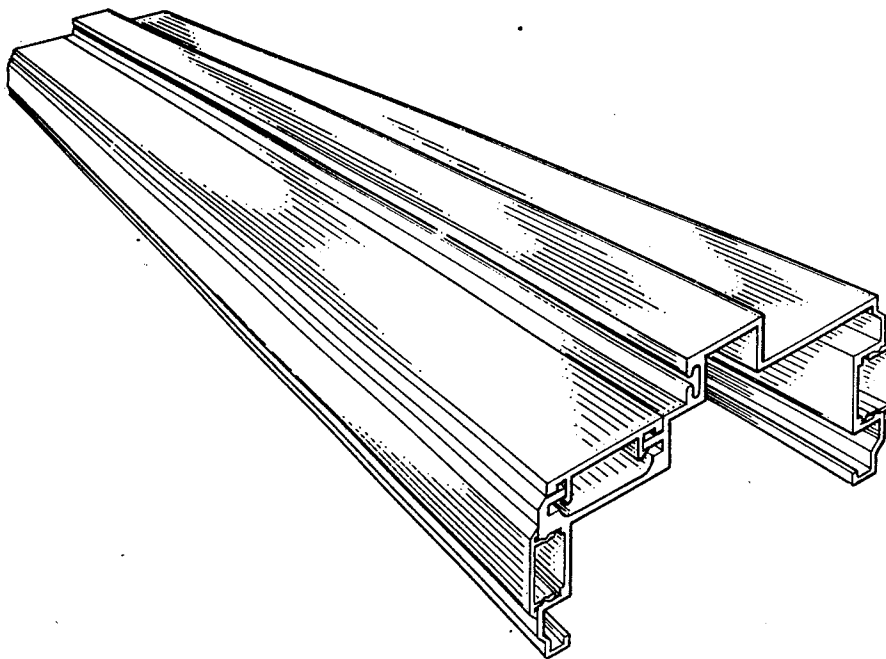
DESCRIPTION

FIG. 1 is a perspective view of a door frame showing my new design;
FIG. 2 is a right side elevational view thereof;
FIG. 3 is a left side elevational view thereof;
FIG. 4 is a top plan view thereof;
FIG. 5 is a bottom plan view thereof;
FIG. 6 is a front elevational view thereof; and,
FIG. 7 is a rear elevational view thereof.
The door frame in FIGS. 2 through 5 is broken away for convenience of illustration.

[56] **References Cited**

U.S. PATENT DOCUMENTS

3,783,559	1/1974	Yocum et al.	49/504
3,889,423	6/1975	Begin	49/504
4,005,558	2/1977	Barrison	D25/60
4,067,157	1/1978	Robinson	49/504



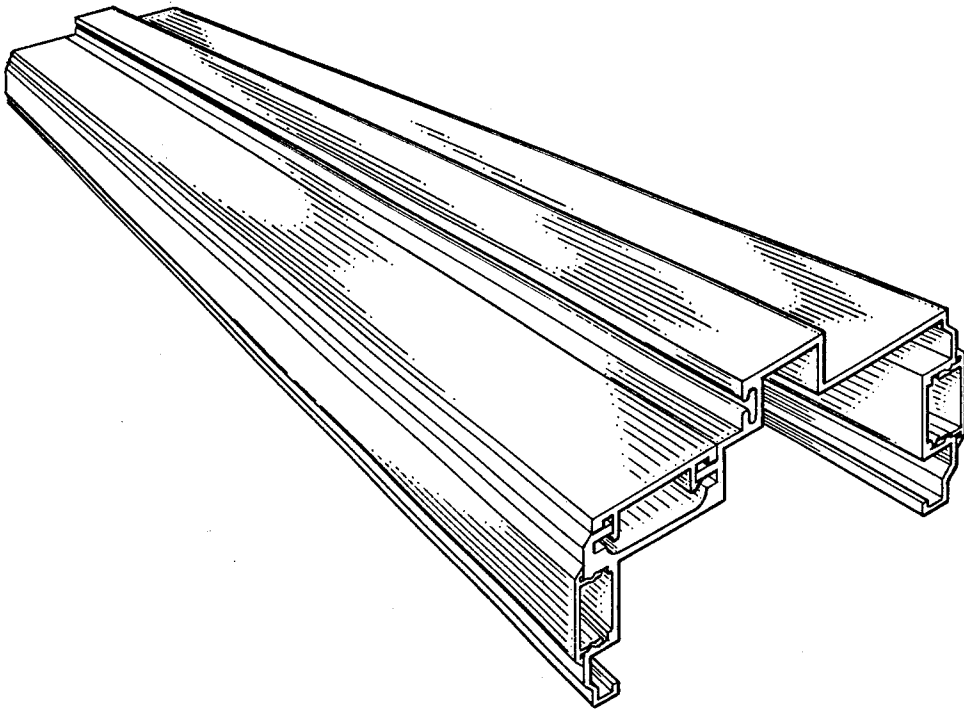


FIG. 1

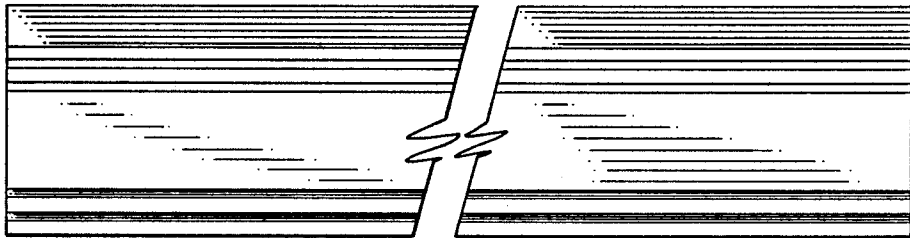


FIG. 2

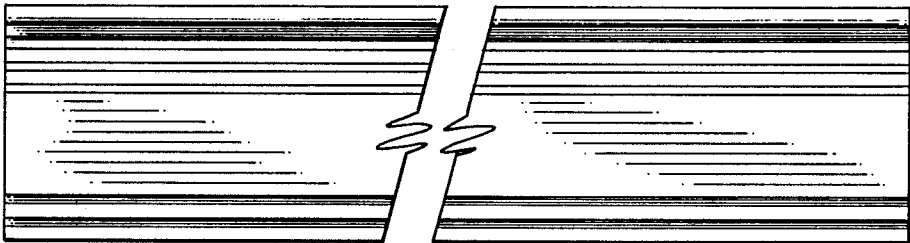


FIG. 3

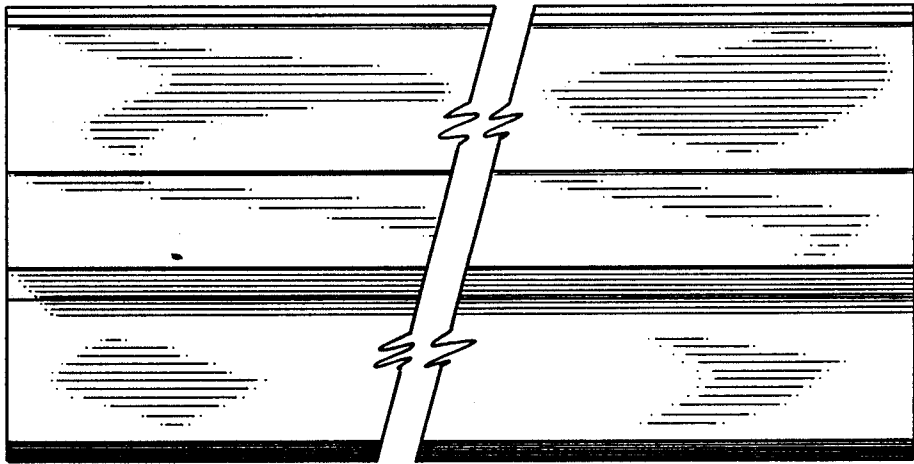


FIG. 4

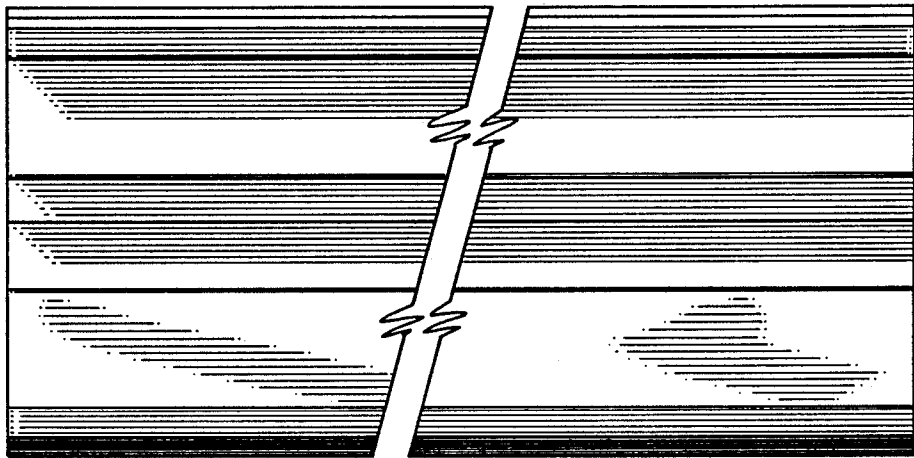


FIG. 5

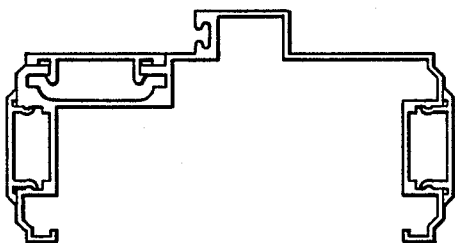


FIG. 6

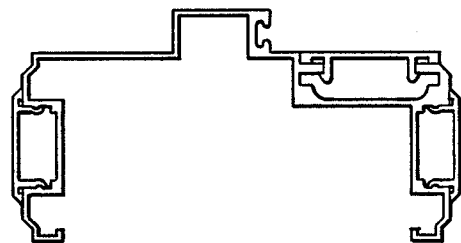


FIG. 7