



- (51) International Patent Classification:
H04N 21/20 (2011.01)
- (21) International Application Number:
PCT/US2014/047699
- (22) International Filing Date:
22 July 2014 (22.07.2014)
- (25) Filing Language: English
- (26) Publication Language: English
- (30) Priority Data:
13/953,482 29 July 2013 (29.07.2013) US
- (71) Applicant: **MOBITV, INC.** [US/US]; 6425 Christie Avenue, 5th Floor, Emeryville, California 94608 (US).
- (72) Inventors: **EINARSSON, Torbjörn**; 6425 Christie Avenue, 5th Floor, Emeryville, California 94608 (US). **BARNES, Fritz**; 6425 Christie Ave, 5th Floor, Emeryville, California 94608 (US).
- (74) Agent: **KUHN, Jeffrey**; Kwan & Olynick LLP, 2000 Hearst Avenue, Ste 305, Berkeley, California 94709 (US).

- (81) Designated States (unless otherwise indicated, for every kind of national protection available): AE, AG, AL, AM, AO, AT, AU, AZ, BA, BB, BG, BH, BN, BR, BW, BY, BZ, CA, CH, CL, CN, CO, CR, CU, CZ, DE, DK, DM, DO, DZ, EC, EE, EG, ES, FI, GB, GD, GE, GH, GM, GT, HN, HR, HU, ID, IL, IN, IR, IS, JP, KE, KG, KN, KP, KR, KZ, LA, LC, LK, LR, LS, LT, LU, LY, MA, MD, ME, MG, MK, MN, MW, MX, MY, MZ, NA, NG, NI, NO, NZ, OM, PA, PE, PG, PH, PL, PT, QA, RO, RS, RU, RW, SA, SC, SD, SE, SG, SK, SL, SM, ST, SV, SY, TH, TJ, TM, TN, TR, TT, TZ, UA, UG, US, UZ, VC, VN, ZA, ZM, ZW.
- (84) Designated States (unless otherwise indicated, for every kind of regional protection available): ARIPO (BW, GH, GM, KE, LR, LS, MW, MZ, NA, RW, SD, SL, SZ, TZ, UG, ZM, ZW), Eurasian (AM, AZ, BY, KG, KZ, RU, TJ, TM), European (AL, AT, BE, BG, CH, CY, CZ, DE, DK, EE, ES, FI, FR, GB, GR, HR, HU, IE, IS, IT, LT, LU, LV, MC, MK, MT, NL, NO, PL, PT, RO, RS, SE, SI, SK, SM, TR), OAPI (BF, BJ, CF, CG, CI, CM, GA, GN, GQ, GW, KM, ML, MR, NE, SN, TD, TG).

[Continued on next page]

(54) Title: EFFICIENT COMMON STORAGE OF PARTIALLY ENCRYPTED CONTENT

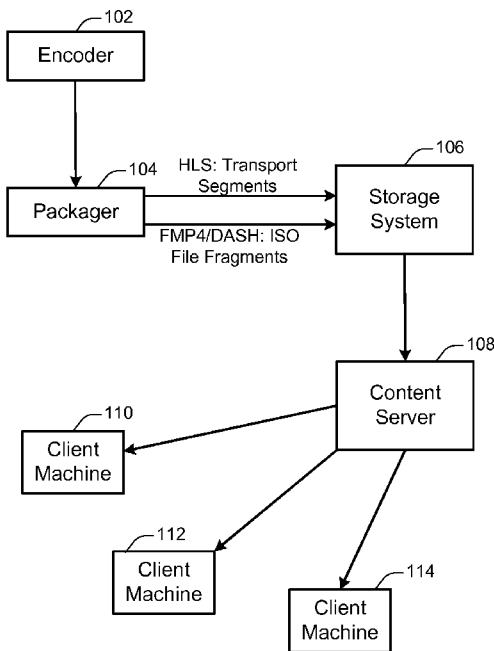


Figure 1

(57) Abstract: Techniques and mechanisms described herein facilitate the efficient common storage of partially encrypted content. According to various embodiments, a client device to transmit a designated representation of a media content item via a communications interface may be received. The media content item may be associated with a plurality of representations including the designated representation. The media content item may be associated with first media content data and second media content data. The first media content data may be shared among the plurality of representations. The second media content data may be specific to the designated representation. The first media content data may be combined with the second media content data to create a designated partially encrypted media content portion associated with the designated representation via a processor. The designated partially encrypted media content portion may be transmitted to the client device via the communications interface.

WO 2015/017197 A3



Published:

— *with international search report (Art. 21(3))*

(88) Date of publication of the international search report:

26 November 2015

INTERNATIONAL SEARCH REPORT

International application No.
PCT/US2014/047699

<p>A. CLASSIFICATION OF SUBJECT MATTER IPC(8) - H04N 21/20 (2014.01) CPC - H04L 65/602 (2014.09) According to International Patent Classification (IPC) or to both national classification and IPC</p>																				
<p>B. FIELDS SEARCHED</p> <p>Minimum documentation searched (classification system followed by classification symbols) IPC(8) - G06F 15/16; H04L 9/18; H04N 21/20; H04N 21/60 (2014.01) USPC - 700/231; 713/153; 725/14; 725/26; 725/31; 725/109</p> <p>Documentation searched other than minimum documentation to the extent that such documents are included in the fields searched CPC - H04L 63/0428; H04L 65/602; H04L 65/4084; H04N 21/20 (2014.09)</p> <p>Electronic data base consulted during the international search (name of data base and, where practicable, search terms used) Orbit, Google Patents, Google Scholar.</p>																				
<p>C. DOCUMENTS CONSIDERED TO BE RELEVANT</p> <table border="1"> <thead> <tr> <th>Category*</th> <th>Citation of document, with indication, where appropriate, of the relevant passages</th> <th>Relevant to claim No.</th> </tr> </thead> <tbody> <tr> <td>X</td> <td>US 2012/0265892 A1 (MA, et al.) 18 October 2012 (18.10.2012) entire document</td> <td>1-20</td> </tr> <tr> <td>A</td> <td>US 2013/0132986 A1 (MACK et al.) 23 May 2013 (23.05.2013) entire document</td> <td>1-20</td> </tr> <tr> <td>A</td> <td>US 7320069 B1 (SUNDHARRAJ et al.) 18 January 2008 (18.01.2008) entire document</td> <td>1-20</td> </tr> <tr> <td>A</td> <td>US 2012/0317605 A1 (BROGAN) 13 December 2012 (13.12.2012) entire document</td> <td>1-20</td> </tr> <tr> <td>A</td> <td>US 2013/0195204 A1 (REZNIK et al.) 01 August 2013 (01.08.2013) entire document</td> <td>1-20</td> </tr> </tbody> </table>			Category*	Citation of document, with indication, where appropriate, of the relevant passages	Relevant to claim No.	X	US 2012/0265892 A1 (MA, et al.) 18 October 2012 (18.10.2012) entire document	1-20	A	US 2013/0132986 A1 (MACK et al.) 23 May 2013 (23.05.2013) entire document	1-20	A	US 7320069 B1 (SUNDHARRAJ et al.) 18 January 2008 (18.01.2008) entire document	1-20	A	US 2012/0317605 A1 (BROGAN) 13 December 2012 (13.12.2012) entire document	1-20	A	US 2013/0195204 A1 (REZNIK et al.) 01 August 2013 (01.08.2013) entire document	1-20
Category*	Citation of document, with indication, where appropriate, of the relevant passages	Relevant to claim No.																		
X	US 2012/0265892 A1 (MA, et al.) 18 October 2012 (18.10.2012) entire document	1-20																		
A	US 2013/0132986 A1 (MACK et al.) 23 May 2013 (23.05.2013) entire document	1-20																		
A	US 7320069 B1 (SUNDHARRAJ et al.) 18 January 2008 (18.01.2008) entire document	1-20																		
A	US 2012/0317605 A1 (BROGAN) 13 December 2012 (13.12.2012) entire document	1-20																		
A	US 2013/0195204 A1 (REZNIK et al.) 01 August 2013 (01.08.2013) entire document	1-20																		
<p><input type="checkbox"/> Further documents are listed in the continuation of Box C. <input type="checkbox"/></p>																				
<p>* Special categories of cited documents:</p> <table border="0"> <tr> <td>“A” document defining the general state of the art which is not considered to be of particular relevance</td> <td>“T” later document published after the international filing date or priority date and not in conflict with the application but cited to understand the principle or theory underlying the invention</td> </tr> <tr> <td>“E” earlier application or patent but published on or after the international filing date</td> <td>“X” document of particular relevance; the claimed invention cannot be considered novel or cannot be considered to involve an inventive step when the document is taken alone</td> </tr> <tr> <td>“L” document which may throw doubts on priority claim(s) or which is cited to establish the publication date of another citation or other special reason (as specified)</td> <td>“Y” document of particular relevance; the claimed invention cannot be considered to involve an inventive step when the document is combined with one or more other such documents, such combination being obvious to a person skilled in the art</td> </tr> <tr> <td>“O” document referring to an oral disclosure, use, exhibition or other means</td> <td>“&” document member of the same patent family</td> </tr> <tr> <td>“P” document published prior to the international filing date but later than the priority date claimed</td> <td></td> </tr> </table>			“A” document defining the general state of the art which is not considered to be of particular relevance	“T” later document published after the international filing date or priority date and not in conflict with the application but cited to understand the principle or theory underlying the invention	“E” earlier application or patent but published on or after the international filing date	“X” document of particular relevance; the claimed invention cannot be considered novel or cannot be considered to involve an inventive step when the document is taken alone	“L” document which may throw doubts on priority claim(s) or which is cited to establish the publication date of another citation or other special reason (as specified)	“Y” document of particular relevance; the claimed invention cannot be considered to involve an inventive step when the document is combined with one or more other such documents, such combination being obvious to a person skilled in the art	“O” document referring to an oral disclosure, use, exhibition or other means	“&” document member of the same patent family	“P” document published prior to the international filing date but later than the priority date claimed									
“A” document defining the general state of the art which is not considered to be of particular relevance	“T” later document published after the international filing date or priority date and not in conflict with the application but cited to understand the principle or theory underlying the invention																			
“E” earlier application or patent but published on or after the international filing date	“X” document of particular relevance; the claimed invention cannot be considered novel or cannot be considered to involve an inventive step when the document is taken alone																			
“L” document which may throw doubts on priority claim(s) or which is cited to establish the publication date of another citation or other special reason (as specified)	“Y” document of particular relevance; the claimed invention cannot be considered to involve an inventive step when the document is combined with one or more other such documents, such combination being obvious to a person skilled in the art																			
“O” document referring to an oral disclosure, use, exhibition or other means	“&” document member of the same patent family																			
“P” document published prior to the international filing date but later than the priority date claimed																				
<p>Date of the actual completion of the international search 07 October 2014</p>		<p>Date of mailing of the international search report 13 NOV 2014</p>																		
<p>Name and mailing address of the ISA/US Mail Stop PCT, Attn: ISA/US, Commissioner for Patents P.O. Box 1450, Alexandria, Virginia 22313-1450 Facsimile No. 571-273-3201</p>		<p>Authorized officer: Blaine R. Copenheaver PCT Helpdesk: 571-272-4300 PCT OSP: 571-272-7774</p>																		