

(19) World Intellectual Property Organization
International Bureau



(43) International Publication Date
23 July 2009 (23.07.2009)

PCT

(10) International Publication Number
WO 2009/092101 A3

(51) International Patent Classification:

A61G 5/02 (2006.01) A61G 5/10 (2006.01)
A61G 5/12 (2006.01)

(21) International Application Number:

PCT/US2009/031566

(22) International Filing Date:

21 January 2009 (21.01.2009)

(25) Filing Language:

English

(26) Publication Language:

English

(30) Priority Data:

61/022,328 19 January 2008 (19.01.2008) US

(71) Applicants and

(72) Inventors: KENT, Rich [US/US]; 937 Northwest Glisan, Unit Number 735, Portland, OR 97209 (US). SUMMERS, Wayne [US/US]; 2143 North Northlake North-east, No. 63, Seattle, WA 98103 (US).

(74) Agent: HEIMS, Tracy; APEX JURIS, PLLC, 12733 Lake City Way Northeast, Seattle, WA 98125 (US).

(81) Designated States (unless otherwise indicated, for every kind of national protection available): AE, AG, AL, AM, AO, AT, AU, AZ, BA, BB, BG, BH, BR, BW, BY, BZ, CA, CH, CN, CO, CR, CU, CZ, DE, DK, DM, DO, DZ,

EC, EE, EG, ES, FI, GB, GD, GE, GH, GM, GT, HN, HR, HU, ID, IL, IN, IS, JP, KE, KG, KM, KN, KP, KR, KZ, LA, LC, LK, LR, LS, LT, LU, LY, MA, MD, ME, MG, MK, MN, MW, MX, MY, MZ, NA, NG, NI, NO, NZ, OM, PG, PH, PL, PT, RO, RS, RU, SC, SD, SE, SG, SK, SL, SM, ST, SV, SY, TJ, TM, TN, TR, TT, TZ, UA, UG, US, UZ, VC, VN, ZA, ZM, ZW.

(84) Designated States (unless otherwise indicated, for every kind of regional protection available): ARIPO (BW, GH, GM, KE, LS, MW, MZ, NA, SD, SL, SZ, TZ, UG, ZM, ZW), Eurasian (AM, AZ, BY, KG, KZ, MD, RU, TJ, TM), European (AT, BE, BG, CH, CY, CZ, DE, DK, EE, ES, FI, FR, GB, GR, HR, HU, IE, IS, IT, LT, LU, LV, MC, MK, MT, NL, NO, PL, PT, RO, SE, SI, SK, TR), OAPI (BF, BJ, CF, CG, CI, CM, GA, GN, GQ, GW, ML, MR, NE, SN, TD, TG).

Published:

- with international search report (Art. 21(3))
- before the expiration of the time limit for amending the claims and to be republished in the event of receipt of amendments (Rule 48.2(h))

(88) Date of publication of the international search report:
29 October 2009

(54) Title: ADJUSTABLE WHEELCHAIR

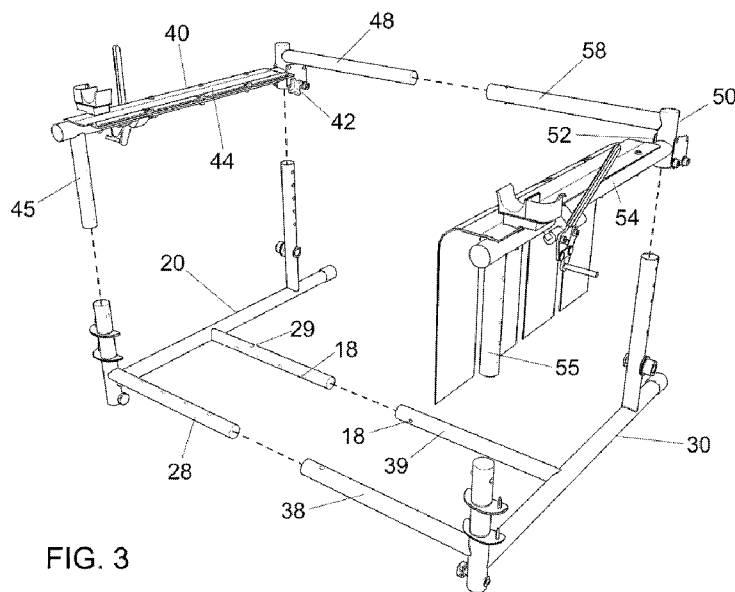


FIG. 3

(57) Abstract: An adjustable wheelchair frame that has a pair of rear wheels, a pair of front wheels, a pair of handles, and the wheelchair frame where said wheelchair frame has a first base adjustment section, a second base adjustment section, a first height adjustment section, a second height adjustment section, and where the first base adjustment section is adjustably and lockably connectable to the first height adjustment section and the second base adjustment section is adjustably and lockably connectable to the second height adjustment section; the first base section is adjustably and lockably connectable to said second base adjustment section and the first height adjustment section is adjustably and lockably connectable to said second height adjustment section, thus providing a wheelchair that is entirely adjustable for width and floor to seat height.



WO 2009/092101 A3

A. CLASSIFICATION OF SUBJECT MATTER*A61G 5/02(2006.01)i, A61G 5/12(2006.01)i, A61G 5/10(2006.01)i*

According to International Patent Classification (IPC) or to both national classification and IPC

B. FIELDS SEARCHED

Minimum documentation searched (classification system followed by classification symbols)

IPC : A61G 5/02, A61G 5/12, A61G 5/10

Documentation searched other than minimum documentation to the extent that such documents are included in the fields searched

Korean Utility models and applications for Utility models since 1975

Japanese Utility models and applications for Utility models since 1975

Electronic data base consulted during the international search (name of data base and, where practicable, search terms used)

eKOMPASS (KIPO internal) & keywords: adjust, wheelchair, separate, different size and similar terms

C. DOCUMENTS CONSIDERED TO BE RELEVANT

Category*	Citation of document, with indication, where appropriate, of the relevant passages	Relevant to claim No.
Y	WO 91-07936 A1 (MARSHALL, PHILIP, GEOFFREY) 13 June 1991 See page 5, line 13 - page 6, line 10; Claims 1-4 and Figures 3,7&8.	1-19
Y	US 3971592 A (BRENT FARLEY) 27 July 1976 See Column 1, Lines 54 -61; Claim 1 and Figures 1&3.	1-19
A	WO 97-17929 A1 (HANDINTER AG) 22 May 1997 See page 5, line 8 - page 6, line 11; Claim 1 and Figures 1&3.	1-19
A	US 4813693 A (WLATER G. LOCKARD et al.) 21 March 1989 See Column 4, Lines 3 -24; Claim 1 and Figures 1&2.	1-19
A	US 5437497 A (KELLY HUTSON) 01 August 1995 See Column 5, Lines 4 -26; Claim 1 and Figure 4.	1-19

 Further documents are listed in the continuation of Box C. See patent family annex.

* Special categories of cited documents:

"A" document defining the general state of the art which is not considered to be of particular relevance

"E" earlier application or patent but published on or after the international filing date

"L" document which may throw doubts on priority claim(s) or which is cited to establish the publication date of citation or other special reason (as specified)

"O" document referring to an oral disclosure, use, exhibition or other means

"P" document published prior to the international filing date but later than the priority date claimed

"T" later document published after the international filing date or priority date and not in conflict with the application but cited to understand the principle or theory underlying the invention

"X" document of particular relevance; the claimed invention cannot be considered novel or cannot be considered to involve an inventive step when the document is taken alone

"Y" document of particular relevance; the claimed invention cannot be considered to involve an inventive step when the document is combined with one or more other such documents, such combination being obvious to a person skilled in the art

"&" document member of the same patent family

Date of the actual completion of the international search

07 SEPTEMBER 2009 (07.09.2009)

Date of mailing of the international search report

08 SEPTEMBER 2009 (08.09.2009)

Name and mailing address of the ISA/KR

Korean Intellectual Property Office
Government Complex-Daejeon, 139 Seonsa-ro, Seo-
gu, Daejeon 302-701, Republic of Korea

Facsimile No. 82-42-472-7140

Authorized officer

BAE Jin Hyo

Telephone No. 82-42-481-8426



INTERNATIONAL SEARCH REPORT

Information on patent family members

International application No.

PCT/US2009/031566

Patent document cited in search report	Publication date	Patent family member(s)	Publication date
WO 91-07936 A1	13.06.1991	EP 0502003 A1	09.09.1992
		GB 2238275 B	15.09.1993
		GB 8926552 D0	17.01.1990
		GB 2238275 A	29.05.1991
US 3971592 A	27.07.1976	None	
WO 97-017929 A1	22.05.1997	DE 69634703 D1	09.06.2005
		DE 69634703 T2	19.01.2006
		EP 0957876 A1	24.11.1999
		EP 0957876 B1	04.05.2005
		SE 506462 C2	15.12.1997
		SE 9504083 A	16.05.1997
		SE 9504083 D0	15.11.1995
		US 06352307 B1	05.03.2002
US 4813693 A	21.03.1989	US 04989890 A	05.02.1991
		US 04840390 A	20.06.1989
		US 04981305 A	01.01.1991
US 5437497 A	01.08.1995	None	