



(43) International Publication Date
23 January 2014 (23.01.2014)

- (51) International Patent Classification:
B65H 35/00 (2006.01) *B65H 35/07* (2006.01)
- (21) International Application Number:
PCT/US2013/051464
- (22) International Filing Date:
22 July 2013 (22.07.2013)
- (25) Filing Language: English
- (26) Publication Language: English
- (30) Priority Data:
61/674,002 20 July 2012 (20.07.2012) US
- (72) Inventor; and
(71) Applicant : **RODRIGUEZ, Peter, A.** [US/US]; 1545 Main Street, Atlantic Beach, FL 32233 (US).
- (72) Inventors: **RODRIGUEZ, Jason**; 1545 Main Street, Atlantic Beach, FL 32233 (US). **DOHOGNE, Dennis**; 1545 Main Street, Atlantic Beach, FL 32233 (US).
- (74) Agent: **SAITTA, Thomas, C.**; Rogers Towers, P.A., 1301 Riverplace Blvd., Suite 1500, Jacksonville, FL 32207 (US).
- (81) Designated States (*unless otherwise indicated, for every kind of national protection available*): AE, AG, AL, AM, AO, AT, AU, AZ, BA, BB, BG, BH, BN, BR, BW, BY,

BZ, CA, CH, CL, CN, CO, CR, CU, CZ, DE, DK, DM, DO, DZ, EC, EE, EG, ES, FI, GB, GD, GE, GH, GM, GT, HN, HR, HU, ID, IL, IN, IS, JP, KE, KG, KN, KP, KR, KZ, LA, LC, LK, LR, LS, LT, LU, LY, MA, MD, ME, MG, MK, MN, MW, MX, MY, MZ, NA, NG, NI, NO, NZ, OM, PA, PE, PG, PH, PL, PT, QA, RO, RS, RU, RW, SC, SD, SE, SG, SK, SL, SM, ST, SV, SY, TH, TJ, TM, TN, TR, TT, TZ, UA, UG, US, UZ, VC, VN, ZA, ZM, ZW.

(84) Designated States (*unless otherwise indicated, for every kind of regional protection available*): ARIPO (BW, GH, GM, KE, LR, LS, MW, MZ, NA, RW, SD, SL, SZ, TZ, UG, ZM, ZW), Eurasian (AM, AZ, BY, KG, KZ, RU, TJ, TM), European (AL, AT, BE, BG, CH, CY, CZ, DE, DK, EE, ES, FI, FR, GB, GR, HR, HU, IE, IS, IT, LT, LU, LV, MC, MK, MT, NL, NO, PL, PT, RO, RS, SE, SI, SK, SM, TR), OAPI (BF, BJ, CF, CG, CI, CM, GA, GN, GQ, GW, KM, ML, MR, NE, SN, TD, TG).

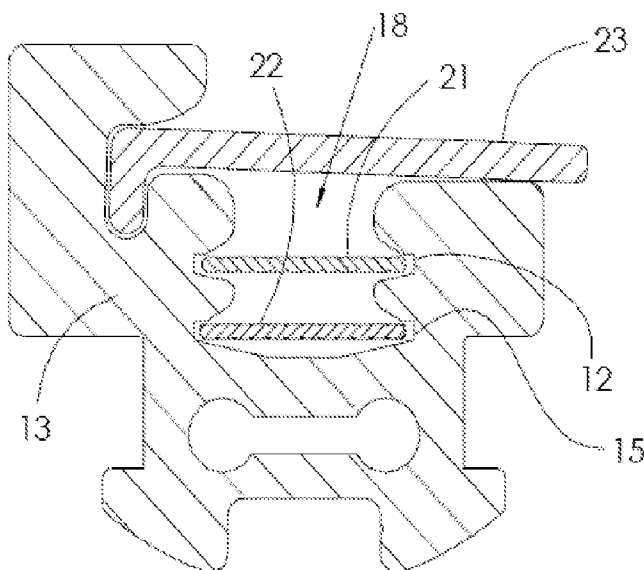
Published:

- with international search report (Art. 21(3))
- before the expiration of the time limit for amending the claims and to be republished in the event of receipt of amendments (Rule 48.2(h))

(88) Date of publication of the international search report:
3 April 2014

(54) Title: TURN-UP TAPE DELIVERY ASSEMBLY COMPRISING A DUAL CHANNEL TRACK FOR PAPER WEB TURN-UP SYSTEMS

Figure 4



(57) Abstract: An improved tape delivery assembly (10) for delivering a turn-up tape across a moving web of paper being wound onto a spool, the assembly (10) being part of a paper web turn-up system, the tape being used to sever and transfer the leading edge of the cut paper web onto an empty spool. The track body (13) of the tape delivery assembly (10) extending across the paper web comprises a dual internal pathway, having a primary longitudinal channel (12) and a secondary longitudinal channel (15) through which a primary (21) or secondary tape (22) is passed, respectively. A primary tape dispenser assembly (14) delivers the primary tape (21) into the primary channel (12) and a secondary tape dispenser assembly (14) delivers the secondary tape (22) into the secondary channel (15). A braking mechanism (30) is provided to retard travel of the primary (21) and secondary tapes (22) for removal from the track body (13).



INTERNATIONAL SEARCH REPORT

International application No.

PCT/US 13/51464

A. CLASSIFICATION OF SUBJECT MATTER

IPC(8) - B65H 35/00, 35/07 (2013.01)

USPC - 162/118

According to International Patent Classification (IPC) or to both national classification and IPC

B. FIELDS SEARCHED

Minimum documentation searched (classification system followed by classification symbols)
USPC 162/118Documentation searched other than minimum documentation to the extent that such documents are included in the fields searched
IPC(8): B65H 35/00, 35/07 (2013.01)
USPC: 162/118, 283, 287; 156/361; 242/410; 428/40.1, 41.7, 41.8, 343, 352Electronic data base consulted during the international search (name of data base and, where practicable, search terms used)
PatBase, Google (Patents, Scholar, Web); Paper, web, tape, spool, reel, turn up, first, second, primary, two, dual, several, multi, plural, backup, reserve, parallel, track, guide, channel, roller, slot, passage, brake, pause, stop, slow, retard, misfeed, malfunction, misfire, empty, deplete, run out, jam, clog, fail, break, problem, broken, liner

C. DOCUMENTS CONSIDERED TO BE RELEVANT

Category*	Citation of document, with indication, where appropriate, of the relevant passages	Relevant to claim No.
A	US 6,305,634 B1 (Rodriguez) 23 October 2001 (23.10.2001), entire document, especially Fig. 1-5; col 1, 19-53; col 5, ln 7-56	1-20
A	US 5,573,626 A (Rossini et al) 12 November 1996 (12.11.1996), entire document, especially Fig. 3 and 14-29; col 22, ln 41 to col 23, ln 48	1-20
A	US 5,046,675 A (Rodriguez) 10 September 1991 (10.09.1991), entire document, especially Fig. 1-3, col 2, ln 43 to col 3, ln 28; col 4, ln 39 to col 5, ln 15	11-14
A	US 6,013,148 A (Bluemle) 11 January 2000 (11.01.2000), entire document, especially Fig. 2-3 and 6-7; col 3, ln 24-46; col 4, ln 3-22	3-8, 15-18, 20
A	US 6,575,395 B2 (Rodriguez) 10 June 2003 (10.06.2003), entire document, especially col 5, ln 22 to col 6, ln 42	1-20

 Further documents are listed in the continuation of Box C.

* Special categories of cited documents:

"A" document defining the general state of the art which is not considered to be of particular relevance

"E" earlier application or patent but published on or after the international filing date

"L" document which may throw doubts on priority claim(s) or which is cited to establish the publication date of another citation or other special reason (as specified)

"O" document referring to an oral disclosure, use, exhibition or other means

"P" document published prior to the international filing date but later than the priority date claimed

"T" later document published after the international filing date or priority date and not in conflict with the application but cited to understand the principle or theory underlying the invention

"X" document of particular relevance; the claimed invention cannot be considered novel or cannot be considered to involve an inventive step when the document is taken alone

"Y" document of particular relevance; the claimed invention cannot be considered to involve an inventive step when the document is combined with one or more other such documents, such combination being obvious to a person skilled in the art

"&" document member of the same patent family

Date of the actual completion of the international search

08 January 2014 (08.01.2014)

Date of mailing of the international search report

07 FEB 2014

Name and mailing address of the ISA/US

Mail Stop PCT, Attn: ISA/US, Commissioner for Patents
P.O. Box 1450, Alexandria, Virginia 22313-1450

Facsimile No. 571-273-3201

Authorized officer:

Lee W. Young

PCT Helpdesk: 571-272-4300
PCT OSP: 571-272-7774