



(51) International Patent Classification:

B01D 27/08 (2006.01) *C02F 1/00* (2006.01)
B01D 29/15 (2006.01) *C02F 1/28* (2006.01)
B01D 29/96 (2006.01) *C02F 1/42* (2006.01)

(21) International Application Number:

PCT/GB2015/050077

(22) International Filing Date:

15 January 2015 (15.01.2015)

(25) Filing Language:

English

(26) Publication Language:

English

(30) Priority Data:

1400747.0 16 January 2014 (16.01.2014) GB

(71) Applicant: **ICON TECHNOLOGY SYSTEMS LIMITED** [GB/GB]; The Court House, 9 Grafton Street, Altrincham Cheshire WA14 1DU (GB).

(72) Inventor: **CUPIT, David**; The Court House, 9 Grafton Street, Altrincham Cheshire WA14 1DU (GB).

(74) Agent: **WP THOMPSON**; 8th Floor, No. 1 Mann Island, Liverpool Merseyside L3 1BP (GB).

(81) Designated States (unless otherwise indicated, for every kind of national protection available): AE, AG, AL, AM, AO, AT, AU, AZ, BA, BB, BG, BH, BN, BR, BW, BY, BZ, CA, CH, CL, CN, CO, CR, CU, CZ, DE, DK, DM, DO, DZ, EC, EE, EG, ES, FI, GB, GD, GE, GH, GM, GT, HN, HR, HU, ID, IL, IN, IR, IS, JP, KE, KG, KN, KP, KR, KZ, LA, LC, LK, LR, LS, LU, LY, MA, MD, ME, MG, MK, MN, MW, MX, MY, MZ, NA, NG, NI, NO, NZ, OM,

[Continued on next page]

(54) Title: FLUID FILTER INSERT AND FLUID SPREADER

(57) Abstract: A filter insert for filtering a fluid, comprising: an elongate closed-ended tube including a circumferential sealing rim; and a conduit for conveying fluid, one end of the conduit forming an inlet opening, the other end of the conduit being suitable for dispersing fluid into a filter medium located within the tube.

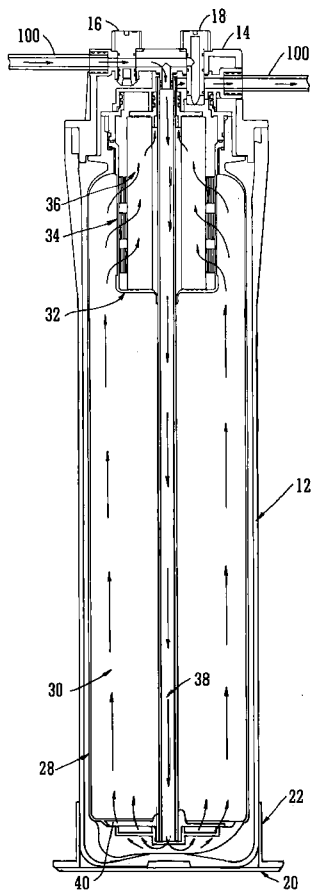


FIG. 2



PA, PE, PG, PH, PL, PT, QA, RO, RS, RU, RW, SA, SC, SD, SE, SG, SK, SL, SM, ST, SV, SY, TH, TJ, TM, TN, TR, TT, TZ, UA, UG, US, UZ, VC, VN, ZA, ZM, ZW.

(84) Designated States (unless otherwise indicated, for every kind of regional protection available): ARIPO (BW, GH, GM, KE, LR, LS, MW, MZ, NA, RW, SD, SL, ST, SZ, TZ, UG, ZM, ZW), Eurasian (AM, AZ, BY, KG, KZ, RU, TJ, TM), European (AL, AT, BE, BG, CH, CY, CZ, DE, DK, EE, ES, FI, FR, GB, GR, HR, HU, IE, IS, IT, LT, LU, LV, MC, MK, MT, NL, NO, PL, PT, RO, RS, SE, SI, SK, SM, TR), OAPI (BF, BJ, CF, CG, CI, CM, GA, GN, GQ, GW, KM, ML, MR, NE, SN, TD, TG).

Published:

- with international search report (Art. 21(3))
- before the expiration of the time limit for amending the claims and to be republished in the event of receipt of amendments (Rule 48.2(h))

(88) Date of publication of the international search report:

15 October 2015

INTERNATIONAL SEARCH REPORT

International application No
PCT/GB2015/050077

A. CLASSIFICATION OF SUBJECT MATTER
 INV. B01D27/08 B01D29/15 B01D29/96 C02F1/00 C02F1/28
 C02F1/42
 ADD.
 According to International Patent Classification (IPC) or to both national classification and IPC

B. FIELDS SEARCHED
 Minimum documentation searched (classification system followed by classification symbols)
 B01D C02F

Documentation searched other than minimum documentation to the extent that such documents are included in the fields searched

Electronic data base consulted during the international search (name of data base and, where practicable, search terms used)
 EPO-Internal, PAJ, WPI Data

C. DOCUMENTS CONSIDERED TO BE RELEVANT

Category*	Citation of document, with indication, where appropriate, of the relevant passages	Relevant to claim No.
X	US 2004/020837 A1 (REID ROGER P [US]) 5 February 2004 (2004-02-05) figures 3, 4B, 7 -----	1-36
A	GB 2 477 942 A (ICON TECHNOLOGY SYSTEMS LTD [GB]) 24 August 2011 (2011-08-24) the whole document -----	1-36
A	WO 98/48916 A1 (CUNO INC [US]) 5 November 1998 (1998-11-05) the whole document -----	1-36
A	US 5 128 034 A (KOOL DENNIS J [US]) 7 July 1992 (1992-07-07) the whole document -----	1-36
	----- -/--	

Further documents are listed in the continuation of Box C. See patent family annex.

* Special categories of cited documents :

"A" document defining the general state of the art which is not considered to be of particular relevance	"T" later document published after the international filing date or priority date and not in conflict with the application but cited to understand the principle or theory underlying the invention
"E" earlier application or patent but published on or after the international filing date	"X" document of particular relevance; the claimed invention cannot be considered novel or cannot be considered to involve an inventive step when the document is taken alone
"L" document which may throw doubts on priority claim(s) or which is cited to establish the publication date of another citation or other special reason (as specified)	"Y" document of particular relevance; the claimed invention cannot be considered to involve an inventive step when the document is combined with one or more other such documents, such combination being obvious to a person skilled in the art
"O" document referring to an oral disclosure, use, exhibition or other means	"&" document member of the same patent family
"P" document published prior to the international filing date but later than the priority date claimed	

Date of the actual completion of the international search 23 July 2015	Date of mailing of the international search report 24/08/2015
-------------------------------------------------------------------------------	----------------------------------------------------------------------

Name and mailing address of the ISA/ European Patent Office, P.B. 5818 Patentlaan 2 NL - 2280 HV Rijswijk Tel. (+31-70) 340-2040, Fax: (+31-70) 340-3016	Authorized officer Skowronski, Maik
----------------------------------------------------------------------------------------------------------------------------------------------------------------------	--------------------------------------------

INTERNATIONAL SEARCH REPORT

International application No.
PCT/GB2015/050077

Box No. II Observations where certain claims were found unsearchable (Continuation of item 2 of first sheet)

This international search report has not been established in respect of certain claims under Article 17(2)(a) for the following reasons:

1. Claims Nos.:
because they relate to subject matter not required to be searched by this Authority, namely:

2. Claims Nos.:
because they relate to parts of the international application that do not comply with the prescribed requirements to such an extent that no meaningful international search can be carried out, specifically:

3. Claims Nos.:
because they are dependent claims and are not drafted in accordance with the second and third sentences of Rule 6.4(a).

Box No. III Observations where unity of invention is lacking (Continuation of item 3 of first sheet)

This International Searching Authority found multiple inventions in this international application, as follows:

see additional sheet

1. As all required additional search fees were timely paid by the applicant, this international search report covers all searchable claims.
2. As all searchable claims could be searched without effort justifying an additional fees, this Authority did not invite payment of additional fees.
3. As only some of the required additional search fees were timely paid by the applicant, this international search report covers only those claims for which fees were paid, specifically claims Nos.:
4. No required additional search fees were timely paid by the applicant. Consequently, this international search report is restricted to the invention first mentioned in the claims; it is covered by claims Nos.:

Remark on Protest

- The additional search fees were accompanied by the applicant's protest and, where applicable, the payment of a protest fee.
- The additional search fees were accompanied by the applicant's protest but the applicable protest fee was not paid within the time limit specified in the invitation.
- No protest accompanied the payment of additional search fees.

FURTHER INFORMATION CONTINUED FROM PCT/ISA/ 210

This International Searching Authority found multiple (groups of) inventions in this international application, as follows:

1. claims: 1-36

A filter insert with an elongated closed-ended tube and a conduit for dispersing a fluid into a filter medium

2. claims: 37-41

A spreader for dispersing fluid into a medium having a planar portion with first face a plurality of slats and a second face having a plurality of apertures, an opening from the first to the second face and a deformable outer seal for an interference fit inside a filter insert

INTERNATIONAL SEARCH REPORT

 International application No
 PCT/GB2015/050077

C(Continuation). DOCUMENTS CONSIDERED TO BE RELEVANT		
Category*	Citation of document, with indication, where appropriate, of the relevant passages	Relevant to claim No.
A	JP H09 174050 A (KURITATSUKU KK) 8 July 1997 (1997-07-08) the whole document	1-36
A	----- WO 2007/002893 A2 (SELECTO INC [US]; LEVY EHUD [US]; TADLOCK JOHN [US]; WANG PETER [US]) 4 January 2007 (2007-01-04) the whole document	37,38
A	----- US 3 319 791 A (HORNE FRED H) 16 May 1967 (1967-05-16) the whole document	37,38
A	----- US 3 662 780 A (MARSH ROBERT E) 16 May 1972 (1972-05-16) the whole document	37,38
A	----- EP 2 023 032 A1 (ENPRESS L L C [US]) 11 February 2009 (2009-02-11) the whole document	37,38

INTERNATIONAL SEARCH REPORT

Information on patent family members

International application No

PCT/GB2015/050077

Patent document cited in search report	Publication date	Patent family member(s)	Publication date	
US 2004020837	A1	05-02-2004	US 2004020837 A1	05-02-2004
			US 2007119766 A1	31-05-2007
GB 2477942	A	24-08-2011	CN 103108685 A	15-05-2013
			CN 104707373 A	17-06-2015
			EP 2536477 A2	26-12-2012
			GB 2477942 A	24-08-2011
			KR 20120134127 A	11-12-2012
			US 2013186815 A1	25-07-2013
			WO 2011101652 A2	25-08-2011
WO 9848916	A1	05-11-1998	AU 713022 B2	18-11-1999
			AU 6577298 A	24-11-1998
			DE 69815279 D1	10-07-2003
			DE 69815279 T2	06-05-2004
			EP 0929355 A1	21-07-1999
			JP 2001506184 A	15-05-2001
			US 5919362 A	06-07-1999
			WO 9848916 A1	05-11-1998
US 5128034	A	07-07-1992	NONE	
JP H09174050	A	08-07-1997	JP 2715371 B2	18-02-1998
			JP H09174050 A	08-07-1997
WO 2007002893	A2	04-01-2007	AT 501981 T	15-04-2011
			EP 1896369 A2	12-03-2008
			US 2007000833 A1	04-01-2007
			US 2010140156 A1	10-06-2010
			WO 2007002893 A2	04-01-2007
US 3319791	A	16-05-1967	NONE	
US 3662780	A	16-05-1972	NONE	
EP 2023032	A1	11-02-2009	AT 540259 T	15-01-2012
			CN 101363572 A	11-02-2009
			EP 2023032 A1	11-02-2009
			HK 1124903 A1	31-08-2012
			US 2009039009 A1	12-02-2009
			US 2010263746 A1	21-10-2010