



US00D856490S

(12) **United States Design Patent**  
**Seum et al.**

(10) **Patent No.:** **US D856,490 S**

(45) **Date of Patent:** **\*\* Aug. 13, 2019**

(54) **FAUCET**

(71) Applicant: **Grohe AG**, Hemer (DE)

(72) Inventors: **Michael Seum**, Duesseldorf (DE);  
**Jacob Nitz**, Brooklyn, NY (US)

(73) Assignee: **Grohe AG**, Hemer (DE)

(\*\*) Term: **15 Years**

(21) Appl. No.: **29/638,835**

(22) Filed: **Mar. 1, 2018**

(30) **Foreign Application Priority Data**

Sep. 1, 2017 (EM) ..... 004203016-0003

(51) **LOC (12) Cl.** ..... **23-01**

(52) **U.S. Cl.**  
USPC ..... **D23/242**

(58) **Field of Classification Search**

USPC ..... D23/238-243, 249, 255, 257, 250, 252,  
D23/254; D8/307-308

CPC ..... F16K 31/60; F16K 31/602; F16K 31/605;  
F16K 31/607; E03C 1/0412; E03C  
1/0409

See application file for complete search history.

(56) **References Cited**

**U.S. PATENT DOCUMENTS**

D517,655 S \* 3/2006 Ogata ..... D23/241  
D701,592 S \* 3/2014 Zhenqiang ..... D23/238

D721,165 S \* 1/2015 Downey ..... D23/255  
D723,663 S \* 3/2015 Downey ..... D23/238  
D760,359 S \* 6/2016 Citterio ..... D23/252  
D767,727 S \* 9/2016 Eads ..... D23/242  
D797,249 S \* 9/2017 Downey ..... D23/252  
D809,630 S \* 2/2018 Schoenherr ..... D23/242

\* cited by examiner

*Primary Examiner* — Robert A Delehanty

(74) *Attorney, Agent, or Firm* — Muncy, Geissler, Olds &  
Lowe, P.C.

(57) **CLAIM**

The ornamental design for a faucet, as shown and described.

**DESCRIPTION**

FIG. 1 is a front perspective view of a faucet according to the present invention.

FIG. 2 is a front view of the faucet of FIG. 1.

FIG. 3 is a rear view of the faucet of FIG. 1.

FIG. 4 is a left side view of the faucet of FIG. 1.

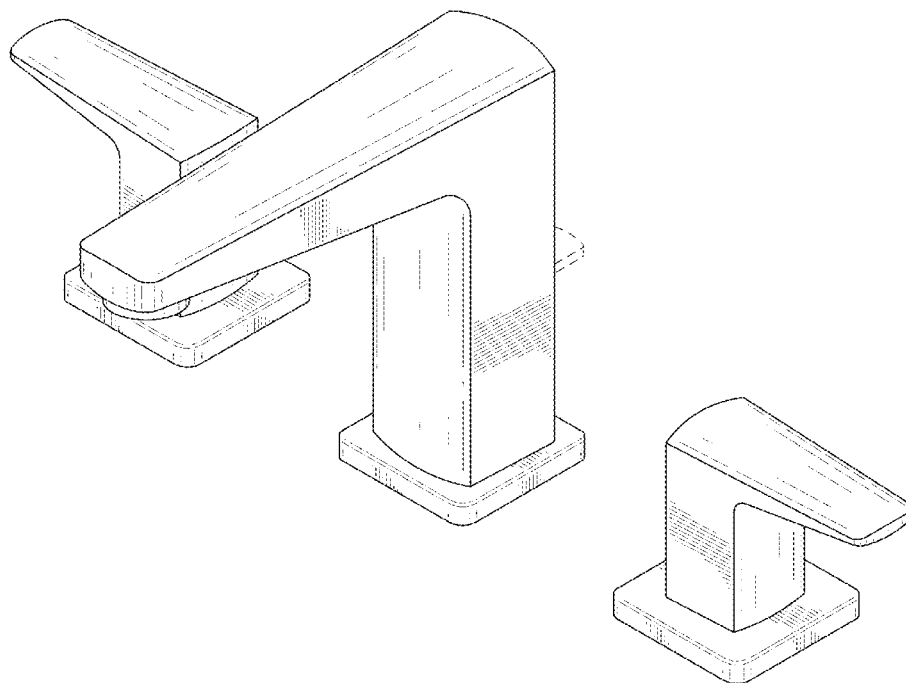
FIG. 5 is a right side view of the faucet of FIG. 1.

FIG. 6 is a top view of the faucet of FIG. 1; and,

FIG. 7 is a bottom view of the faucet of FIG. 1.

The dashed lines illustrate environment that does not form a part of the present invention, and no claim is made to the material illustrated with dashed lines.

**1 Claim, 7 Drawing Sheets**



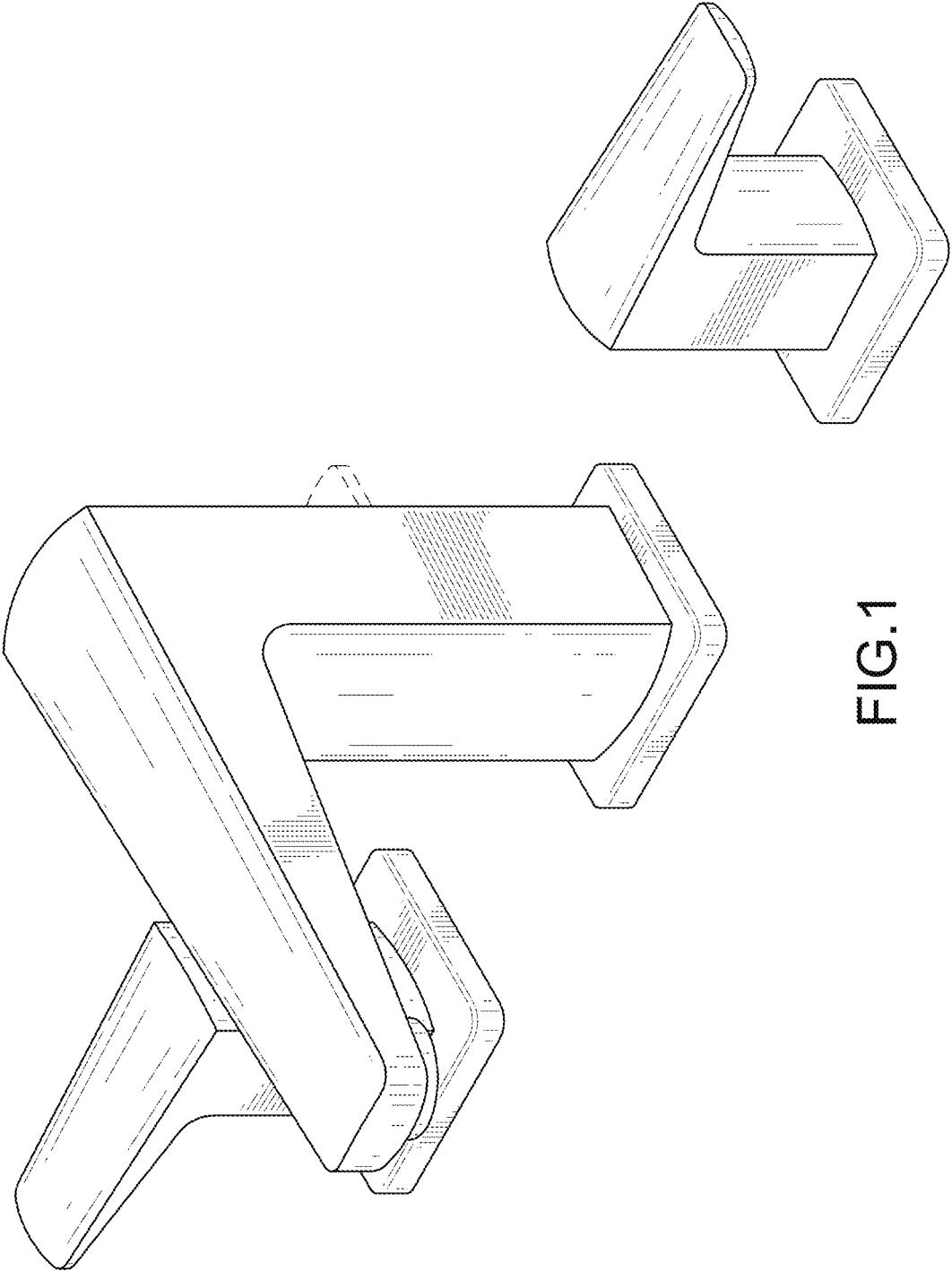


FIG.1

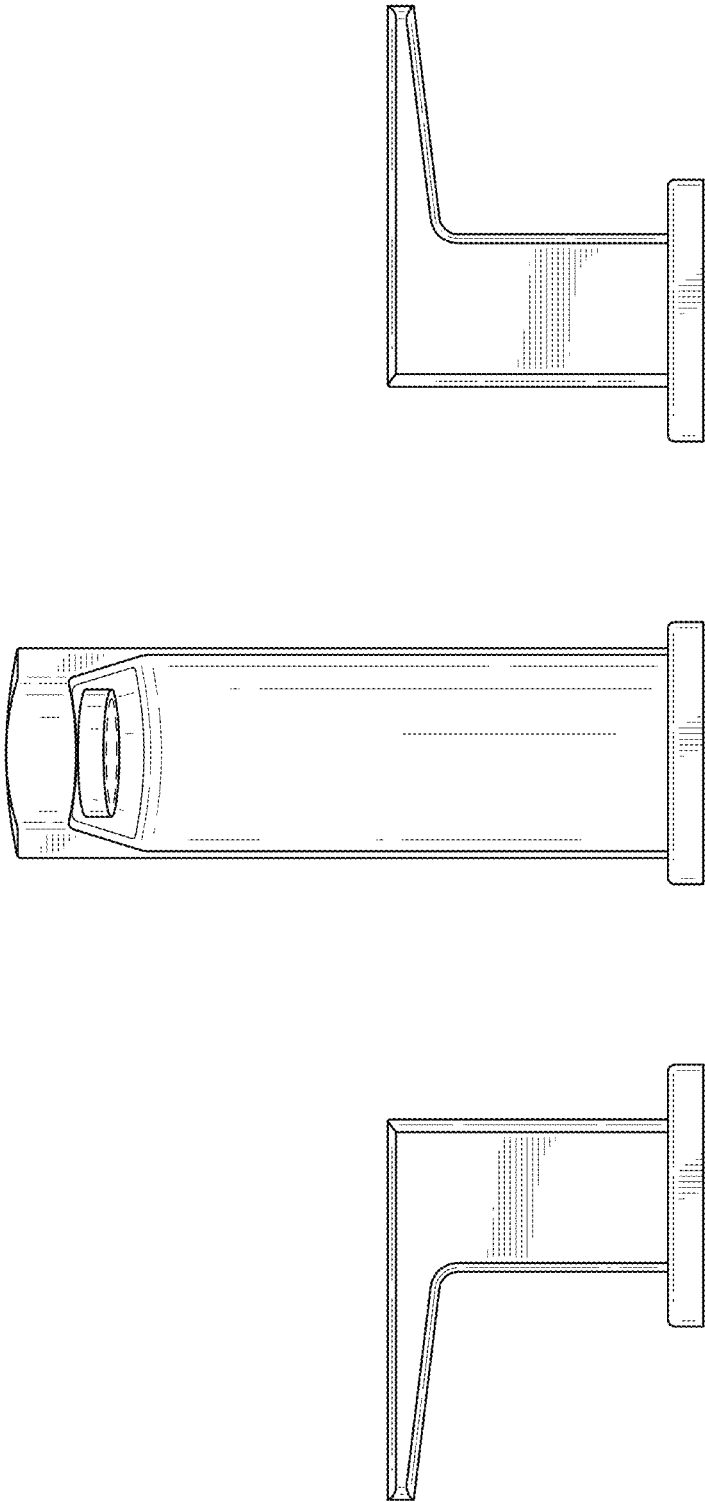


FIG.2

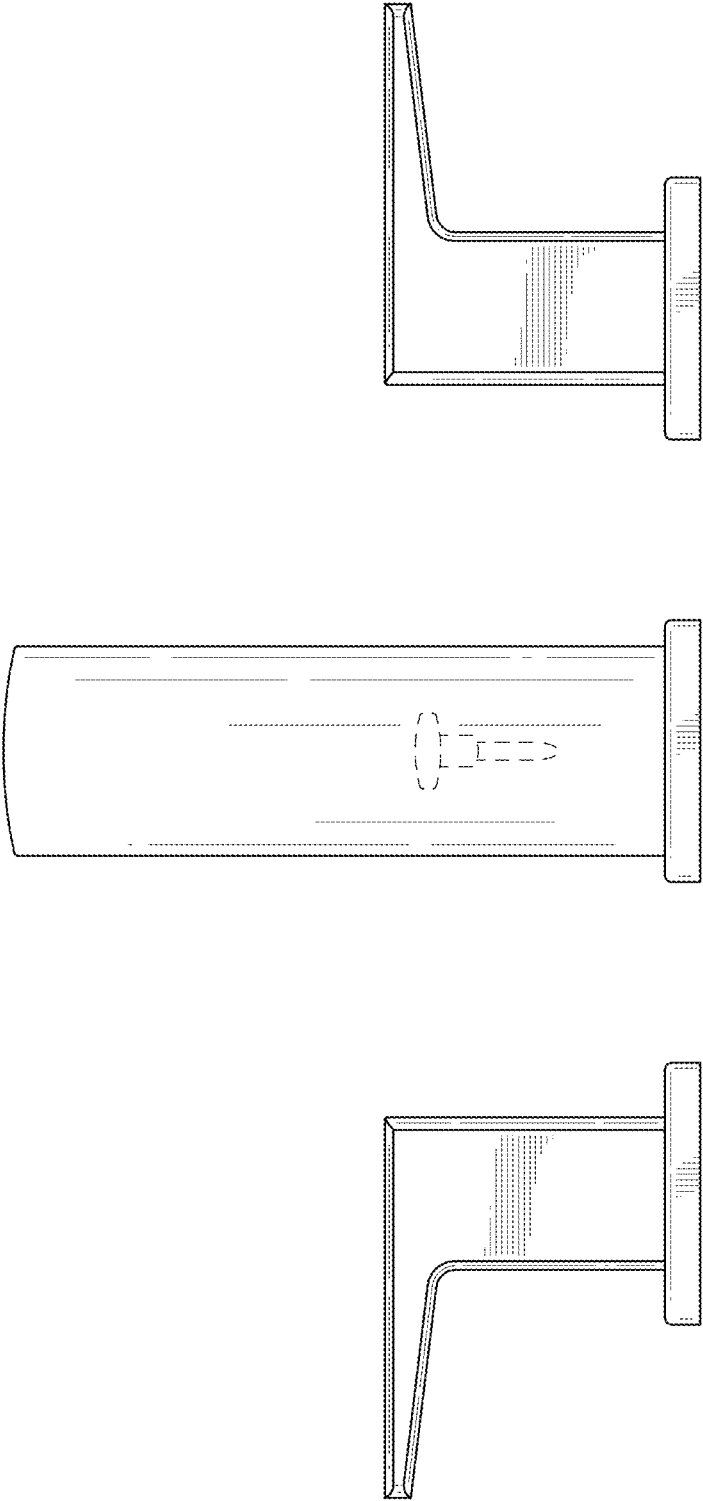


FIG.3

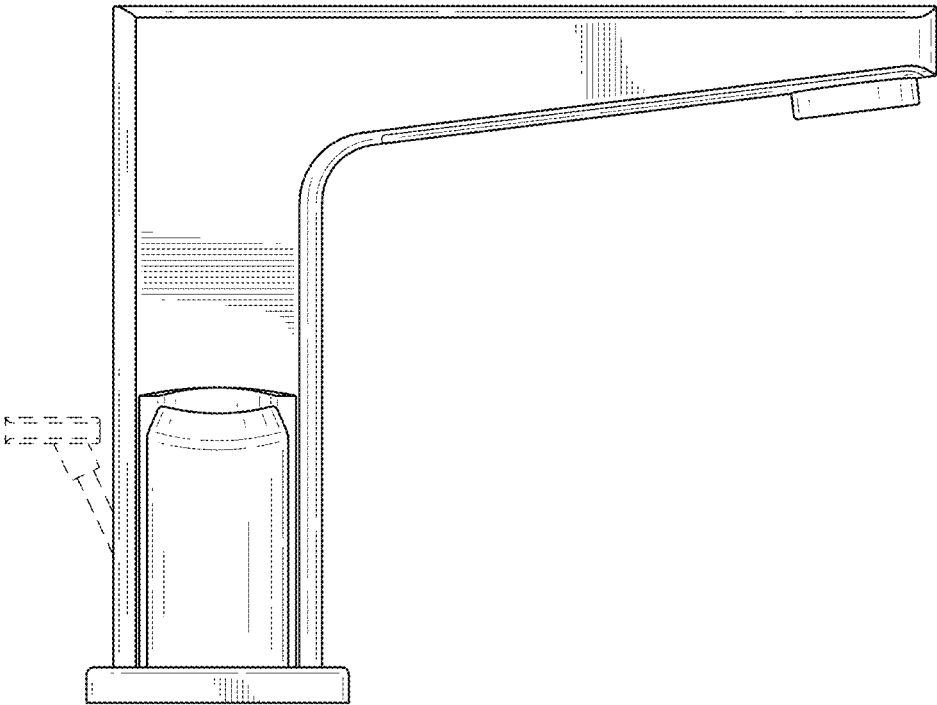


FIG.4

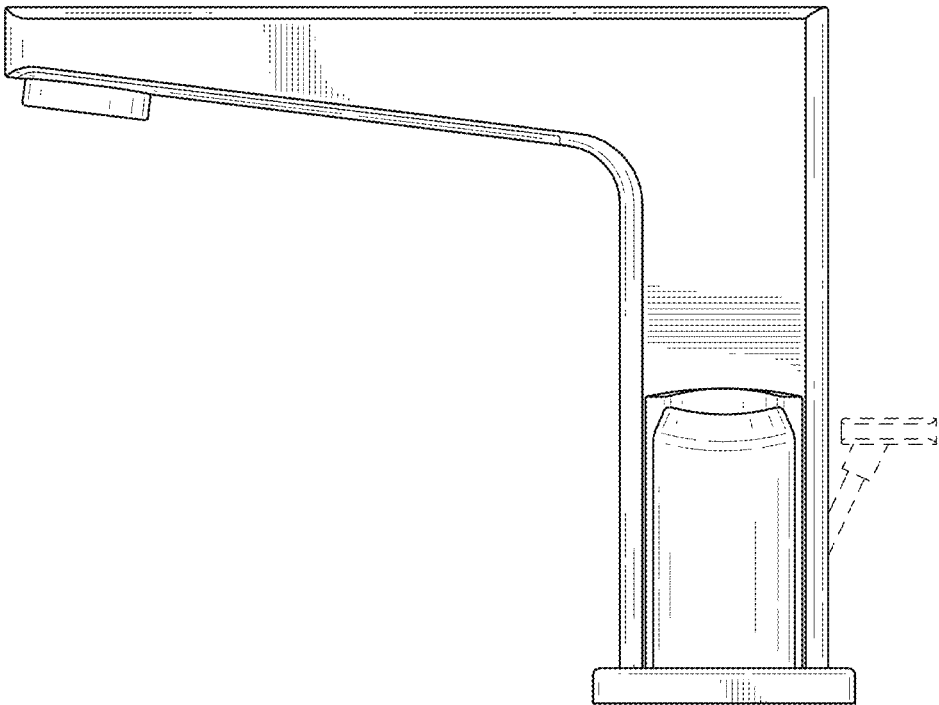


FIG.5

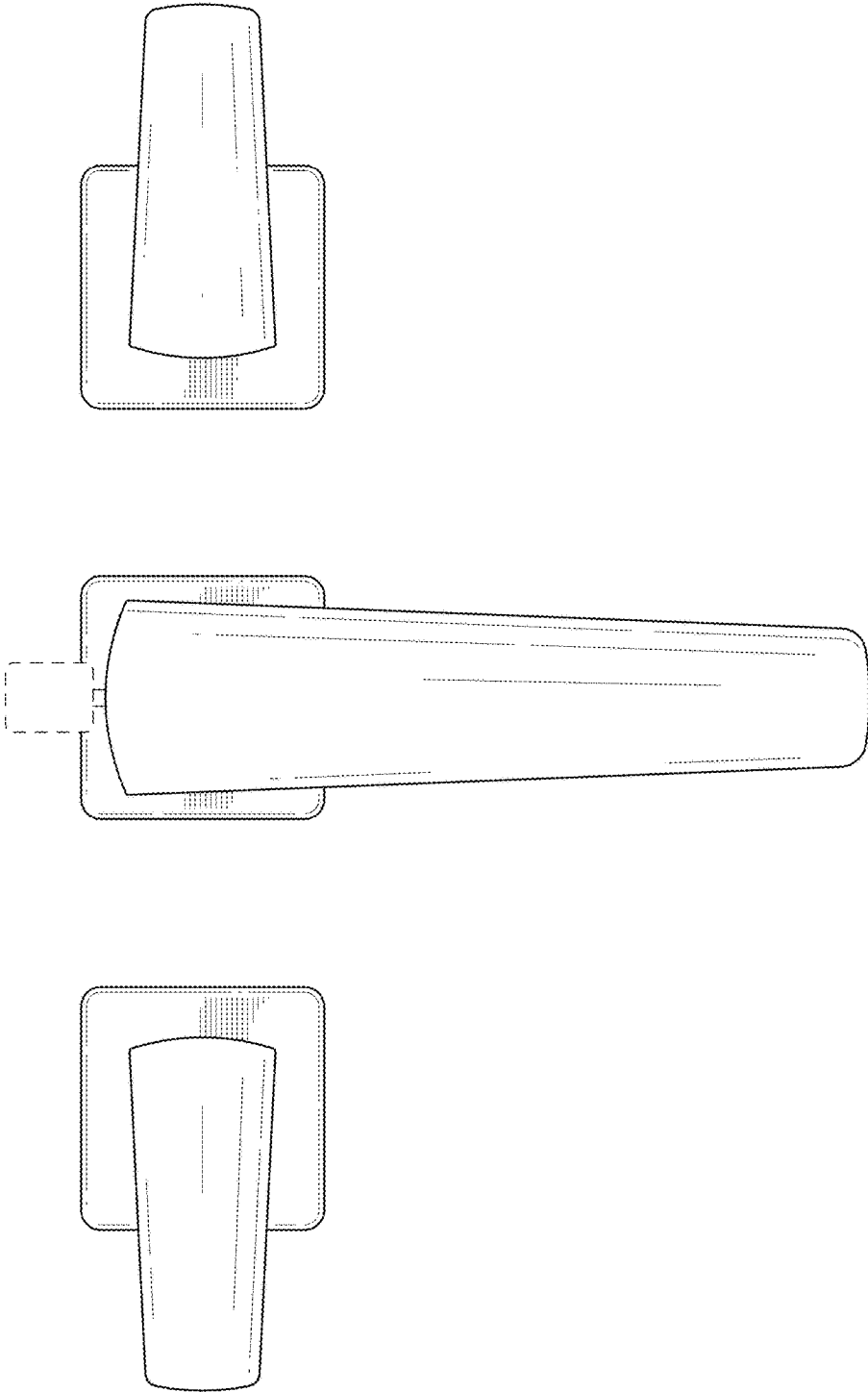


FIG.6

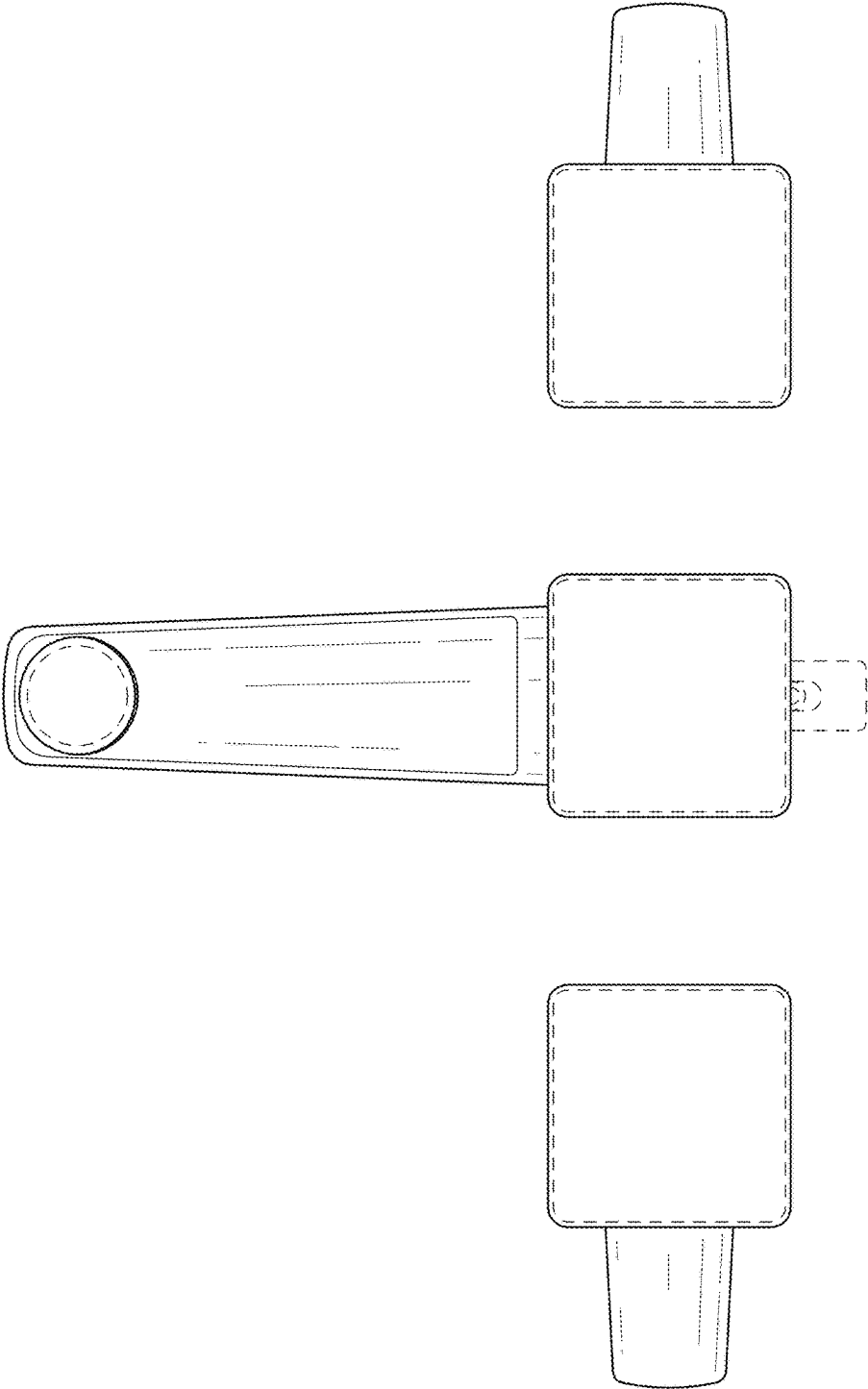


FIG.7