



US00D738696S

(12) **United States Design Patent**
Goodman et al.

(10) **Patent No.:** **US D738,696 S**

(45) **Date of Patent:** **** Sep. 15, 2015**

(54) **MUG HOLDER**

(71) Applicant: **Spectrum Diversified Designs, Inc.**,
Streetsboro, OH (US)

(72) Inventors: **Sheldon H. Goodman**, Solon, OH (US);
Phaysouk Xayoiphonh, Akron, OH
(US); **Jennifer Case**, Middleburg
Heights, OH (US)

(73) Assignee: **Spectrum Diversified Designs, Inc.**,
Streetsboro, OH (US)

(**) Term: **14 Years**

(21) Appl. No.: **29/446,935**

(22) Filed: **Feb. 28, 2013**

(51) **LOC (10) Cl.** **07-06**

(52) **U.S. Cl.**
USPC **D7/704**

(58) **Field of Classification Search**
USPC D7/701-708, 600.1-600.4; D6/457,
D6/682.6, 405, 411, 458, 462, 465;
211/13.1, 30-33, 71.01, 70.6, 70.7, 74,
211/77-78, 171, 181.1, 205; 248/116, 121,
248/175, 176.1, 465.1, 511, 512, 519
See application file for complete search history.

(56) **References Cited**

U.S. PATENT DOCUMENTS

D312,556 S * 12/1990 Ancona et al. D7/701
D385,758 S * 11/1997 Hollinger D7/704
D393,783 S * 4/1998 Goodman D7/704

D529,348 S * 10/2006 Goodman et al. D7/704
D539,104 S * 3/2007 Goodman et al. D7/704
D560,449 S * 1/2008 Goodman et al. D7/707
D628,865 S * 12/2010 Guindi D7/704
D652,697 S * 1/2012 Guindi D7/704

* cited by examiner

Primary Examiner — Wan Laymon

Assistant Examiner — Mark Booker

(74) *Attorney, Agent, or Firm* — Renner, Otto, Boisselle &
Sklar, LLP

(57) **CLAIM**

The ornamental design for a mug holder, as shown and
described.

DESCRIPTION

FIG. 1 is a perspective view of a mug holder showing my new
design;

FIG. 2 is a front view of the mug holder, the rear view being
a mirror image thereof;

FIG. 3 is a cross-section view of wire used to form the mug
holder, taken along line 3-3 of FIG. 2.

FIG. 4 is a side view of the mug holder, the opposite side being
a mirror image thereof;

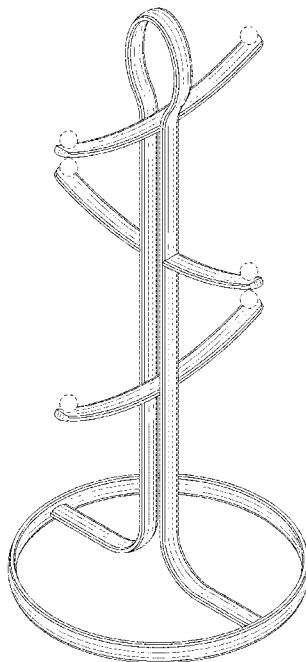
FIG. 5 is a top view of the mug holder;

FIG. 6 is a bottom view of the mug holder; and,

FIG. 7 is a perspective view of a second embodiment of a mug
holder showing my new design, which is the same as the first
embodiment except the cross-sectional shape of the wire is
different.

The broken lines in the drawing illustrate environmental mat-
ter and form no part of the claimed design.

1 Claim, 4 Drawing Sheets



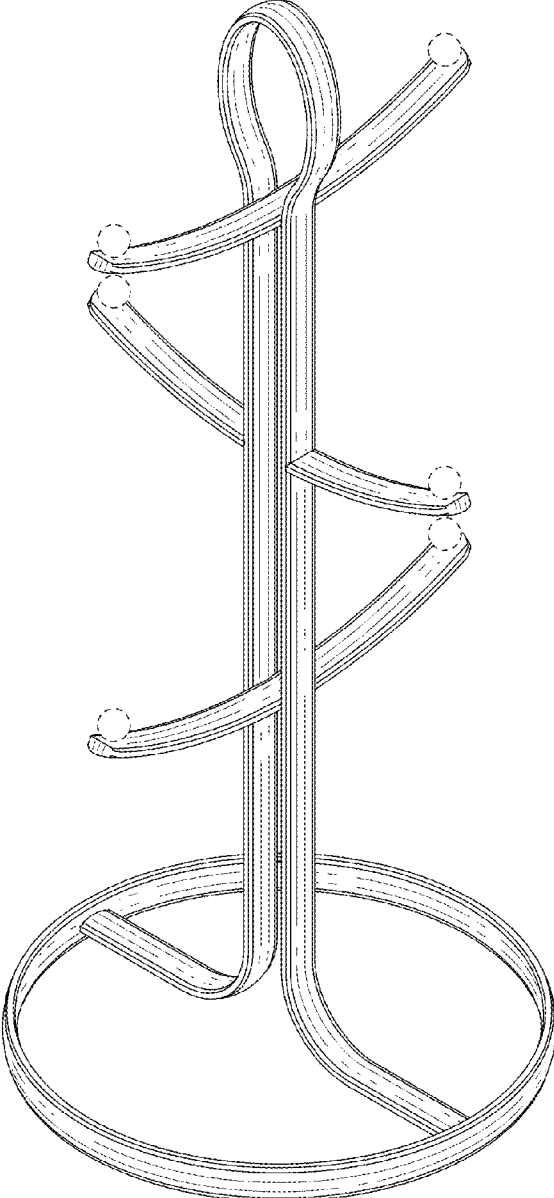


FIG. 1

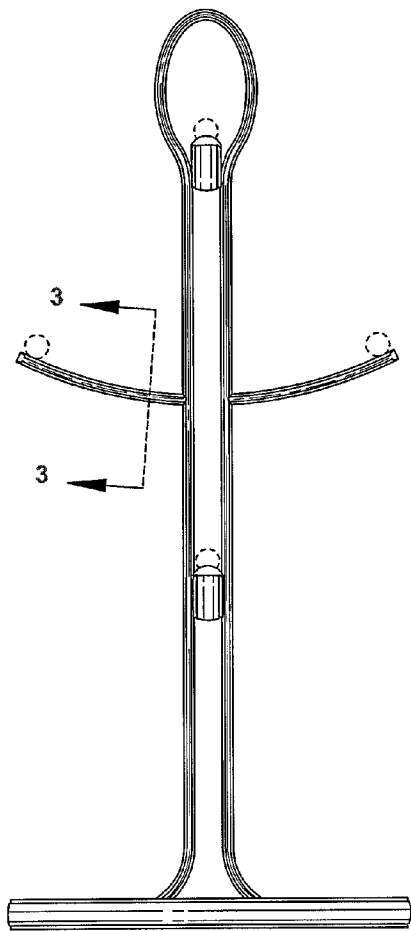


FIG. 2

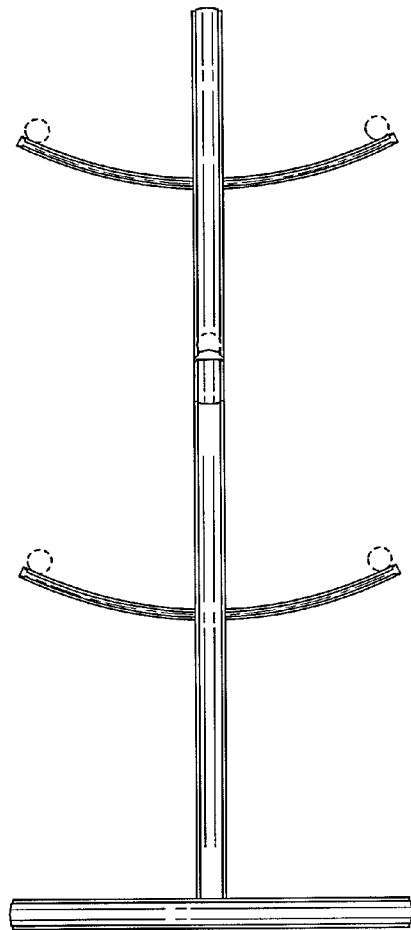


FIG. 4



FIG. 3

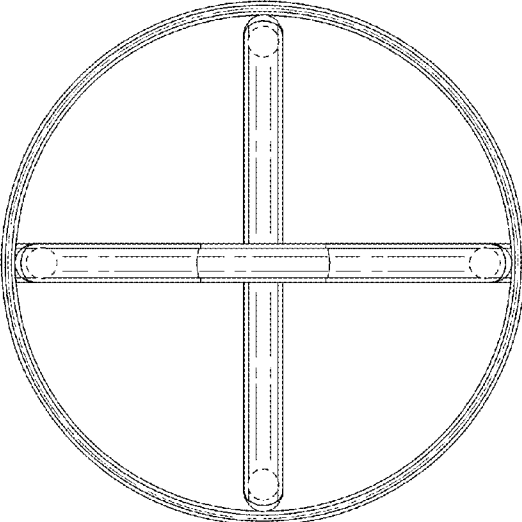


FIG. 5

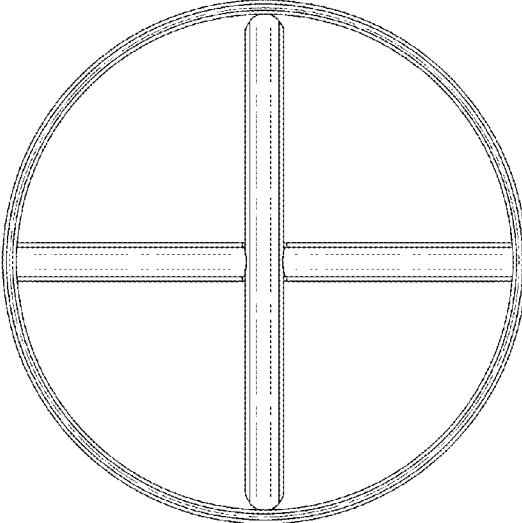


FIG. 6

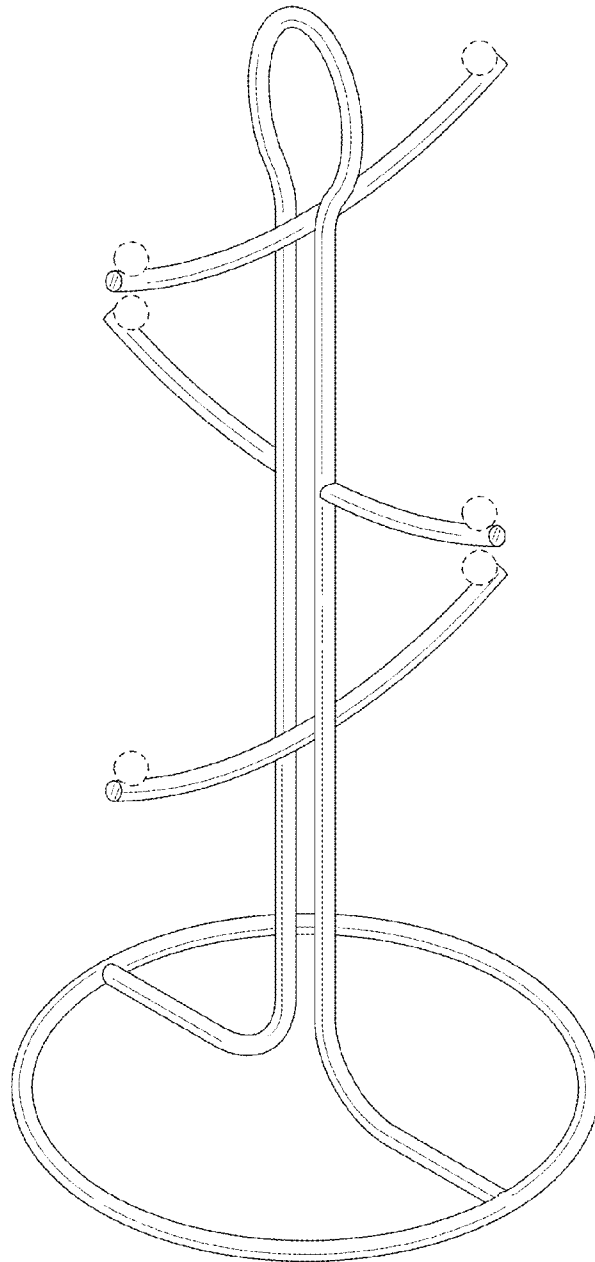


FIG. 7