



US00D587202S

(12) **United States Design Patent**
Dobler

(10) **Patent No.:** **US D587,202 S**

(45) **Date of Patent:** **** Feb. 24, 2009**

(54) **CONNECTOR**

(75) Inventor: **Oliver Dobler**, Tschagguns (AT)

(73) Assignee: **Neutrik Aktiengesellschaft**,
Liechtenstien (AT)

(**) Term: **14 Years**

(21) Appl. No.: **29/293,600**

(22) Filed: **Dec. 3, 2007**

(30) **Foreign Application Priority Data**

Jun. 15, 2007 (EM) 000741152

(51) **LOC (9) Cl.** **13-03**

(52) **U.S. Cl.** **D13/133**

(58) **Field of Classification Search** D13/133,
D13/149, 151, 153, 154, 184, 199; 439/246,
439/252, 306, 476.1, 578, 580, 675, 583-585,
439/668-669, 750, 751, 805, 825, 851, 889;
174/75 C

See application file for complete search history.

(56) **References Cited**

U.S. PATENT DOCUMENTS

4,129,352 A * 12/1978 Iizuka 439/675
D312,813 S * 12/1990 Takizawa D13/133
6,093,043 A * 7/2000 Gray et al. 439/352

D475,969 S * 6/2003 Pincek et al. D13/133
D574,784 S * 8/2008 Chawgo D13/154
2008/0194142 A1 * 8/2008 Wlos 439/584

* cited by examiner

Primary Examiner—Daniel D Bui

Assistant Examiner—Thomas J Johannes

(74) *Attorney, Agent, or Firm*—Neal L. Slifkin

(57) **CLAIM**

The ornamental design of a connector, as shown and described.

DESCRIPTION

FIG. 1 is a right side elevation view of a connector showing my new design;

FIG. 2 is a bottom plan view thereof;

FIG. 3 is a left side elevation view thereof;

FIG. 4 is a top plan view thereof;

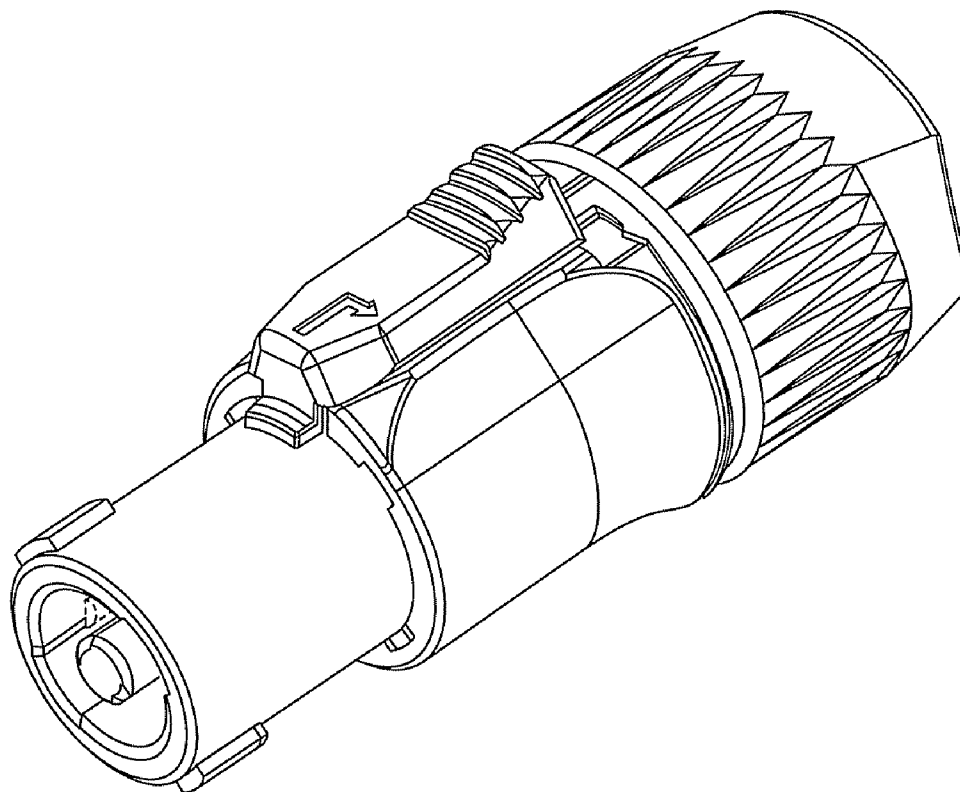
FIG. 5 is a front elevation view thereof;

FIG. 6 is a rear elevation view thereof; and,

FIG. 7 is a perspective view thereof.

The broken line showing of unclaimed internal detail in FIGS. 5 and 6 is included for illustrative purposes only and forms no part of the claimed design.

1 Claim, 3 Drawing Sheets



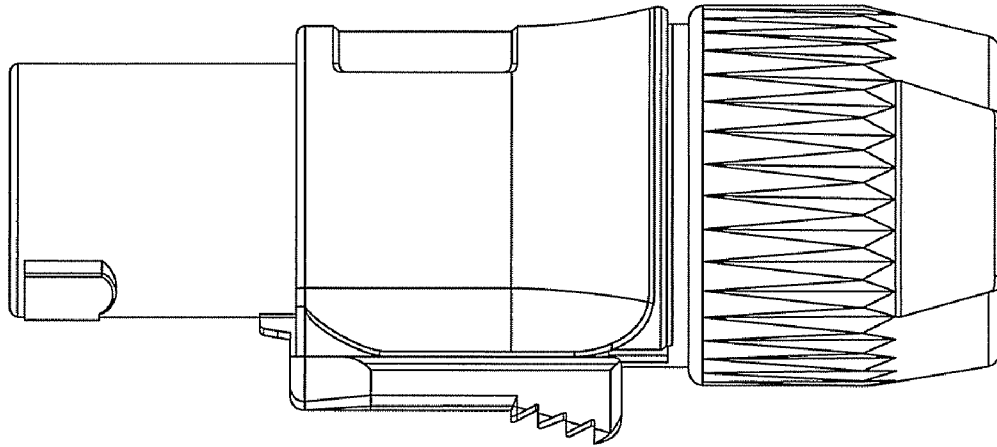


FIG. 1

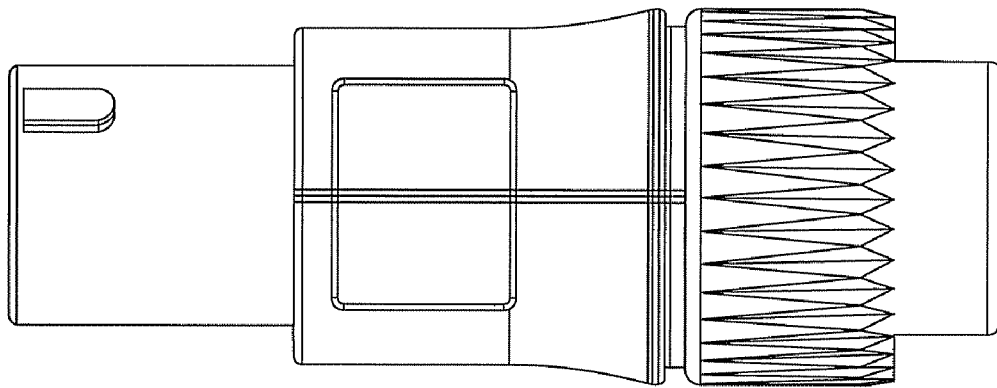


FIG. 2

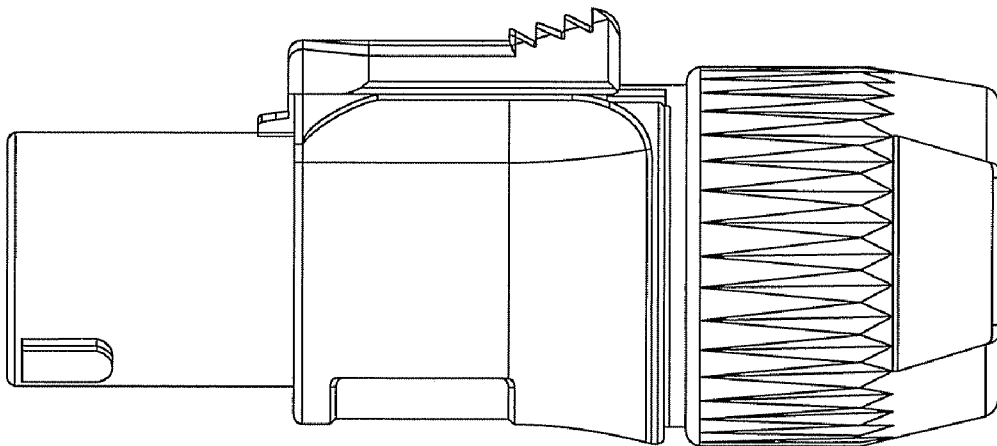


FIG. 3

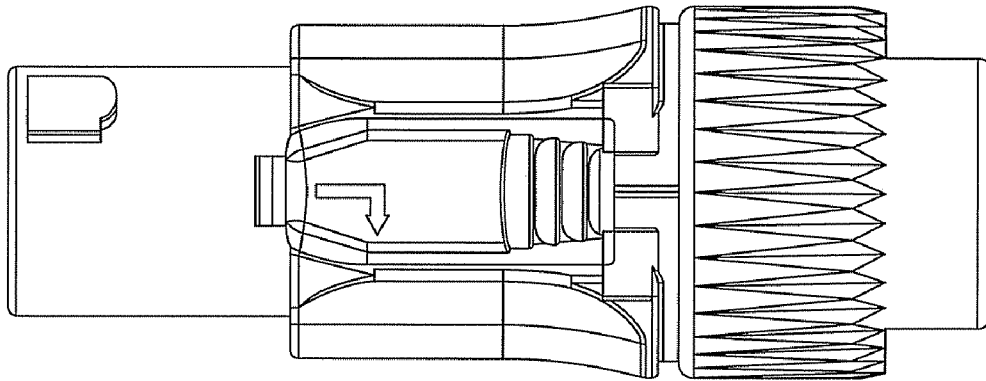


FIG. 4

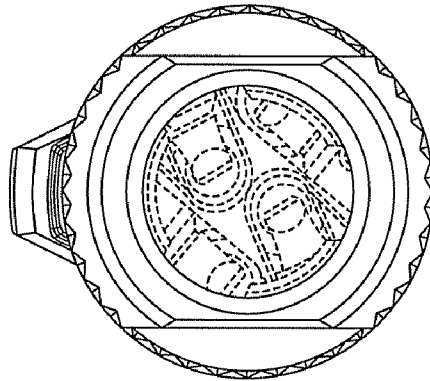


FIG. 5

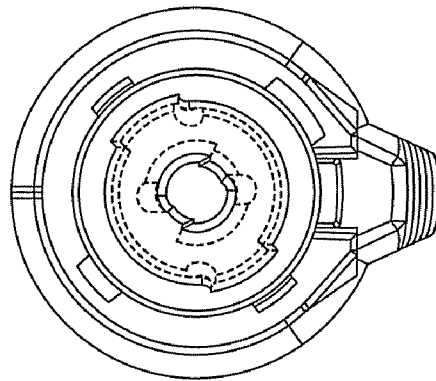


FIG. 6

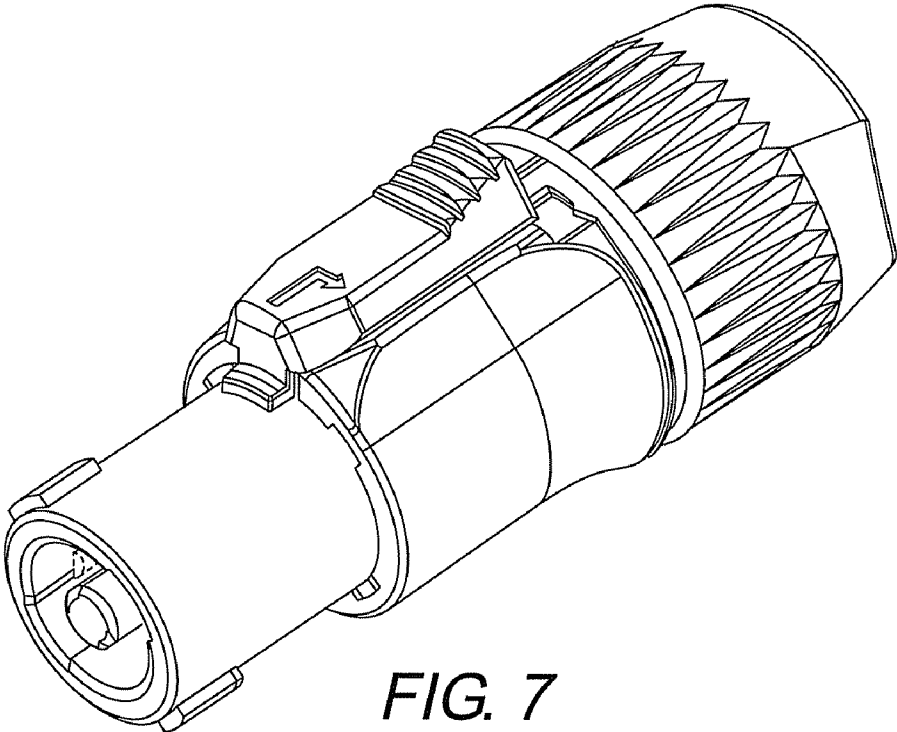


FIG. 7