

(19) World Intellectual Property Organization  
International Bureau



(43) International Publication Date  
6 October 2005 (06.10.2005)

PCT

(10) International Publication Number  
**WO 2005/092579 A1**

(51) International Patent Classification<sup>7</sup>: **B26B 19/06**

(21) International Application Number:  
PCT/IB2005/050945

(22) International Filing Date: 18 March 2005 (18.03.2005)

(25) Filing Language: English

(26) Publication Language: English

(30) Priority Data:  
04101266.7 26 March 2004 (26.03.2004) EP

(71) Applicant (for all designated States except US): **KONINKLIJKE PHILIPS ELECTRONICS N.V.** [NL/NL]; Groenewoudseweg 1, NL-5621 BA Eindhoven (NL).

(72) Inventors; and

(75) Inventors/Applicants (for US only): **PRAGT, Johan** [NL/NL]; c/o Prof. Holstlaan 6, NL-5656 AA Eindhoven (NL). **VOORHORST, Fokke, R.** [NL/NL]; c/o Prof. Holstlaan 6, NL-5656 AA Eindhoven (NL). **SPOELSTRA, Jan** [NL/NL]; c/o Prof. Holstlaan 6, NL-5656 AA

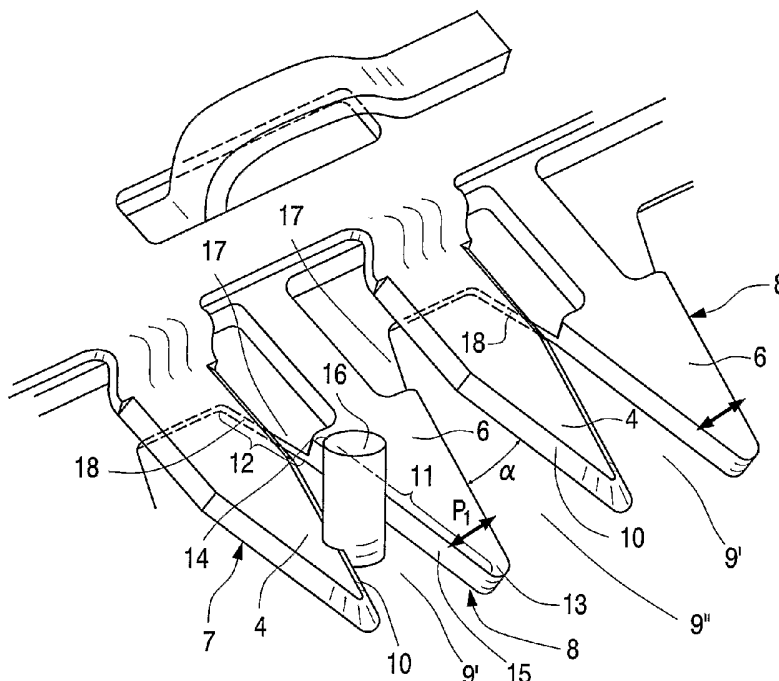
Eindhoven (NL). **BLAKE, Alastair, I.** [GB/NL]; c/o Prof. Holstlaan 6, NL-5656 AA Eindhoven (NL). **DE WIT, Bastiaan, J.** [NL/NL]; c/o Prof. Holstlaan 6, NL-5656 AA Eindhoven (NL). **ZUIDERVAART, Jasper** [NL/NL]; c/o Prof. Holstlaan 6, NL-5656 AA Eindhoven (NL). **DE LANGE, Albert, M.** [NL/NL]; c/o Prof. Holstlaan 6, NL-5656 AA Eindhoven (NL). **BOSMA, Anna, D.** [NL/NL]; c/o Prof. Holstlaan 6, NL-5656 AA Eindhoven (NL).

(74) Agents: **WOLFS, Marc, J., M.** et al.; Prof. Holstlaan 6, NL-5656 AA Eindhoven (NL).

(81) Designated States (unless otherwise indicated, for every kind of national protection available): AE, AG, AL, AM, AT, AU, AZ, BA, BB, BG, BR, BW, BY, BZ, CA, CH, CN, CO, CR, CU, CZ, DE, DK, DM, DZ, EC, EE, EG, ES, FI, GB, GD, GE, GH, GM, HR, HU, ID, IL, IN, IS, JP, KE, KG, KP, KR, KZ, LC, LK, LR, LS, LT, LU, LV, MA, MD, MG, MK, MN, MW, MX, MZ, NA, NI, NO, NZ, OM, PG, PH, PL, PT, RO, RU, SC, SD, SE, SG, SK, SL, SM, SY, TJ, TM, TN, TR, TT, TZ, UA, UG, US, UZ, VC, VN, YU, ZA, ZM, ZW.

[Continued on next page]

(54) Title: SHAVING APPARATUS



(57) Abstract: Shaving apparatus with cutting members (3, 5) which are movable relative to one another and are each provided with a row of substantially V-shaped teeth (4, 6) having edges (7, 8), a cutting opening (9', 9'') between each pair of cooperating teeth (4, 6) for catching hairs, said cutting opening having a shearing angle between 1° and 30°, wherein the cutting openings (9', 9'') are not completely closed during operation of the shaving apparatus.

WO 2005/092579 A1



(84) **Designated States** (unless otherwise indicated, for every kind of regional protection available): ARIPO (BW, GH, GM, KE, LS, MW, MZ, NA, SD, SL, SZ, TZ, UG, ZM, ZW), Eurasian (AM, AZ, BY, KG, KZ, MD, RU, TJ, TM), European (AT, BE, BG, CH, CY, CZ, DE, DK, EE, ES, FI, FR, GB, GR, HU, IE, IS, IT, LT, LU, MC, NL, PL, PT, RO, SE, SI, SK, TR), OAPI (BF, BJ, CF, CG, CI, CM, GA, GN, GQ, GW, ML, MR, NE, SN, TD, TG).

**Declaration under Rule 4.17:**

— as to applicant's entitlement to apply for and be granted a patent (Rule 4.17(ii)) for the following designations AE, AG, AL, AM, AT, AU, AZ, BA, BB, BG, BR, BW, BY, BZ, CA, CH, CN, CO, CR, CU, CZ, DE, DK, DM, DZ, EC, EE, EG, ES, FI, GB, GD, GE, GH, GM, HR, HU, ID, IL, IN, IS, JP, KE, KG, KP, KR, KZ, LC, LK, LR, LS, LT, LU, LV, MA, MD, MG, MK, MN, MW, MX, MZ, NA, NI, NO, NZ, OM,

PG, PH, PL, PT, RO, RU, SC, SD, SE, SG, SK, SL, SM, SY, TJ, TM, TN, TR, TT, TZ, UA, UG, UZ, VC, VN, YU, ZA, ZM, ZW, ARIPO patent (BW, GH, GM, KE, LS, MW, MZ, NA, SD, SL, SZ, TZ, UG, ZM, ZW), Eurasian patent (AM, AZ, BY, KG, KZ, MD, RU, TJ, TM), European patent (AT, BE, BG, CH, CY, CZ, DE, DK, EE, ES, FI, FR, GB, GR, HU, IE, IS, IT, LT, LU, MC, NL, PL, PT, RO, SE, SI, SK, TR), OAPI patent (BF, BJ, CF, CG, CI, CM, GA, GN, GQ, GW, ML, MR, NE, SN, TD, TG)

**Published:**

— with international search report

For two-letter codes and other abbreviations, refer to the "Guidance Notes on Codes and Abbreviations" appearing at the beginning of each regular issue of the PCT Gazette.

## Shaving apparatus

The invention relates to a shaving apparatus comprising two cooperating cutting members that are movable relative to each other and that are each provided with at least one edge, wherein the edges of the cutting members cooperate and wherein a cutting opening is present between the edges of the cutting members for catching hairs, said cutting opening diverging when seen in a shaving direction of the apparatus.

Such a shaving apparatus is known, for example, from US6308415. In these shaving apparatuses, also called hair clipping devices or trimmers, hairs are caught between the tooth edges of the teeth in the cutting opening or hair trapping opening and are subsequently cut off by the reciprocal movement of the cutting edges with respect to one another. The teeth of the one, usually moving cutting member here move entirely over the teeth of the other, usually stationary cutting member, i.e. the tooth edges provided with cutting edges move alongside one another so far that the cutting openings are completely closed. One moving tooth overlaps a plurality of stationary teeth during operation in most of such shaving apparatuses. Not only hairs enter the cutting openings during operation, but also skin arrives somewhat between the edges of the teeth. The skin is pushed away from the cutting opening for the major part during the movement of two mutually cooperating cutting edges towards one another thanks to the skin's elasticity. Nevertheless, these shaving apparatuses still cause skin irritation in many cases, and skin damage does arise.

It is an object of the invention to provide a shaving apparatus in which the risk of skin damage is very small, practically nil, during shaving.

This object is achieved with the shaving apparatus according to the invention, which is characterized in that the cutting openings are not entirely closed during operation of the apparatus. It was surprisingly found that skin damage is considerably less if the cutting edges of two cooperating teeth leave a small cutting opening open. Apparently the skin is not sufficiently pressed away adjacent the tips of the teeth in the known shaving apparatuses,

with the result that the cutting edges damage the skin there. This problem is counteracted by a shaving apparatus in which small cutting openings remain between the teeth at all times during operation.

It is favorable for a satisfactory cutting-through of a hair when both tooth  
5 edges are provided with cutting edges in the region where the cutting opening is closed during operation.

A further embodiment thereof is characterized in that the zone between the tip of the tooth and the cutting edge of one of the two cooperating tooth edges forms an abutment for a hair caught in the cutting opening.

10 In an alternative embodiment, it is also possible that both tooth edges are provided with cutting edges over their entire length.

Preferably, the shearing angle between the cooperating tooth edges is between 5° and 25°.

A particularly favorable embodiment is characterized in that the cutting  
15 members perform a stroke S relative to one another for which it holds that  $0.01 \text{ mm} < S < 0.15 \text{ mm}$ , with a frequency Q for which it holds that  $Q > 100 \text{ Hz}$ . Preferably, the stroke lies between 0.05 mm and 0.1 mm and the frequency between 150 Hz and 400 Hz.

The stroke is chosen such that the cutting edges cannot damage the skin during operation of the shaving apparatus on the one hand, while on the other hand a permanent  
20 damage to a hair caught between the cutting edges is effected. Tests have shown that, if the stroke is smaller than 0.15 mm, the skin moves along with the cutting member fully elastically. It was furthermore found that the stroke must be at least 0.01 mm for achieving a plastic deformation of a hair. Since the stroke is smaller than the hair thickness, the hair is not cut through until after a number of cutting movements. This is possible because the user  
25 moves the apparatus in a direction perpendicular to the stroke over the skin during shaving. The frequency of the driven cutting member must not be too small for this reason, because otherwise a painful hair pulling will occur. It was found that the frequency should be at least 100 Hz.

It is noted that US-A 2,281,434 describes a shaving apparatus in which the  
30 driven cutting member has a maximum stroke of approximately 0.020 " ( $\approx 0.5 \text{ mm}$ ) and a hair is to be cut through in one stroke. The latter means that the minimum stroke length must be 0.28 mm, because a hair has a maximum thickness of approximately 0.28 mm. It is not known from this patent document, moreover, with what frequency the driven cutting member moves.

The invention will now be explained in more detail below with reference to an embodiment shown in a drawing, in which

5 Fig. 1 shows a shaving apparatus according to the invention in perspective view,

Figs. 2a and 2b diagrammatically show a number of teeth of the cooperating cutting members in two extreme positions of the cutting members relative to one another,

10 Figs. 3a-f diagrammatically show the severing of a hair in a number of consecutive phases,

Figs. 4a, 4b, and 4c are cross-sectional views taken on the lines IVa-IVa, IVb-IVb, and IVc-IVc in Figs. 3b, 3d, and 3f, respectively, and

Figs. 5a and 5b show the situations of Figs. 3b and 3e, respectively, in perspective view.

15

The shaving apparatus shown in Fig. 1 comprises a housing 1 with a shaving head 2. The shaving head has a stationary cutting member 3 comprising a row of substantially V-shaped teeth 4, and a movable, driven cutting member 5, also with a row of substantially V-shaped teeth 6.

20 Figs. 2a and 2b show a number of teeth of cooperating cutting members 3 and 5 in two situations. The driven cutting member is shown hatched in these Figures. Fig. 2a shows the situation in which the driven cutting member 5 is in its one extreme position, the left-hand position in the Figure, and Fig. 2b shows it in its other extreme position, the right-hand position in the Figure. The driven cutting member 5 performs a reciprocating movement with respect to the stationary cutting member, indicated with the double arrow  $P_1$ , with a stroke length  $S$ . The teeth 4 of the stationary cutting member 3 have sloping tooth edges 7, and the teeth 6 of the driven cutting member 5 have sloping tooth edges 8. A hair trapping opening or cutting opening  $9'$ ,  $9''$  is present between the tooth edges 7 and 8 of each pair of mutually cooperating teeth. The angle  $\alpha$  between the tooth edges 7 and 8, also denoted shearing angle, lies between  $5^\circ$  and  $25^\circ$ ; it was chosen to be  $20^\circ$  in this example. The cutting opening is never completely closed during the reciprocating movement. In the one extreme position, a small cutting opening  $9'$  is present between the two cooperating tooth edges 7 and

8, while a larger cutting opening 9'' is present between the same cooperating tooth edges in the other extreme position.

Figs. 3a-f show the severing of a hair in a number of consecutive phases. The stroke S is approximately 0.08 mm, and the frequency Q of the reciprocating cutting member 6 is approximately 250 Hz. The figures show the same pair of mutually cooperating teeth each time. Figs. 3a, 3c, and 3e each show two cooperating teeth for which the cutting opening 9'' is a maximum during operation in the one extreme position, whereas Figs. 3b, 3d, and 3f show the other extreme position, in which the cutting opening 9' is a minimum. The cutting opening thus is never closed during the reciprocating movement, but always remains open.

The tooth edges 7 of the stationary teeth 4 are provided with sloping cutting edges 10 (see also Figs. 4a,b,c, and 5a,b). The tooth edges 8 of the driven teeth 6 each have two zones 11 and 12. The first zone 11 extends from the tip 13 of the tooth 6 up to the point 14 where the tooth edges 7 and 8 start overlapping in that position in which the cutting opening 9' is smallest (see Figs. 3a,b and 5a). The tooth edge in this zone 12 is a wall portion 15 having a thickness equal to the thickness of the tooth 6 and is directed perpendicularly to the plane of the drawing. The wall portion 15 constitutes an abutment for a hair 16 trapped in the cutting opening. The second zone 12 extends from said point 14 towards the base of the tooth in a region 17 where the tooth edges 7 and 8 overlap. The thickness of the portion 17 of the tooth 6 where the cooperating teeth overlap is much smaller than the rest of the tooth. This is clearly visible in Figs. 5a and 5b. The tooth edge 7 at the zone 14 is comparatively thin and forms a counter-cutting edge 18 for the cutting edge 10 of the stationary tooth 4.

Severing of a hair takes place as follows: in Fig. 3a, a hair 16 is caught in the cutting opening between the tooth edges of two teeth. It is assumed for simplicity's sake that the cutting opening 9'' is greatest in this situation. The tooth 6 subsequently moves to the right, and the wall portion 15 of the tooth edge 8 presses the hair to the right against the cutting edge 10 of the stationary tooth 4 such that the cutting edge penetrates the hair over a certain distance and provides a notch therein (see Figs. 3b and 4a). This situation corresponds to that of Fig. 5a. The wall portion 15 may accordingly be regarded as a kind of abutment for the hair. In Fig. 3c, the tooth 6 has been moved to the left again. Since a user also moves the apparatus over the skin in a direction P<sub>2</sub>, perpendicularly to the reciprocating movement P<sub>1</sub> of the teeth, during shaving, the hair 16 will slide more deeply into the cutting opening 9'', while the cutting edge 10 remains in the notch already provided in the hair. This is why the teeth are drawn slightly higher in the plane of the drawing in Figs. 3c and 3d than in Figs. 3a and 3b. In Figs. 3d and Fig. 4b, the tooth 6 has been moved to the right again, and the cutting

edge 10 has penetrated into the hair still further. The tooth 6 has been moved to the left and upwards again in Fig. 3e. The hair is now at the level of the counter-cutting edge 18 of the tooth edge 8. This situation corresponds to that of Fig. 5b. The tooth 6 moves to the right again after this (Figs. 3f and 4c), and the hair is completely cut through. For a complete  
5 severing of a hair in the final phase, it is better that both tooth edges should be provided with cutting edges. The often unpleasant hair pulling during shaving is avoided thereby. It is obviously also possible, however, to provide the entire tooth edge 8 of the moving tooth 6 with a counter-cutting edge instead of dividing it into two zones as described above.

It will be obvious that the number of phases in which a hair is cut through is  
10 dependent on the stroke S and the cutting frequency Q.

In the example described above, the one cutting member is stationary and the other cutting member moves. It is alternatively possible to have both cutting members perform a reciprocating movement.

The drive of a cutting member may be effected, for example, by means of a  
15 piezoelectric element plus a stroke amplifier.

In a preferred embodiment, not shown in the figures, the shaving apparatus comprises at least two pairs of cooperating cutting members that are movable relative to each other and that are each provided with at least one edge, wherein the edges of each pair of cooperating cutting members cooperate and wherein a cutting opening is present between the  
20 edges of each pair of cooperating cutting members for catching hairs, said cutting openings diverging when seen in the shaving direction and not being entirely closed during operation of the apparatus, wherein the two pairs are successively arranged when seen in the shaving direction, and wherein the diverging cutting openings of at least the pair of cooperating cutting members, that is arranged in front when seen in the shaving direction, are obliquely  
25 arranged relative to the skin surface during operation. In this embodiment each pair of cooperating cutting members may for example be of a type as shown the figures 2a-2b, 3a-3f, or 5a-5b. The pair of cooperating cutting members, that is arranged in front when seen in the shaving direction, is arranged in an inclined position with respect to the skin surface when the apparatus is placed on the skin surface. In other words, when for example the embodiment of  
30 figures 2a-2b is used, the teeth 4 do not lie flat on the skin surface, but enclose an angle with the skin surface so that only the tips of the teeth 4 contact the skin surface. As a result, also the diverging cutting openings 9', 9'' of the front pair of cooperating cutting members are obliquely arranged relative to the skin surface. The result is that when the hairs are progressively caught between the edges (7, 8) of the teeth 4 and the apparatus is moved

further in the shaving direction, simultaneously the caught hairs will be partially pulled out of the skin. Subsequently, these hairs will be caught by the pair of cooperating cutting members that follows the front pair of cooperating cutting members. As these hairs are already partially pulled out of the skin, the hairs will be caught and eventually cut by the

5 second pair of cooperating cutting members at positions that were initially below skin surface level, so that the result is an improved smoothness of the skin which will remain for a longer time. It is noted that the second pair of cooperating cutting members may also be arranged obliquely with respect to the skin surface, but this is not necessary. Furthermore, more than

10 two pairs of cooperating cutting members may be arranged behind each other to further improve or optimize the smoothness.



## CLAIMS:

1. A shaving apparatus comprising two cooperating cutting members (3, 5) that are movable relative to each other and that are each provided with at least one edge (7, 8), wherein the edges of the cutting members cooperate and wherein a cutting opening (9', 9'') is present between the edges of the cutting members for catching hairs (16), said cutting  
5 opening diverging when seen in a shaving direction (P<sub>2</sub>) of the apparatus, characterized in that the cutting openings are not entirely closed during operation of the apparatus.
2. A shaving apparatus as claimed in claim 1, characterized in that each cutting member (3, 5) comprises a row of substantially V-shaped teeth (4, 6) with tooth edges (7, 8)  
10 defining pairs of cooperating tooth edges, wherein each pair of cooperating tooth edges enclose a shearing angle ( $\alpha$ ), while at least one of the tooth edges of each pair of cooperating tooth edges (7, 8) is provided with a cutting edge (10).
3. A shaving apparatus as claimed in claim 2, characterized in that both tooth  
15 edges (7, 8) are provided with cutting edges (10, 18) in the region where the cutting opening (9', 9'') is closed during operation.
4. A shaving apparatus as claimed in claim 3, characterized in that one of the two  
20 cooperating tooth edges (8) in the zone (11) between the tip (13) of the tooth (6) and the cutting edge (18) forms an abutment (15) for a hair (16) caught in the cutting opening (9', 9'').
5. A shaving apparatus as claimed in claim 2, characterized in that both tooth  
25 edges (7, 8) are provided with cutting edges over their entire length.
6. A shaving apparatus as claimed in any one of the claims 2 to 5, characterized in that the shearing angle ( $\alpha$ ) between the cooperating tooth edges (7, 8) is between 5° and 25°.

7. A shaving apparatus as claimed in any one of the claims 2 to 6, characterized in that the cutting members (3, 5) perform a reciprocating motion with a stroke S relative to one another for which it holds that  $0.01 \text{ mm} < S < 0.15 \text{ mm}$ , with a frequency Q for which it holds that  $Q > 100 \text{ Hz}$ .

5

8. A shaving apparatus as claimed in claim 7, characterized in that the stroke S lies between 0.05 mm and 0.1 mm and the frequency Q between 150 Hz and 400 Hz.

9. A shaving apparatus as claimed in claim 1, characterized in that the apparatus  
10 comprises at least two pairs of cooperating cutting members that are movable relative to each other and that are each provided with at least one edge, wherein the edges of each pair of cooperating cutting members cooperate and wherein a cutting opening is present between the edges of each pair of cooperating cutting members for catching hairs, said cutting openings diverging when seen in the shaving direction and not being entirely closed during operation  
15 of the apparatus, wherein the two pairs are successively arranged when seen in the shaving direction, and wherein the diverging cutting openings of at least the pair of cooperating cutting members, that is arranged in front when seen in the shaving direction, are obliquely arranged relative to the skin surface during operation.

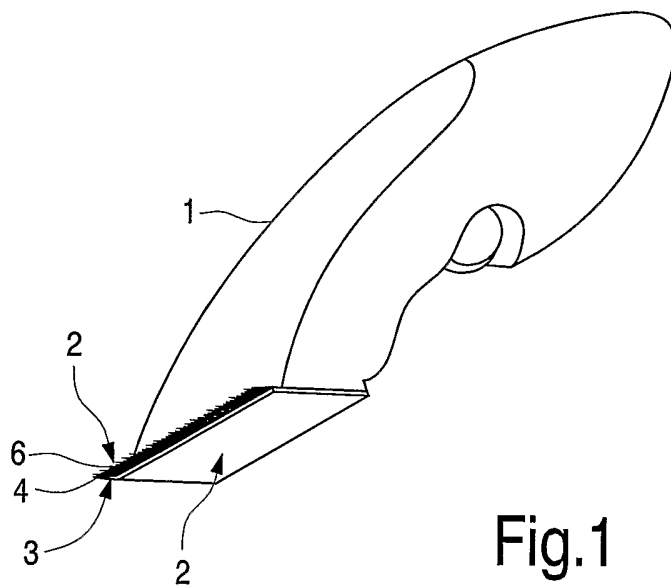


Fig.1

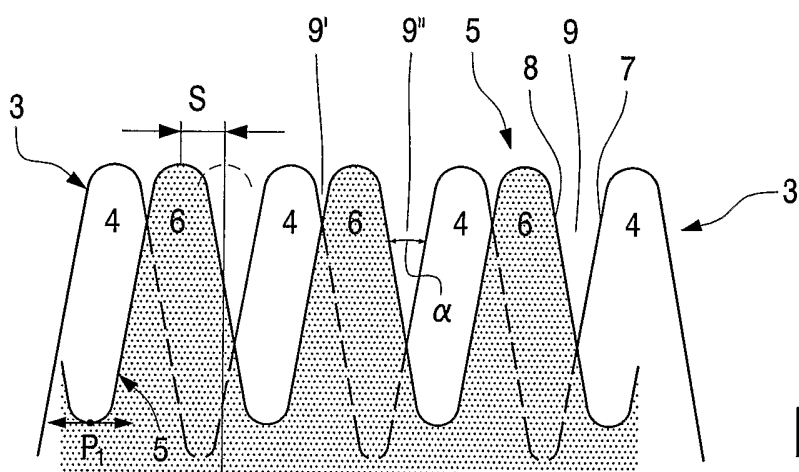


Fig.2a

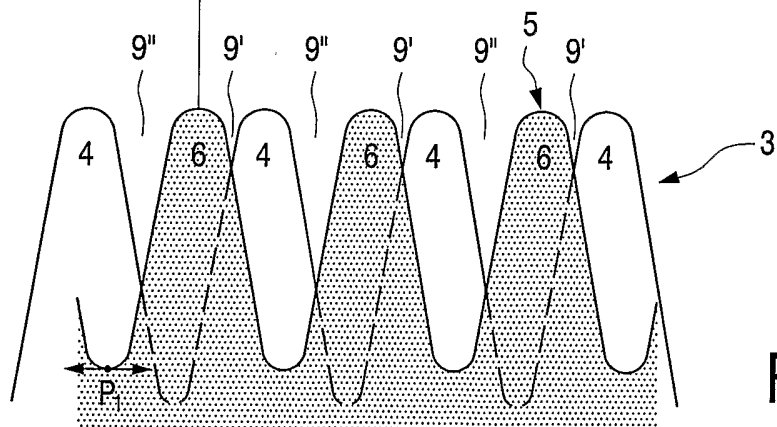


Fig.2b

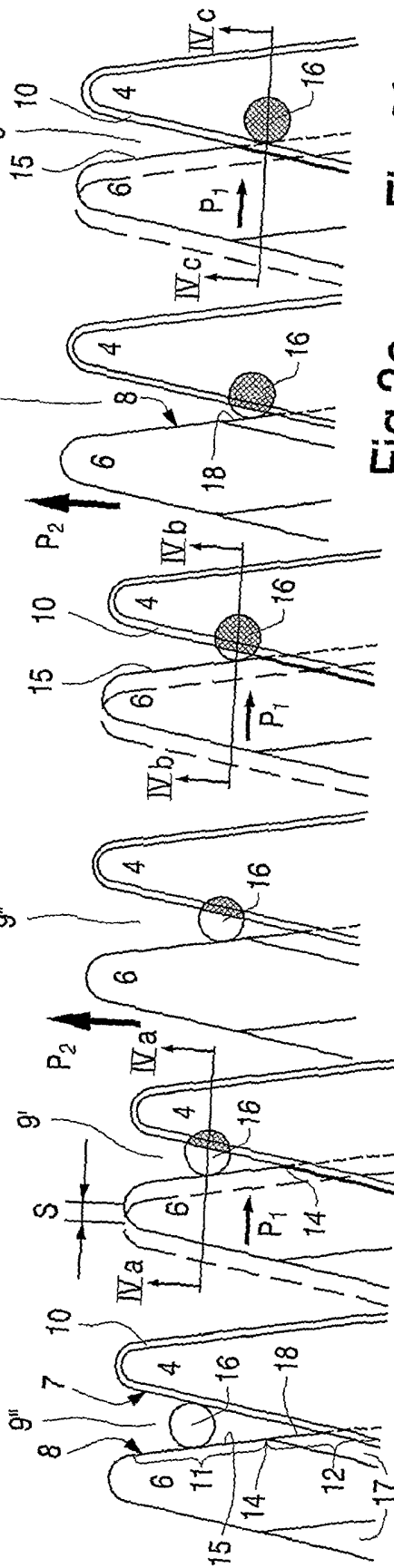


Fig.3a

Fig.3b

Fig.3c

Fig.3d

Fig.3e

Fig.3f

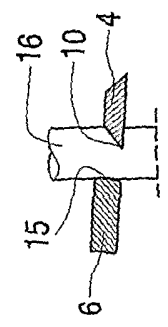


Fig.4a

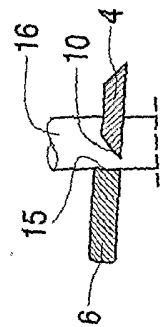


Fig.4b

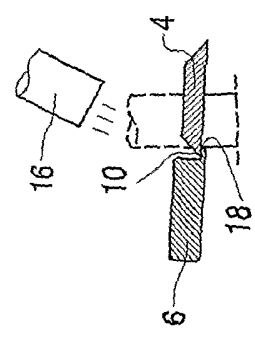
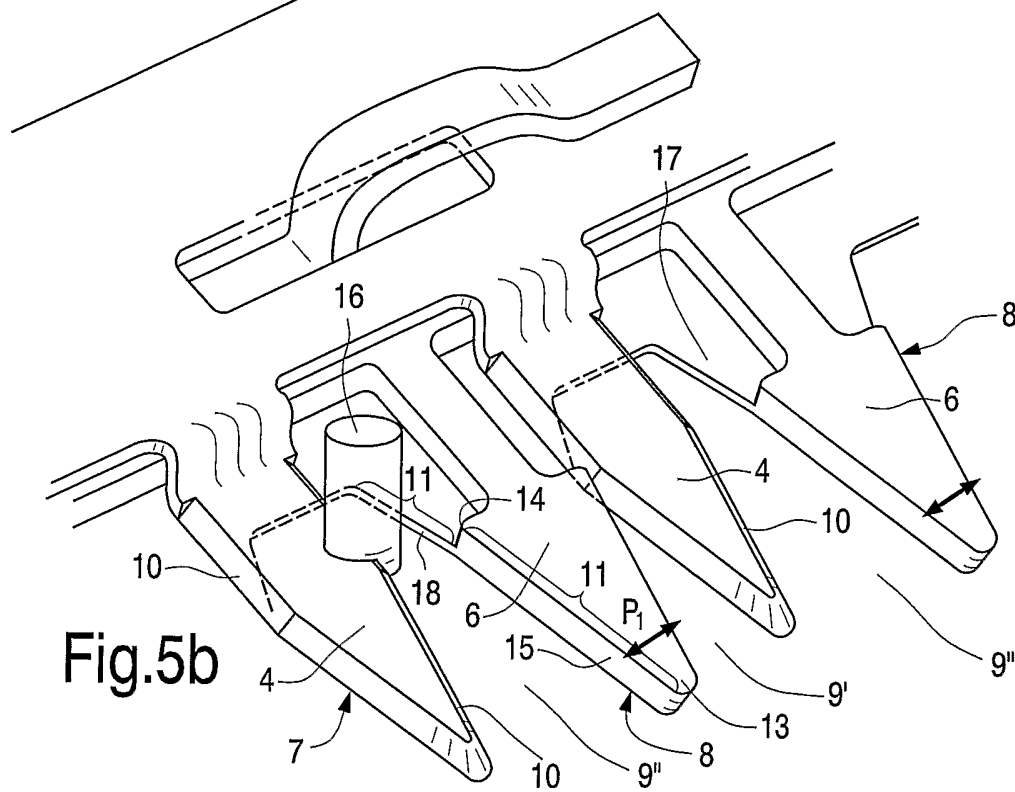
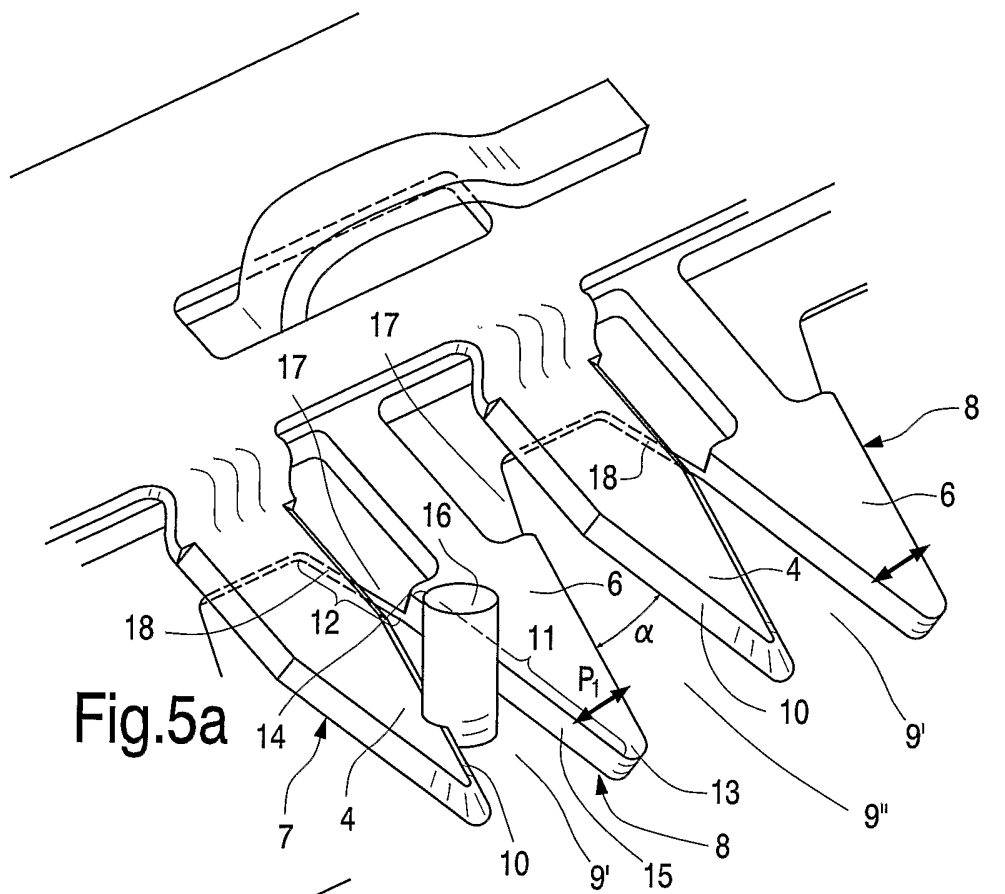


Fig.4c



## INTERNATIONAL SEARCH REPORT

International Application No  
PCT/IB2005/050945

A. CLASSIFICATION OF SUBJECT MATTER  
IPC 7 B26B19/06

According to International Patent Classification (IPC) or to both national classification and IPC

## B. FIELDS SEARCHED

Minimum documentation searched (classification system followed by classification symbols)  
IPC 7 B26B

Documentation searched other than minimum documentation to the extent that such documents are included in the fields searched

Electronic data base consulted during the international search (name of data base and, where practical, search terms used)

EPO-Internal

## C. DOCUMENTS CONSIDERED TO BE RELEVANT

Category °	Citation of document, with indication, where appropriate, of the relevant passages	Relevant to claim No.
X	US 3 711 948 A (NADHERNY R,US ET AL) 23 January 1973 (1973-01-23) column 3, lines 13-31; figures 3,4	1-3,5,6
A	US 4 221 049 A (HAMASHIMA ET AL) 9 September 1980 (1980-09-09) column 2, lines 38-50; figures 3,5	1
A	US 4 152 830 A (MEIJER ET AL) 8 May 1979 (1979-05-08) abstract; figures 2-4	1

Further documents are listed in the continuation of box C.

Patent family members are listed in annex.

° Special categories of cited documents:

- \*A\* document defining the general state of the art which is not considered to be of particular relevance
- \*E\* earlier document but published on or after the international filing date
- \*L\* document which may throw doubts on priority claim(s) or which is cited to establish the publication date of another citation or other special reason (as specified)
- \*O\* document referring to an oral disclosure, use, exhibition or other means
- \*P\* document published prior to the international filing date but later than the priority date claimed

- \*T\* later document published after the international filing date or priority date and not in conflict with the application but cited to understand the principle or theory underlying the invention
- \*X\* document of particular relevance; the claimed invention cannot be considered novel or cannot be considered to involve an inventive step when the document is taken alone
- \*Y\* document of particular relevance; the claimed invention cannot be considered to involve an inventive step when the document is combined with one or more other such documents, such combination being obvious to a person skilled in the art.
- \* & \* document member of the same patent family

Date of the actual completion of the international search

7 June 2005

Date of mailing of the international search report

14/06/2005

Name and mailing address of the ISA

European Patent Office, P.B. 5818 Patentlaan 2  
NL - 2280 HV Rijswijk  
Tel. (+31-70) 340-2040, Tx. 31 651 epo nl,  
Fax: (+31-70) 340-3016

Authorized officer

Rattenberger, B

## INTERNATIONAL SEARCH REPORT

 In International Application No  
 PCT/IB2005/050945

Patent document cited in search report		Publication date	Patent family member(s)	Publication date
US 3711948	A	23-01-1973	NONE	
US 4221049	A	09-09-1980	JP 54027853 A DE 2832790 A1 FR 2398584 A1 GB 2001571 A , B	02-03-1979 15-02-1979 23-02-1979 07-02-1979
US 4152830	A	08-05-1979	NL 7700504 A AT 361804 B AT 28778 A CA 1077696 A1 CH 625992 A5 DE 2800568 A1 FR 2377873 A1 GB 1552752 A JP 53091857 A	21-07-1978 10-04-1981 15-08-1980 20-05-1980 30-10-1981 20-07-1978 18-08-1978 19-09-1979 12-08-1978