



US00D993256S

(12) **United States Design Patent**
Jun

(10) **Patent No.:** **US D993,256 S**

(45) **Date of Patent:** **** Jul. 25, 2023**

(54) **USB (UNIVERSAL SERIAL BUS) MEMORY DEVICE**

(71) Applicant: **SAMSUNG ELECTRONICS CO., LTD.**, Suwon-si (KR)

(72) Inventor: **Gye-Jin Jun**, Suwon-si (KR)

(73) Assignee: **SAMSUNG ELECTRONICS CO., LTD.**, Suwon-si (KR)

(**) Term: **15 Years**

(21) Appl. No.: **29/868,044**

(22) Filed: **Nov. 17, 2022**

Related U.S. Application Data

(63) Continuation of application No. 29/756,963, filed on Nov. 2, 2020, now Pat. No. Des. 976,917.

(30) **Foreign Application Priority Data**

May 15, 2020 (KR) 30-2020-0021261

(51) **LOC (14) Cl.** **14-03**

(52) **U.S. Cl.**

USPC **D14/480.5**

(58) **Field of Classification Search**

USPC D14/480.1–480.7, 435.1, 411, 433, 436, D14/484.1, 137, 155, 203.1–203.8, 240, D14/242; D13/133, 154

See application file for complete search history.

(56) **References Cited**

U.S. PATENT DOCUMENTS

D492,307 S 6/2004 Aqqad et al.
D561,184 S 2/2008 Kozenitzky et al.
D583,374 S 12/2008 Otsuka
D583,816 S 12/2008 Guccione et al.

D624,085 S * 9/2010 Gilbert D14/242
D625,730 S 10/2010 Cacioppo et al.
D631,053 S 1/2011 Bailey
D631,884 S * 2/2011 Klein D14/435.1
D648,730 S * 11/2011 Huang D14/480.5
D711,891 S 8/2014 Emami et al.
D723,566 S * 3/2015 Ferguson D14/435.1
D727,015 S 4/2015 Arrindell
D798,877 S * 10/2017 Huang D14/480.1
D799,497 S * 10/2017 Piron D14/480.1
D831,669 S 10/2018 Shim
D839,877 S 2/2019 Osuki
D862,482 S * 10/2019 Shim D14/480.1
D862,485 S * 10/2019 Shim D14/480.1
D864,975 S * 10/2019 Shim D14/480.1

(Continued)

Primary Examiner — Angela J Lee

(74) *Attorney, Agent, or Firm* — Sughrue Mion, PLLC

(57) **CLAIM**

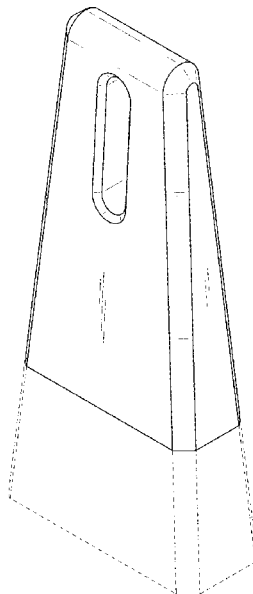
The ornamental design for a USB (Universal Serial Bus) memory device, as shown and described.

DESCRIPTION

FIG. 1 is a front perspective view of a USB (Universal Serial Bus) memory device;
FIG. 2 is a front view thereof;
FIG. 3 is a rear view thereof;
FIG. 4 is a left-side view thereof;
FIG. 5 is a right-side view thereof;
FIG. 6 is a top plan view thereof;
FIG. 7 is a bottom plan view thereof;
FIG. 8 is a front-top exploded view thereof; and,
FIG. 9 is a front-bottom exploded view thereof.

The evenly dashed broken lines in the figures depict features of the USB (Universal Serial Bus) memory device and environmental subject matter that form no part of the claimed design.

1 Claim, 9 Drawing Sheets



(56)

References Cited

U.S. PATENT DOCUMENTS

D864,976	S	*	10/2019	Shim	D14/480.1
D908,710	S	*	1/2021	Zhou	D14/480.1
D975,718	S	*	1/2023	Shim	D14/480.1
D976,917	S	*	1/2023	Jun	D14/480.5

* cited by examiner

FIG. 1

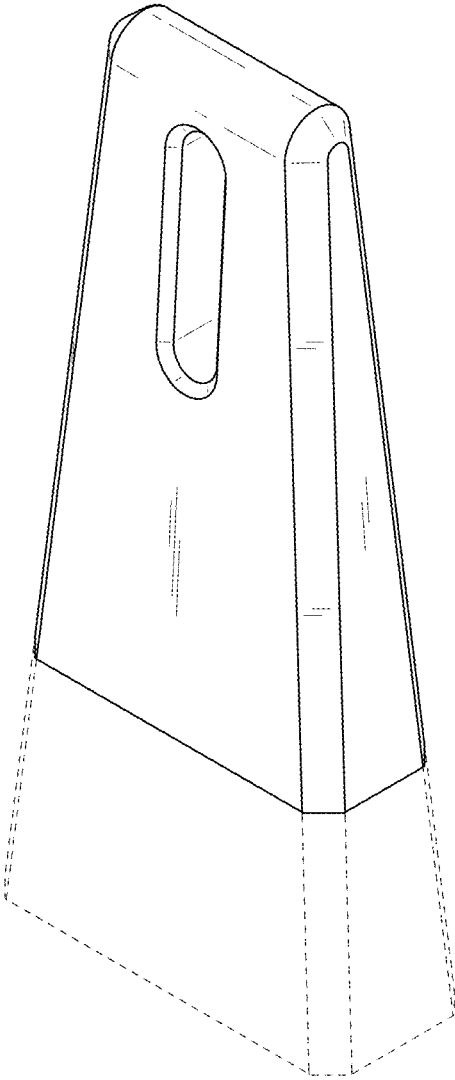


FIG. 2

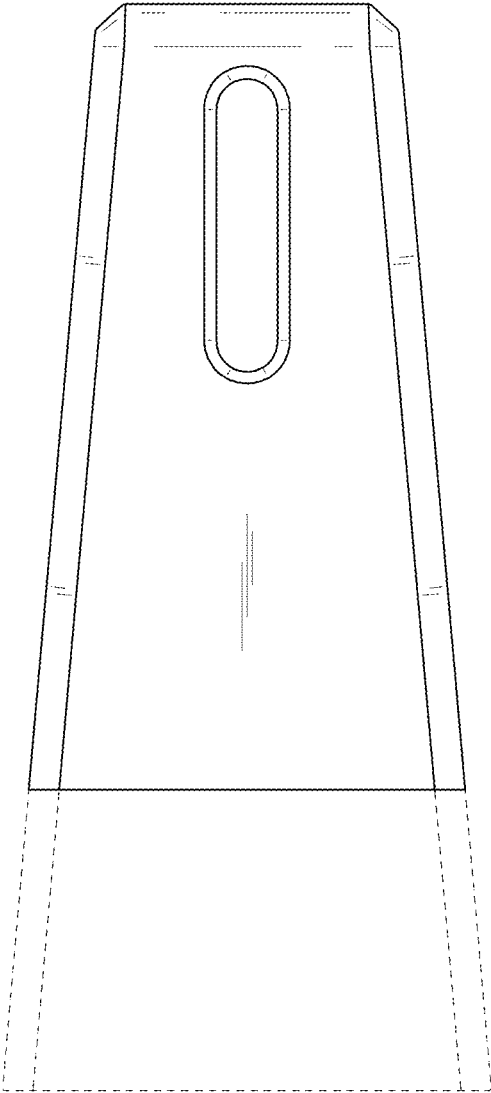


FIG. 3

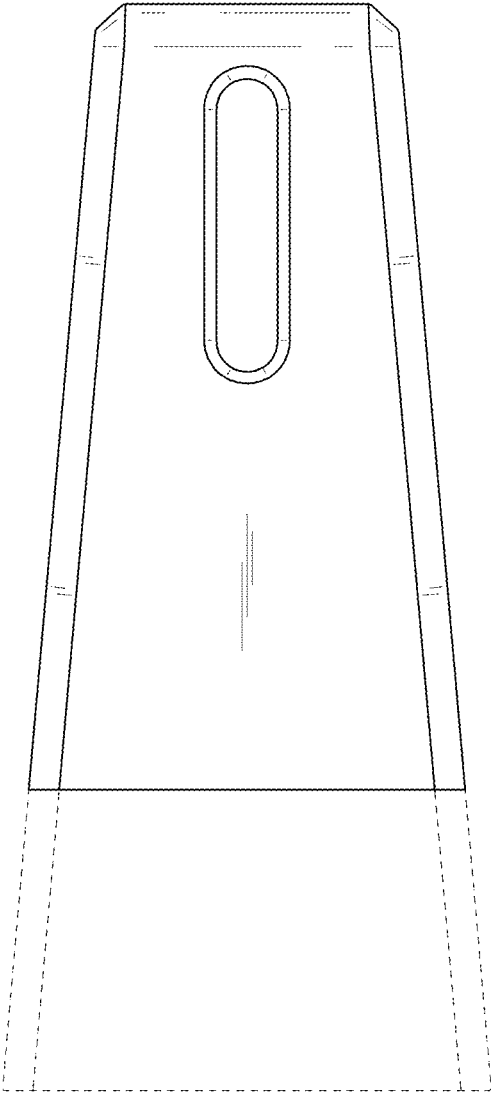


FIG. 4

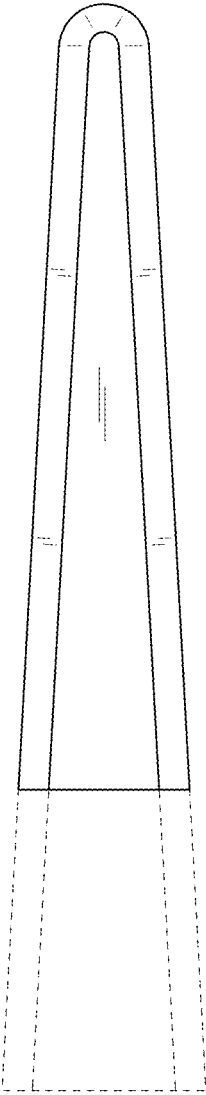


FIG. 5

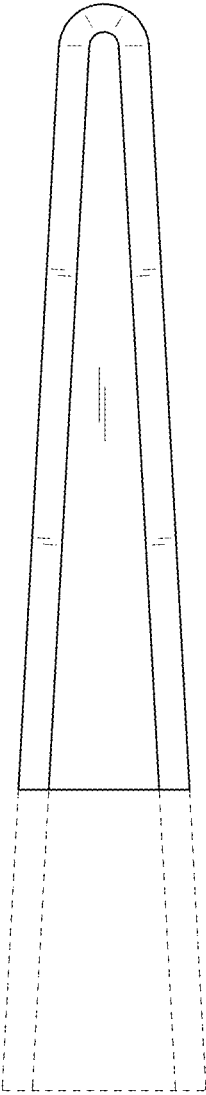


FIG. 6

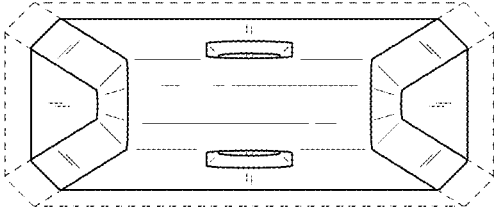


FIG. 7

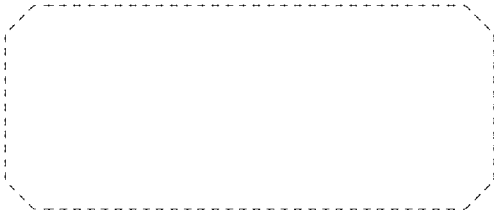


FIG. 8

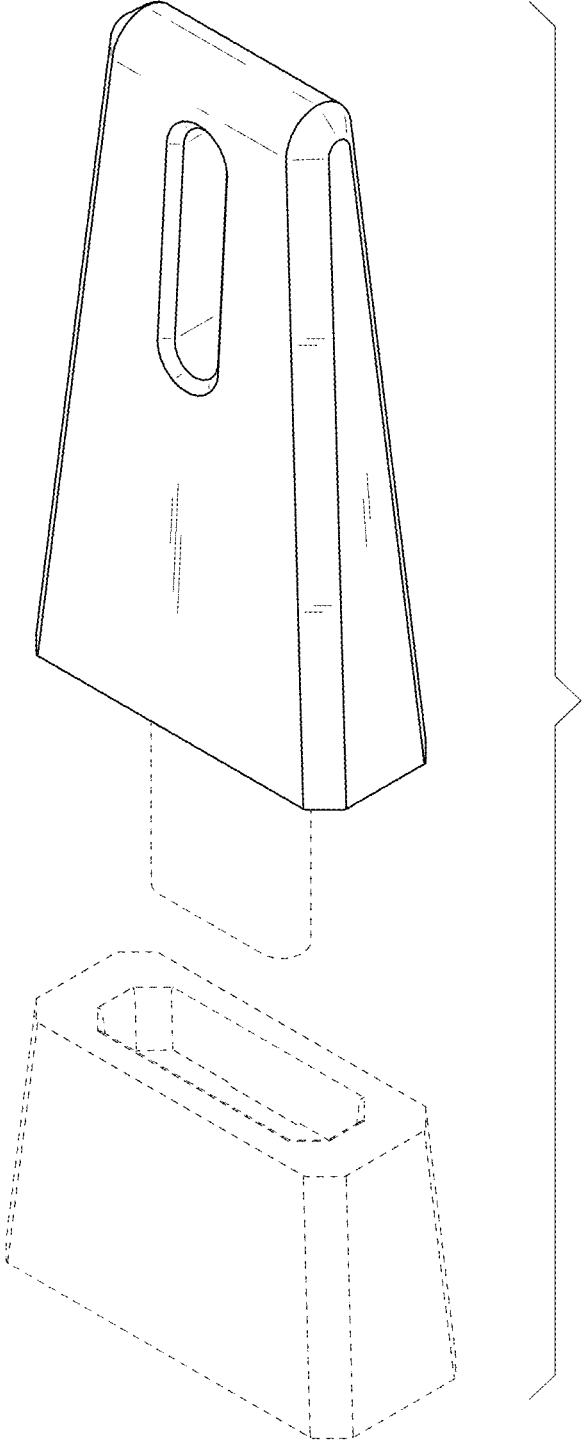


FIG. 9

