

(19) World Intellectual Property Organization
International Bureau



(43) International Publication Date
18 September 2008 (18.09.2008)

PCT

(10) International Publication Number
WO 2008/112343 A3

(51) International Patent Classification:
F01N 7/08 (2006.01)

(21) International Application Number:
PCT/US2008/051851

(22) International Filing Date: 24 January 2008 (24.01.2008)

(25) Filing Language: English

(26) Publication Language: English

(30) Priority Data:
11/684,118 9 March 2007 (09.03.2007) US

(71) Applicant (for all designated States except US): CUMMINS FILTRATION IP, INC. [US/US]; 1400-73rd Avenue Ne, Minneapolis, MN 55432 (US).

(72) Inventors; and

(75) Inventors/Applicants (for US only): SEDLACEK, Jeffrey, T. [US/US]; 535 Nottingham Road, Stoughton, WI 53589 (US). WARNER, Jay, V. [US/US]; 333 Oak Street, Stoughton, WI 53589 (US).

(74) Agents: TAKEN, Michael, E. et al.; Andrus, Scealess, Starke & Sawall, LLP, 100 East Wisconsin Avenue, Suite 1100, Milwaukee, WI 53202-4178 (US).

(81) Designated States (unless otherwise indicated, for every kind of national protection available): AE, AG, AL, AM, AO, AT, AU, AZ, BA, BB, BG, BH, BR, BW, BY, BZ, CA, CH, CN, CO, CR, CU, CZ, DE, DK, DM, DO, DZ, EC, EE, EG, ES, FI, GB, GD, GE, GH, GM, GT, HN, HR, HU, ID, IL, IN, IS, JP, KE, KG, KM, KN, KP, KR, KZ, LA, LC, LK, LR, LS, LT, LU, LY, MA, MD, ME, MG, MK, MN, MW, MX, MY, MZ, NA, NG, NI, NO, NZ, OM, PG, PH, PL, PT, RO, RS, RU, SC, SD, SE, SG, SK, SL, SM, SV, SY, TJ, TM, TN, TR, TT, TZ, UA, UG, US, UZ, VC, VN, ZA, ZM, ZW.

(84) Designated States (unless otherwise indicated, for every kind of regional protection available): ARIPO (BW, GH, GM, KE, LS, MW, MZ, NA, SD, SL, SZ, TZ, UG, ZM, ZW), Eurasian (AM, AZ, BY, KG, KZ, MD, RU, TJ, TM), European (AT, BE, BG, CH, CY, CZ, DE, DK, EE, ES, FI, FR, GB, GR, HR, HU, IE, IS, IT, LT, LU, LV, MC, MT, NL, NO, PL, PT, RO, SE, SI, SK, TR), OAPI (BF, BJ, CF, CG, CI, CM, GA, GN, GQ, GW, ML, MR, NE, SN, TD, TG).

Published:

- with international search report
- before the expiration of the time limit for amending the claims and to be republished in the event of receipt of amendments

(88) Date of publication of the international search report:
15 January 2009

(54) Title: EXHAUST AFTERTREATMENT SYSTEM WITH FLOW DISTRIBUTION

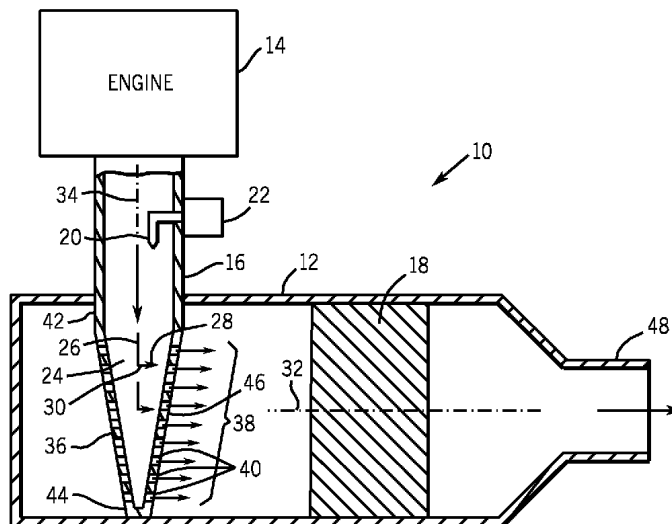


FIG. 1

(57) Abstract: An exhaust aftertreatment system has a side inlet flow diffuser and provides even flow exhaust distribution to an aftertreatment element.

WO 2008/112343 A3

INTERNATIONAL SEARCH REPORT

International application No.

PCT/US2008/051851

A. CLASSIFICATION OF SUBJECT MATTER

IPC(8) - F01N 7/08 (2008.04)

USPC - 60/324

According to International Patent Classification (IPC) or to both national classification and IPC

B. FIELDS SEARCHED

Minimum documentation searched (classification system followed by classification symbols)

IPC(8) - F01N 7/08 (2008.04)

USPC - 60/324,272,286,295; 422/176

Documentation searched other than minimum documentation to the extent that such documents are included in the fields searched

Electronic data base consulted during the international search (name of data base and, where practicable, search terms used)

PatBASE

C. DOCUMENTS CONSIDERED TO BE RELEVANT

Category*	Citation of document, with indication, where appropriate, of the relevant passages	Relevant to claim No.
X	US 4,209,493 A,X6 (OLSON) 24 June 1980 (06.24.1980) entire document	1,2,7,12
---		-----
Y		3-6, 8-11, and 13-19
Y	US 2003/0079467 A1 (LIU et al) 01 May 2003 (05.01.2003) entire document	3-6, 8-11, and 13-19
A	US 4,011,922 A,X6 (GOPLIN) 15 March 1977 (03.15.1977) entire document	1-19
A	US 5,426,269 A (WAGNER et al) 20 June 1995 (06.20.1995) entire document	1-19
A	US 6,712,869 B2 (CHENG et al) 30 March 2004 (03.30.2004) entire document	1-19
A	WO 1996/012877 A1 (SANDEFUR et al) 02 May 1996 (05.02.1996) entire document	1-19
A	JP 1993/288047 A (NAKACHI et al) 02 November 1993 (11.02.1993) entire document	1-19

 Further documents are listed in the continuation of Box C.


* Special categories of cited documents:

"A" document defining the general state of the art which is not considered to be of particular relevance

"E" earlier application or patent but published on or after the international filing date

"L" document which may throw doubts on priority claim(s) or which is cited to establish the publication date of another citation or other special reason (as specified)

"O" document referring to an oral disclosure, use, exhibition or other means

"P" document published prior to the international filing date but later than the priority date claimed

"T" later document published after the international filing date or priority date and not in conflict with the application but cited to understand the principle or theory underlying the invention

"X" document of particular relevance; the claimed invention cannot be considered novel or cannot be considered to involve an inventive step when the document is taken alone

"Y" document of particular relevance; the claimed invention cannot be considered to involve an inventive step when the document is combined with one or more other such documents, such combination being obvious to a person skilled in the art

"&" document member of the same patent family

Date of the actual completion of the international search

27 October 2008

Date of mailing of the international search report

10 NOV 2008

Name and mailing address of the ISA/US

Mail Stop PCT, Attn: ISA/US, Commissioner for Patents
P.O. Box 1450, Alexandria, Virginia 22313-1450
Facsimile No. 571-273-3201

Authorized officer:

Blaine R. Copenheaver

PCT Helpdesk: 571-272-4300
PCT OSP: 571-272-7774