



US00D726469S

(12) **United States Design Patent**  
**Dix**

(10) **Patent No.:** **US D726,469 S**

(45) **Date of Patent:** **\*\* Apr. 14, 2015**

(54) **ARMREST**

(71) Applicant: **Southern Motion, Inc.**, Pontotoc, MS (US)

(72) Inventor: **George K Dix**, Pontotoc, MS (US)

(73) Assignee: **Southern Motion, Inc.**, Pontotoc, MS (US)

(\*\*) Term: **14 Years**

(21) Appl. No.: **29/506,785**

(22) Filed: **Oct. 20, 2014**

**Related U.S. Application Data**

(63) Continuation of application No. 29/465,548, filed on Aug. 29, 2013, now Pat. No. Des. 716,564.

(51) **LOC (10) Cl.** ..... **06-01**

(52) **U.S. Cl.**  
USPC ..... **D6/716.2**

(58) **Field of Classification Search**  
USPC ..... D6/334, 335, 336, 379, 381, 369, 716,  
D6/716.2; 297/94, 118, 232, 445.1, 448.1,  
297/DIG. 7

See application file for complete search history.

(56) **References Cited**

U.S. PATENT DOCUMENTS

D373,911 S	9/1996	Paus	
D432,336 S	10/2000	Gibson	
D593,766 S	6/2009	Natuzzi	
D636,757 S	4/2011	Yoshiizumi	
D720,151 S *	12/2014	Sonmez	..... D6/381

\* cited by examiner

*Primary Examiner* — Sandra Snapp

(74) *Attorney, Agent, or Firm* — Thomas G. Peterson;  
Bradley Arant Boult Cummings LLP

(57) **CLAIM**

The ornamental design for an armrest, as shown and described.

**DESCRIPTION**

FIG. 1 shows a front view of the armrest in accordance with the new design.

FIG. 2 shows a rear view of the embodiment of the armrest shown in FIG. 1.

FIG. 3 shows an elevated side view of the embodiment of the armrest shown in FIG. 1.

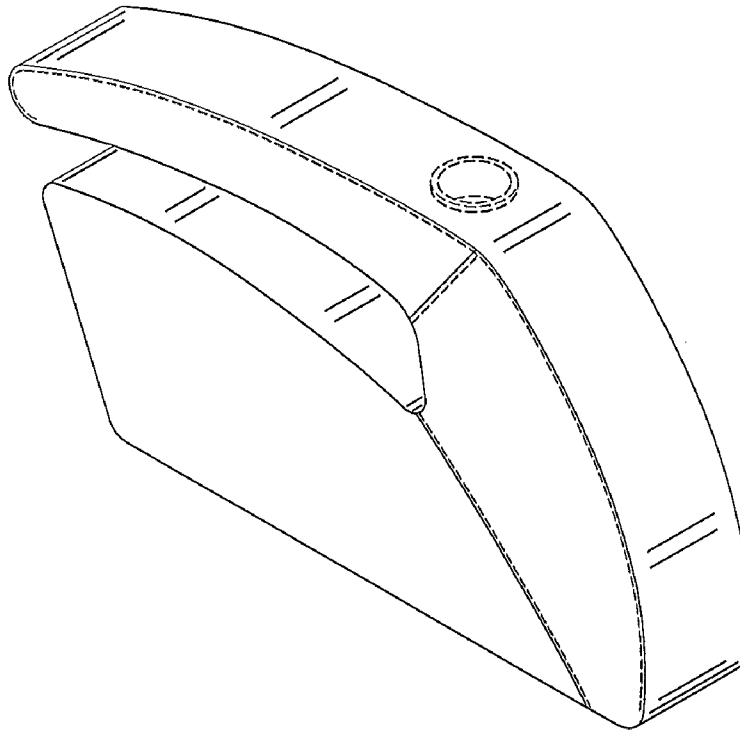
FIG. 4 shows an alternate elevated side view of the embodiment of the armrest shown in FIG. 1.

FIG. 5 shows a perspective view of the embodiment of the armrest shown in FIG. 1; and,

FIG. 6 shows a side view the embodiment of the armrest shown in FIG. 1.

The dashed lines shown in the drawings illustrate environmental structure and form no part of the claimed design.

**1 Claim, 5 Drawing Sheets**



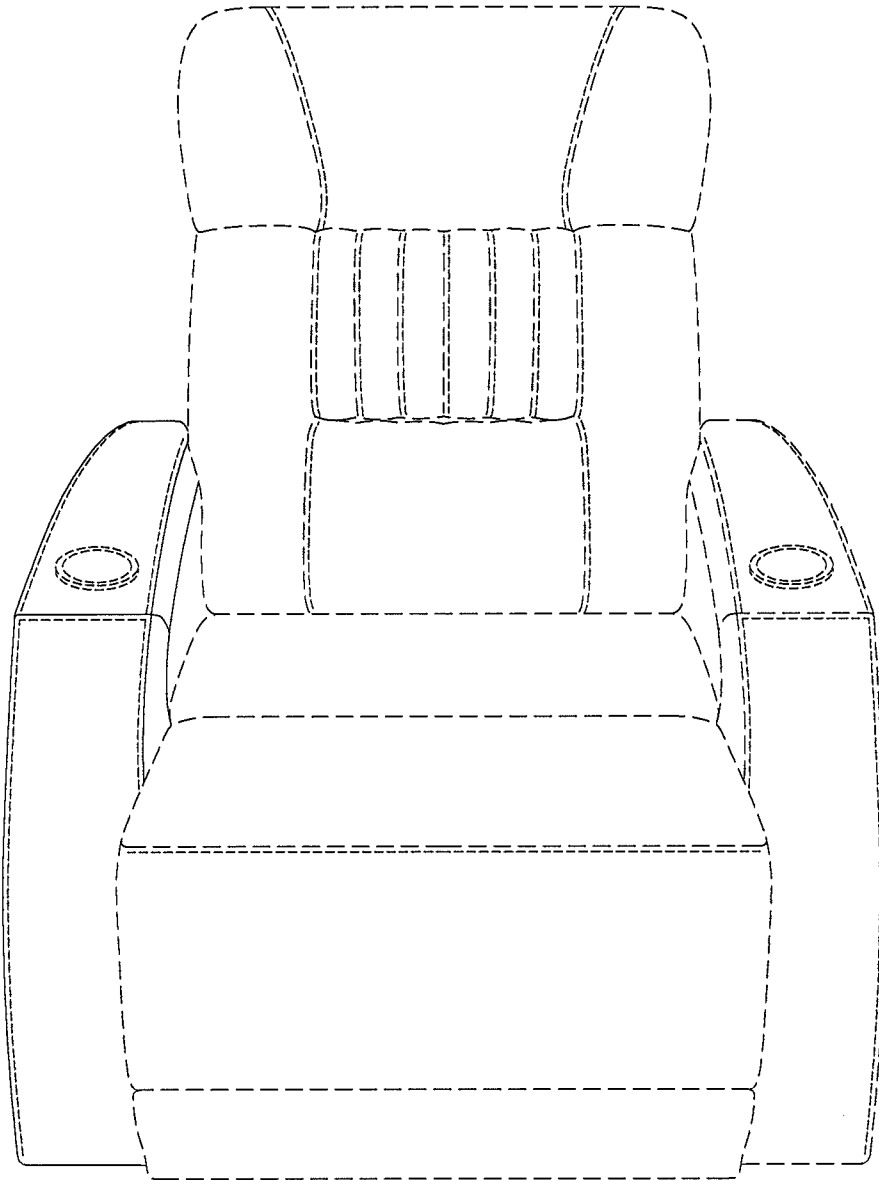


FIG. 1

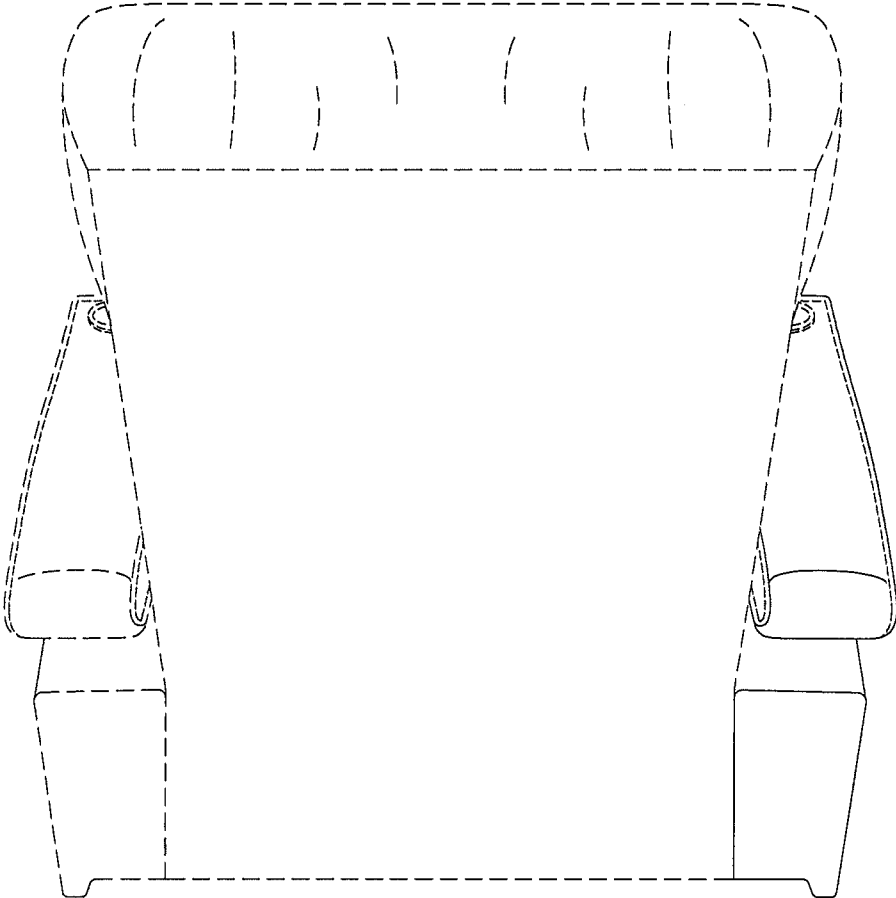


FIG. 2

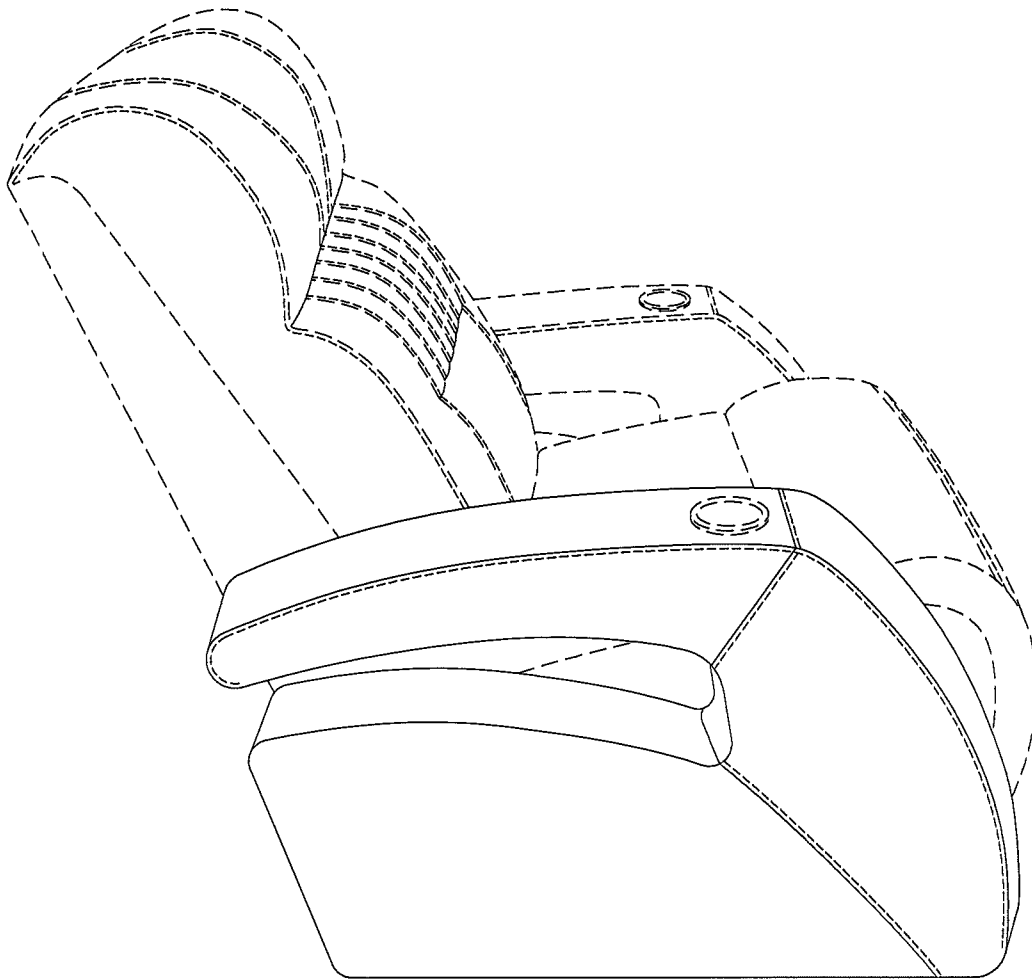


FIG. 3

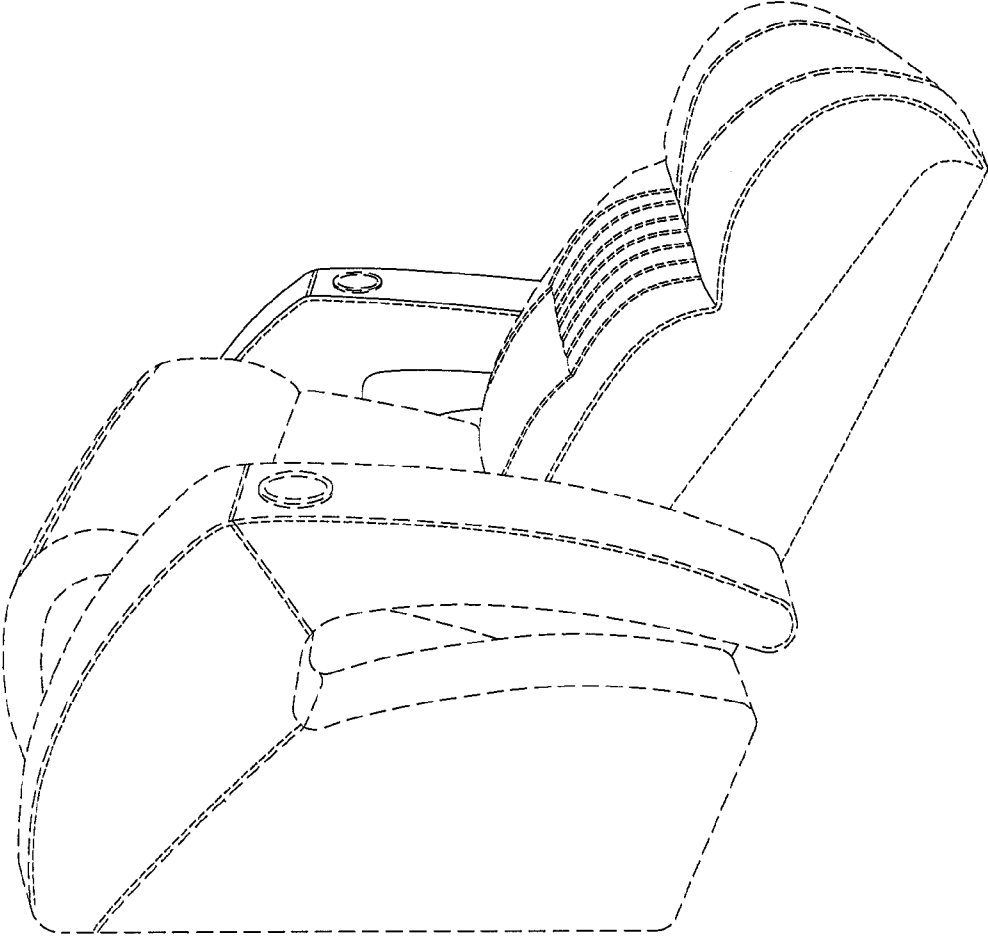


FIG. 4

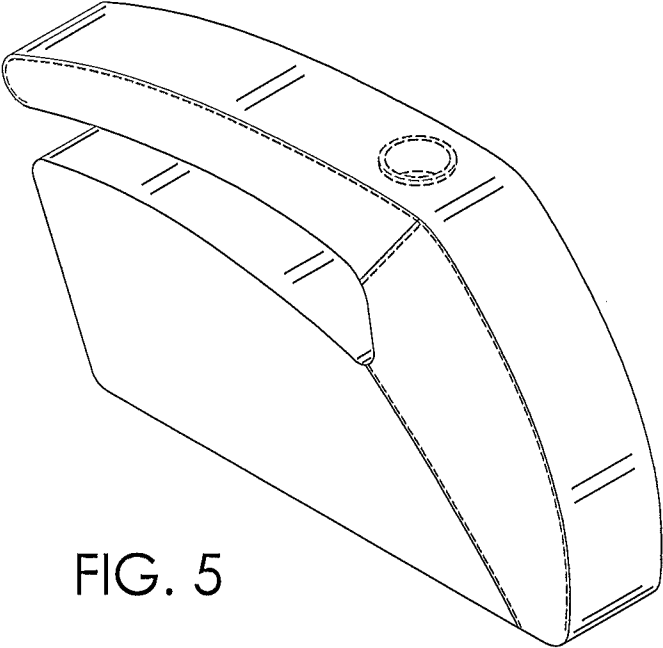


FIG. 5

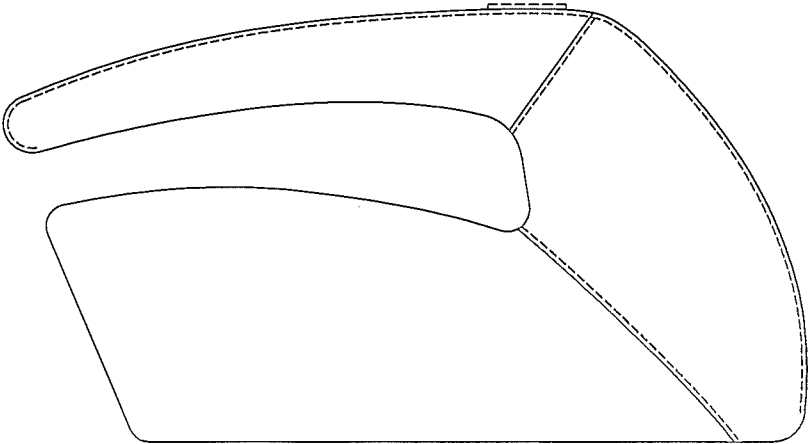


FIG. 6