

(19) World Intellectual Property Organization
International Bureau



(43) International Publication Date
26 August 2004 (26.08.2004)

PCT

(10) International Publication Number
WO 2004/073205 A3

- (51) International Patent Classification⁷: **H04B 7/005**
- (21) International Application Number: PCT/IB2004/000375
- (22) International Filing Date: 16 February 2004 (16.02.2004)
- (25) Filing Language: English
- (26) Publication Language: English
- (30) Priority Data:

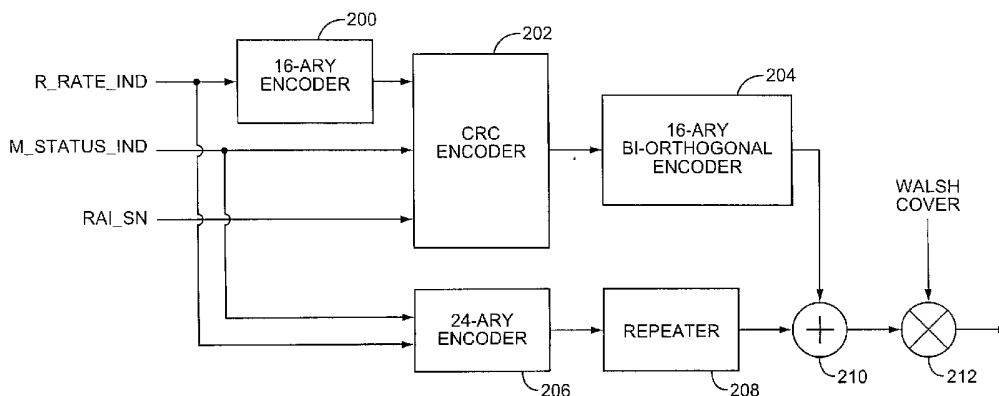
60/447,432	14 February 2003 (14.02.2003)	US
60/479,551	18 June 2003 (18.06.2003)	US
10/779,518	13 February 2004 (13.02.2004)	US
- (71) Applicant (for all designated States except US): TELEFONAKTIEBOLAGET LM ERICSSON (PUBL) [SE/SE]; Telefonplan, S-126 25 Stockholm (SE).
- (72) Inventors; and
- (75) Inventors/Applicants (for US only): **TSAL, Shiau-He Shawn** [KP/US]; 7335 Calle Cristobal, #156, San Diego, CA 92126 (US). **OH, Seong-Jun** [KR/US]; 3883 Crestone Place, San Diego, CA 92130 (US). **SOONG, Anthony** [CA/US]; 1967 Eldorado Drive, Superior, CO 80027 (US). **YOON, Young** [CA/US]; 7215 Calabria Court, #79, San Diego, CA 92122 (US).
- (74) Common Representative: TELEFONAKTIEBOLAGET LM ERICSSON (PUBL); C/o David E. Bennett, Coats & Bennett, P.L.L.C., Post Office Box 5, Raleigh, NC 27602 (US).
- (81) Designated States (unless otherwise indicated, for every kind of national protection available): AE, AG, AL, AM, AT, AU, AZ, BA, BB, BG, BR, BW, BY, BZ, CA, CH, CN, CO, CR, CU, CZ, DE, DK, DM, DZ, EC, EE, EG, ES, FI, GB, GD, GE, GH, GM, HR, HU, ID, IL, IN, IS, JP, KE, KG, KP, KR, KZ, LC, LK, LR, LS, LT, LU, LV, MA, MD, MG, MK, MN, MW, MX, MZ, NA, NI, NO, NZ, OM, PG, PH, PL, PT, RO, RU, SC, SD, SE, SG, SK, SL, SY, TJ, TM, TN, TR, TT, TZ, UA, UG, US, UZ, VC, VN, YU, ZA, ZM, ZW.
- (84) Designated States (unless otherwise indicated, for every kind of regional protection available): ARIPO (BW, GH, GM, KE, LS, MW, MZ, SD, SL, SZ, TZ, UG, ZM, ZW), Eurasian (AM, AZ, BY, KG, KZ, MD, RU, TJ, TM), European (AT, BE, BG, CH, CY, CZ, DE, DK, EE, ES, FI, FR, GB, GR, HU, IE, IT, LU, MC, NL, PT, RO, SE, SI, SK, TR), OAPI (BF, BJ, CF, CG, CI, CM, GA, GN, GQ, GW, ML, MR, NE, SN, TD, TG).

Declarations under Rule 4.17:

- as to applicant's entitlement to apply for and be granted a patent (Rule 4.17(ii)) for all designations
- as to applicant's entitlement to apply for and be granted a patent (Rule 4.17(ii)) for all designations

[Continued on next page]

(54) Title: POWER CONTROL FOR REVERSE PACKET DATA CHANNEL IN CDMA SYSTEMS



(57) Abstract: A method of reverse link power control for a reverse packet data channel in a wireless communication system allows a mobile station to autonomously change its data transmission rate. The mobile station transmits packet data over a reverse packet data channel having a data rate variant transmit power level that varies based on a transmit data rate on the packet data channel. The mobile station further transmits control signals over a reverse control channel associated with the reverse packet data channel. The transmit power level of the reverse control channel is such that the transmit power level does not vary with the transmit data rate on the packet data channel. The radio base station measures the strength of the received signals on the reverse control channel, compares the measured strength to a power control set point, and generates a power control signal responsive to the comparison of the control signal of the control signal to the power control set point.

WO 2004/073205 A3



- as to applicant's entitlement to apply for and be granted a patent (Rule 4.17(ii)) for all designations
 - as to applicant's entitlement to apply for and be granted a patent (Rule 4.17(ii)) for all designations
 - as to applicant's entitlement to apply for and be granted a patent (Rule 4.17(ii)) for the following designations AE, AG, AL, AM, AT, AU, AZ, BA, BB, BG, BR, BW, BY, BZ, CA, CH, CN, CO, CR, CU, CZ, DE, DK, DM, DZ, EC, EE, EG, ES, FI, GB, GD, GE, GH, GM, HR, HU, ID, IL, IN, IS, JP, KE, KG, KP, KR, KZ, LC, LK, LR, LS, LT, LU, LV, MA, MD, MG, MK, MN, MW, MX, MZ, NA, NI, NO, NZ, OM, PG, PH, PL, PT, RO, RU, SC, SD, SE, SG, SK, SL, SY, TJ, TM, TN, TR, TT, TZ, UA, UG, UZ, VC, VN, YU, ZA, ZM, ZW, ARIPO patent (BW, GH, GM, KE, LS, MW, MZ, SD, SL, SZ, TZ, UG, ZM, ZW), Eurasian patent (AM, AZ, BY, KG, KZ, MD, RU, TJ, TM), European patent (AT, BE, BG, CH, CY, CZ, DE, DK, EE, ES, FI, FR, GB, GR, HU, IE, IT, LU, MC, NL, PT, RO, SE, SI, SK, TR), OAPI patent (BF, BJ, CF, CG, CI, CM, GA, GN, GQ, GW, ML, MR, NE, SN, TD, TG)
 - as to the applicant's entitlement to claim the priority of the earlier application (Rule 4.17(iii)) for all designations
 - as to the applicant's entitlement to claim the priority of the earlier application (Rule 4.17(iii)) for all designations
 - as to the applicant's entitlement to claim the priority of the earlier application (Rule 4.17(iii)) for all designations
 - as to the applicant's entitlement to claim the priority of the earlier application (Rule 4.17(iii)) for all designations
 - as to the applicant's entitlement to claim the priority of the earlier application (Rule 4.17(iii)) for all designations
 - as to the applicant's entitlement to claim the priority of the earlier application (Rule 4.17(iii)) for all designations
 - as to the applicant's entitlement to claim the priority of the earlier application (Rule 4.17(iii)) for all designations
 - as to the applicant's entitlement to claim the priority of the earlier application (Rule 4.17(iii)) for all designations
 - as to the applicant's entitlement to claim the priority of the earlier application (Rule 4.17(iii)) for the following designations AE, AG, AL, AM, AT, AU, AZ, BA, BB, BG, BR, BW, BY, BZ, CA, CH, CN, CO, CR, CU, CZ, DE, DK, DM, DZ, EC, EE, EG, ES, FI, GB, GD, GE, GH, GM, HR, HU, ID, IL, IN, IS, JP, KE, KG, KP, KR, KZ, LC, LK, LR, LS, LT, LU, LV, MA, MD, MG, MK, MN, MW, MX, MZ, NA, NI, NO, NZ, OM, PG, PH, PL, PT, RO, RU, SC, SD, SE, SG, SK, SL, SY, TJ, TM, TN, TR, TT, TZ, UA, UG, UZ, VC, VN, YU, ZA, ZM, ZW, ARIPO patent (BW, GH, GM, KE, LS, MW, MZ, SD, SL, SZ, TZ, UG, ZM, ZW), Eurasian patent (AM, AZ, BY, KG, KZ, MD, RU, TJ, TM), European patent (AT, BE, BG, CH, CY, CZ, DE, DK, EE, ES, FI, FR, GB, GR, HU, IE, IT, LU, MC, NL, PT, RO, SE, SI, SK, TR), OAPI patent (BF, BJ, CF, CG, CI, CM, GA, GN, GQ, GW, ML, MR, NE, SN, TD, TG)
- Published:**
- with international search report
 - before the expiration of the time limit for amending the claims and to be republished in the event of receipt of amendments
- (88) Date of publication of the international search report:**
27 January 2005
- For two-letter codes and other abbreviations, refer to the "Guidance Notes on Codes and Abbreviations" appearing at the beginning of each regular issue of the PCT Gazette.

INTERNATIONAL SEARCH REPORT

International Application No
PCT/IB2004/000375

A. CLASSIFICATION OF SUBJECT MATTER IPC 7 H04B7/005				
According to International Patent Classification (IPC) or to both national classification and IPC				
B. FIELDS SEARCHED				
Minimum documentation searched (classification system followed by classification symbols) IPC 7 H04B H04Q				
Documentation searched other than minimum documentation to the extent that such documents are included in the fields searched				
Electronic data base consulted during the international search (name of data base and, where practical, search terms used) EPO-Internal, WPI Data				
C. DOCUMENTS CONSIDERED TO BE RELEVANT				
Category °	Citation of document, with indication, where appropriate, of the relevant passages	Relevant to claim No.		
X	WO 00/74289 A (SAMSUNG ELECTRONICS CO LTD) 7 December 2000 (2000-12-07) abstract; figures 1A,3 page 3, line 30 - page 4, line 35 page 8, line 38 - page 9, line 9 page 6, line 27 - page 8, line 1 -----	1-4,29, 38,47, 52,55, 57,60,61		
A	US 5 812 938 A (GILHOUSEN KLEIN S ET AL) 22 September 1998 (1998-09-22) column 4, line 13 - line 27 claim 1; figure 3 ----- -/--	1,9,12, 17,23,55		
<input checked="" type="checkbox"/> Further documents are listed in the continuation of box C.				
<input checked="" type="checkbox"/> Patent family members are listed in annex.				
° Special categories of cited documents :				
<table style="width: 100%; border: none;"> <tr> <td style="width: 50%; border: none; vertical-align: top;"> "A" document defining the general state of the art which is not considered to be of particular relevance "E" earlier document but published on or after the international filing date "L" document which may throw doubts on priority claim(s) or which is cited to establish the publication date of another citation or other special reason (as specified) "O" document referring to an oral disclosure, use, exhibition or other means "P" document published prior to the international filing date but later than the priority date claimed </td> <td style="width: 50%; border: none; vertical-align: top;"> "T" later document published after the international filing date or priority date and not in conflict with the application but cited to understand the principle or theory underlying the invention "X" document of particular relevance; the claimed invention cannot be considered novel or cannot be considered to involve an inventive step when the document is taken alone "Y" document of particular relevance; the claimed invention cannot be considered to involve an inventive step when the document is combined with one or more other such documents, such combination being obvious to a person skilled in the art. "&" document member of the same patent family </td> </tr> </table>			"A" document defining the general state of the art which is not considered to be of particular relevance "E" earlier document but published on or after the international filing date "L" document which may throw doubts on priority claim(s) or which is cited to establish the publication date of another citation or other special reason (as specified) "O" document referring to an oral disclosure, use, exhibition or other means "P" document published prior to the international filing date but later than the priority date claimed	"T" later document published after the international filing date or priority date and not in conflict with the application but cited to understand the principle or theory underlying the invention "X" document of particular relevance; the claimed invention cannot be considered novel or cannot be considered to involve an inventive step when the document is taken alone "Y" document of particular relevance; the claimed invention cannot be considered to involve an inventive step when the document is combined with one or more other such documents, such combination being obvious to a person skilled in the art. "&" document member of the same patent family
"A" document defining the general state of the art which is not considered to be of particular relevance "E" earlier document but published on or after the international filing date "L" document which may throw doubts on priority claim(s) or which is cited to establish the publication date of another citation or other special reason (as specified) "O" document referring to an oral disclosure, use, exhibition or other means "P" document published prior to the international filing date but later than the priority date claimed	"T" later document published after the international filing date or priority date and not in conflict with the application but cited to understand the principle or theory underlying the invention "X" document of particular relevance; the claimed invention cannot be considered novel or cannot be considered to involve an inventive step when the document is taken alone "Y" document of particular relevance; the claimed invention cannot be considered to involve an inventive step when the document is combined with one or more other such documents, such combination being obvious to a person skilled in the art. "&" document member of the same patent family			
Date of the actual completion of the international search <p style="text-align: center; font-size: 1.2em;">2 December 2004</p>	Date of mailing of the International search report <p style="text-align: right; font-size: 1.2em;">09.12.04</p>			
Name and mailing address of the ISA European Patent Office, P.B. 5818 Patentlaan 2 NL - 2280 HV Rijswijk Tel. (+31-70) 340-2040, Tx. 31 651 epo nl, Fax: (+31-70) 340-3016	Authorized officer <p style="text-align: center; font-size: 1.2em;">LOPEZ DE ECHAZARRETA</p>			

INTERNATIONAL SEARCH REPORT

International Application No
PCT/IB2004/000375

C.(Continuation) DOCUMENTS CONSIDERED TO BE RELEVANT		
Category *	Citation of document, with indication, where appropriate, of the relevant passages	Relevant to claim No.
X	WO 01/37443 A (SAMSUNG ELECTRONICS CO LTD) 25 May 2001 (2001-05-25)	29,38
A	abstract paragraph [0012] - paragraph [0018] paragraph [0054] - paragraph [0056] paragraph [0065] - paragraph [0066]; figure 6B -----	64,68

INTERNATIONAL SEARCH REPORT

International application No.
PCT/IB2004/000375

Box II Observations where certain claims were found unsearchable (Continuation of item 2 of first sheet)

This International Search Report has not been established in respect of certain claims under Article 17(2)(a) for the following reasons:

1. Claims Nos.:
because they relate to subject matter not required to be searched by this Authority, namely:

2. Claims Nos.:
because they relate to parts of the International Application that do not comply with the prescribed requirements to such an extent that no meaningful International Search can be carried out, specifically:

3. Claims Nos.:
because they are dependent claims and are not drafted in accordance with the second and third sentences of Rule 6.4(a).

Box III Observations where unity of invention is lacking (Continuation of item 3 of first sheet)

This International Searching Authority found multiple inventions in this international application, as follows:

see additional sheet

1. As all required additional search fees were timely paid by the applicant, this International Search Report covers all searchable claims.

2. As all searchable claims could be searched without effort justifying an additional fee, this Authority did not invite payment of any additional fee.

3. As only some of the required additional search fees were timely paid by the applicant, this International Search Report covers only those claims for which fees were paid, specifically claims Nos.:

4. No required additional search fees were timely paid by the applicant. Consequently, this International Search Report is restricted to the invention first mentioned in the claims; it is covered by claims Nos.:

Remark on Protest

The additional search fees were accompanied by the applicant's protest.

No protest accompanied the payment of additional search fees.

FURTHER INFORMATION CONTINUED FROM PCT/ISA/ 210

This International Searching Authority found multiple (groups of) inventions in this international application, as follows:

1. claims: 1-28,47-63

A method of controlling a reverse link power of a mobile station in a wireless communication network, the method comprising:

- * receiving a control signal from the mobile station that includes one or more codewords repeated at a desired power control rate;
- * determining quality metrics corresponding to the repeated codewords;
- * generating reverse link power control commands based on comparing the quality metrics to a power control set point; and
- * transmitting the reverse link power control commands to the mobile station

2. claims: 29-46,64-71

A method implemented by a mobile station of transmitting control information to a base station comprising:

- * encoding first control information to form a first codeword;
- * repetitively transmitting the first codeword to a radio base station a predetermined number of times;

INTERNATIONAL SEARCH REPORT

Information on patent family members

International Application No

PCT/IB2004/000375

Patent document cited in search report	A	Publication date		Patent family member(s)	Publication date
WO 0074289	A	07-12-2000	KR	2000075369 A	15-12-2000
			AU	756259 B2	09-01-2003
			AU	5110600 A	18-12-2000
			CA	2337909 A1	07-12-2000
			CN	1310895 T	29-08-2001
			EP	1101311 A1	23-05-2001
			WO	0074289 A1	07-12-2000

US 5812938	A	22-09-1998	US	5603096 A	11-02-1997
			AU	685967 B2	29-01-1998
			AU	2968395 A	09-02-1996
			BR	9508263 A	23-12-1997
			CA	2193979 A1	25-01-1996
			CN	1152384 A	18-06-1997
			EP	0770293 A1	02-05-1997
			FI	970117 A	10-03-1997
			IL	114512 A	10-11-2002
			JP	3200069 B2	20-08-2001
			JP	10502778 T	10-03-1998
			WO	9602097 A1	25-01-1996
			ZA	9505603 A	16-04-1996

WO 0137443	A	25-05-2001	KR	2001046841 A	15-06-2001
			KR	2001068691 A	23-07-2001
			AU	767199 B2	06-11-2003
			AU	1896001 A	30-05-2001
			BR	0015608 A	30-07-2002
			CA	2391631 A1	25-05-2001
			CN	1390396 T	08-01-2003
			DE	20023314 U1	26-02-2004
			EP	1234384 A1	28-08-2002
			JP	2003514484 T	15-04-2003
			WO	0137443 A1	25-05-2001
			KR	2002050288 A	26-06-2002
			US	6810264 B1	26-10-2004
			US	2004157635 A1	12-08-2004
