



US00D994334S

(12) **United States Design Patent**
Qiu

(10) **Patent No.:** **US D994,334 S**

(45) **Date of Patent:** **** Aug. 8, 2023**

(54) **TOY MAKEUP CASE**

D963,339 S 9/2022 Cai
D981,650 S * 3/2023 Zheng D16/200
D986,593 S * 5/2023 Fang D3/273

(71) Applicant: **Meina Qiu**, Shantou (CN)

(72) Inventor: **Meina Qiu**, Shantou (CN)

(**) Term: **15 Years**

(21) Appl. No.: **29/872,589**

(22) Filed: **Mar. 15, 2023**

(30) **Foreign Application Priority Data**

Sep. 15, 2022 (CN) 202230609619.8

(51) **LOC (14) Cl.** **21-01**

(52) **U.S. Cl.**

USPC **D21/452**; D3/271.11; D3/901

(58) **Field of Classification Search**

USPC D3/271.6, 271.11, 273, 274, 276, 282,
D3/289, 294, 296, 305, 302, 287, 900;
D21/533, 452, 451

CPC B65D 21/0209; B65D 21/0215; B65D
21/023; A45C 3/02

See application file for complete search history.

(56) **References Cited**

U.S. PATENT DOCUMENTS

D431,846 S * 10/2000 Le Porcher D21/452
D457,200 S * 5/2002 Dove D21/567
D588,807 S * 3/2009 Azman D9/673
D627,235 S * 11/2010 Lo D9/674
D888,162 S * 6/2020 Fang D21/452
D952,176 S * 5/2022 Yin D24/215

OTHER PUBLICATIONS

Amazon.co.uk, "Pet Vet Toys Play Set for Toddlers 3-8 Boys Girls ...", First on sale May 22, 2022. (<https://www.amazon.co.uk/Vet-Pet-Toys-for-Kids/dp/B09T91PXHR?th=1>) (Year: 2022).*

* cited by examiner

Primary Examiner — April Rivas

(57) **CLAIM**

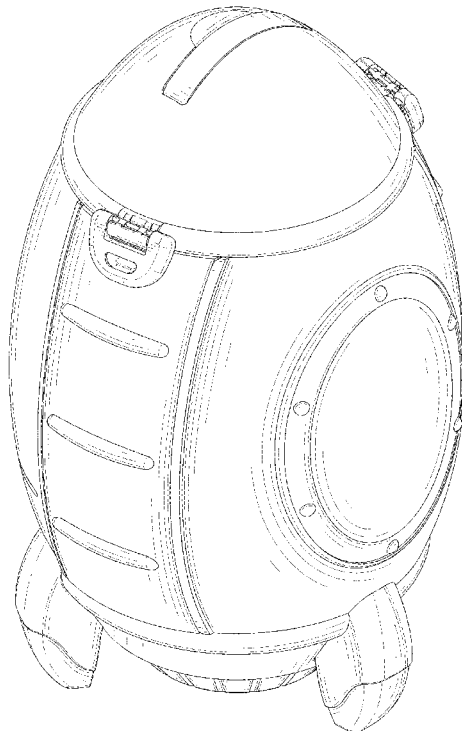
The ornamental design for a toy makeup case, as shown and described.

DESCRIPTION

FIG. 1 is a front and top perspective view of a toy makeup case, showing my new design;
FIG. 2 is a rear and bottom perspective view thereof;
FIG. 3 is a front elevation view thereof;
FIG. 4 is a rear elevation view thereof;
FIG. 5 is a left side elevation view thereof;
FIG. 6 is a right side elevation view thereof;
FIG. 7 is a top plan view thereof;
FIG. 8 is a bottom plan view thereof; and,
FIG. 9 is another perspective view thereof, shown in an alternative-position.

The evenly dashed lines are shown for the purpose of illustrating both parts of the toy makeup case as well as environmental subject matter. None of the dashed lines form part of the claimed design.

1 Claim, 9 Drawing Sheets



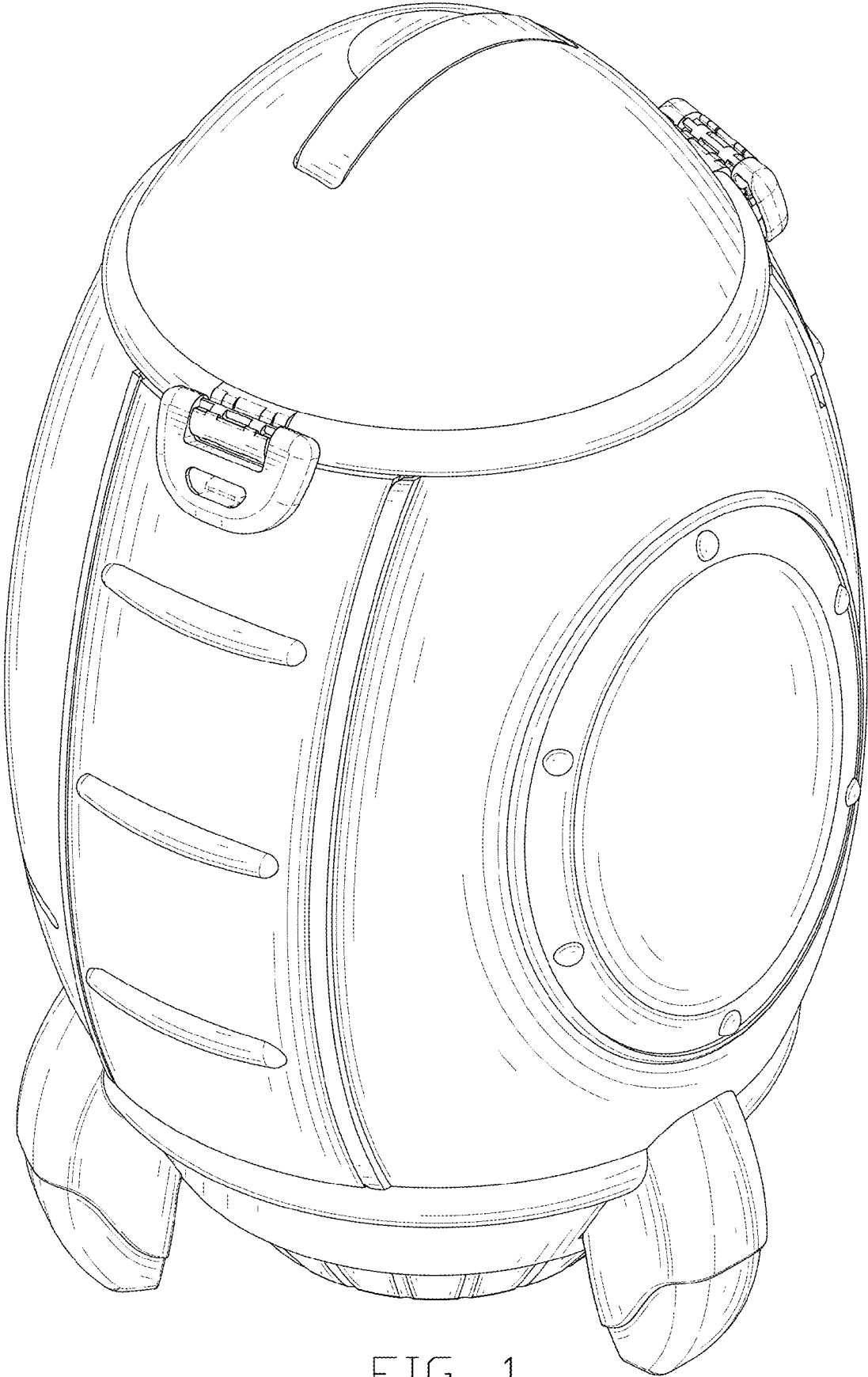


FIG. 1

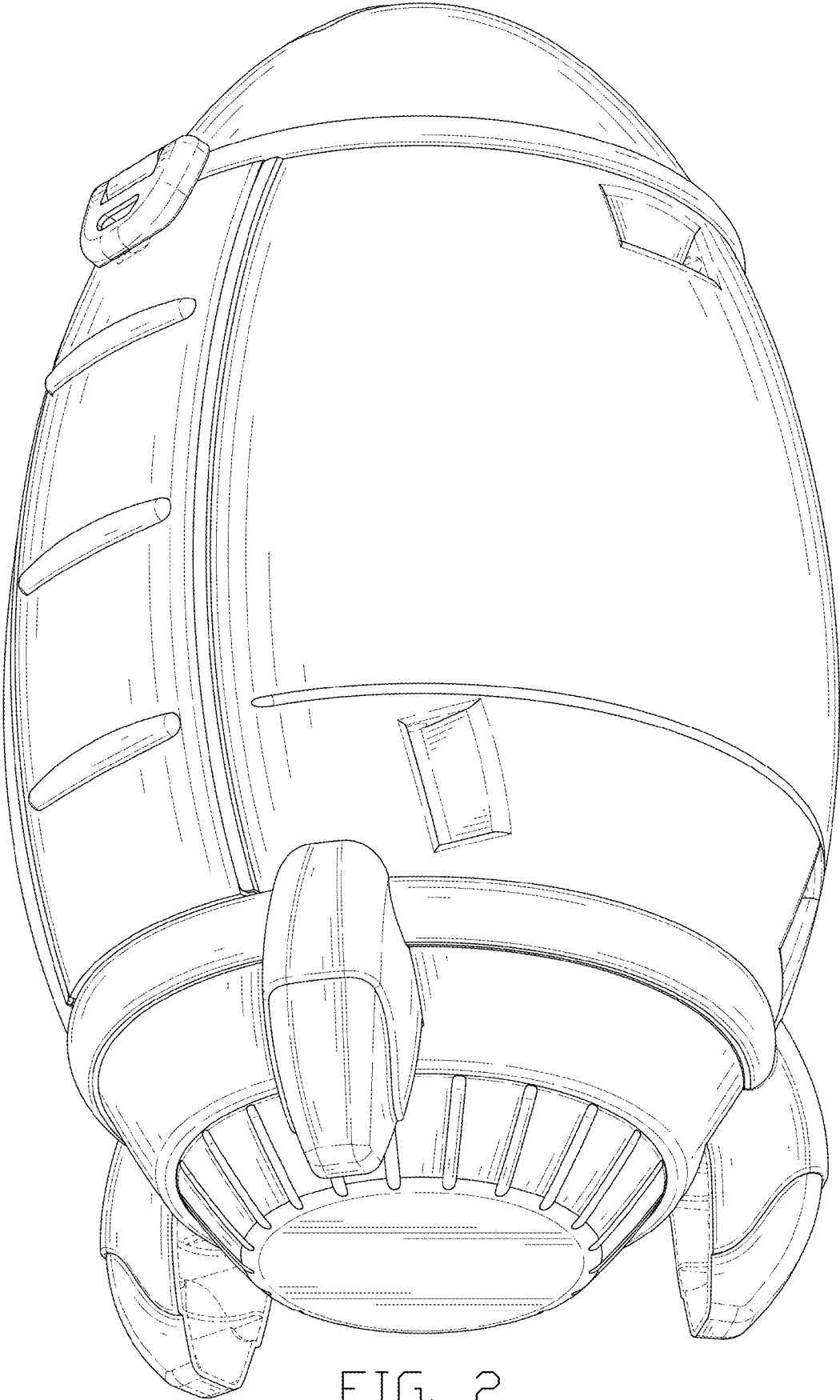


FIG. 2

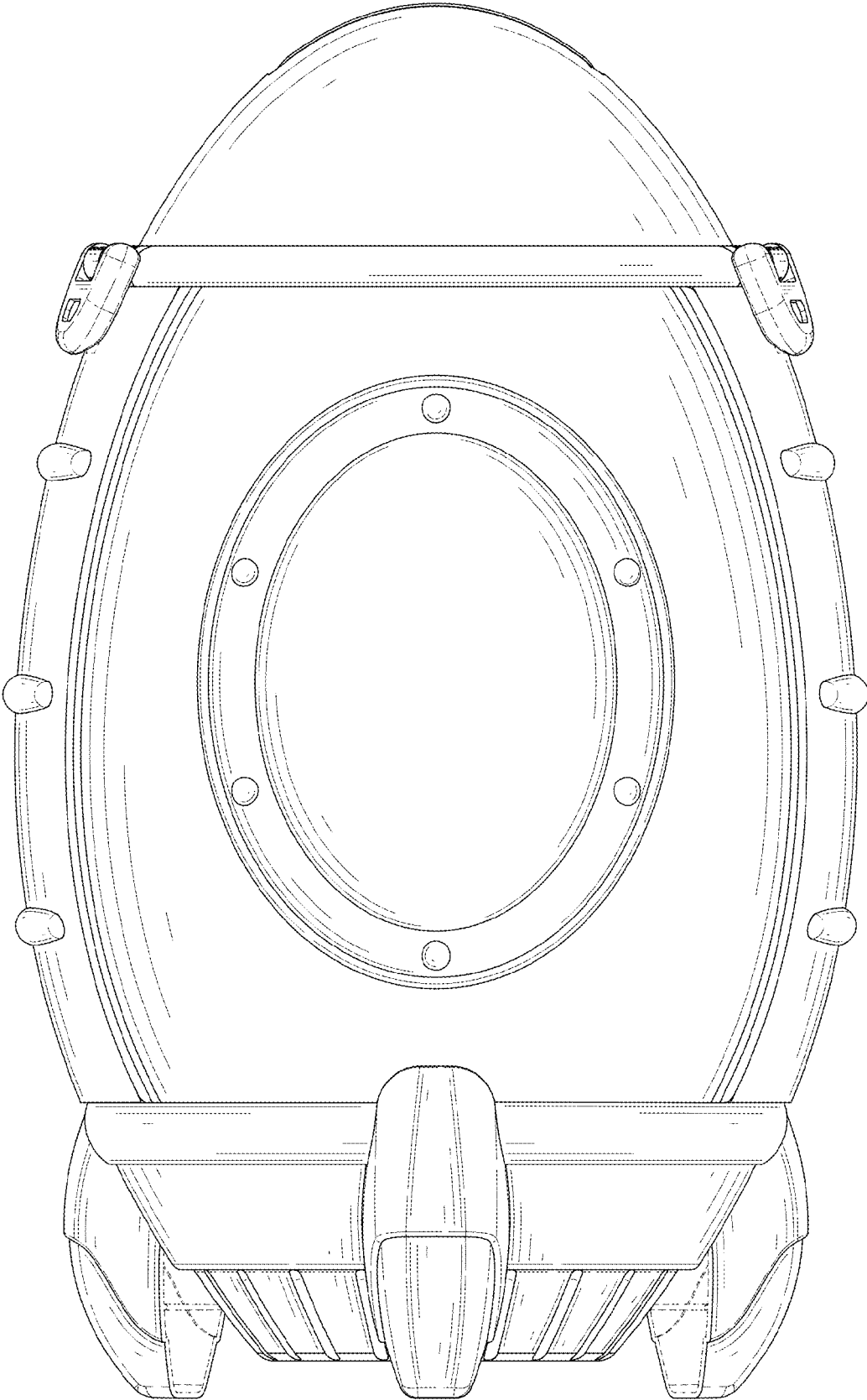


FIG. 3

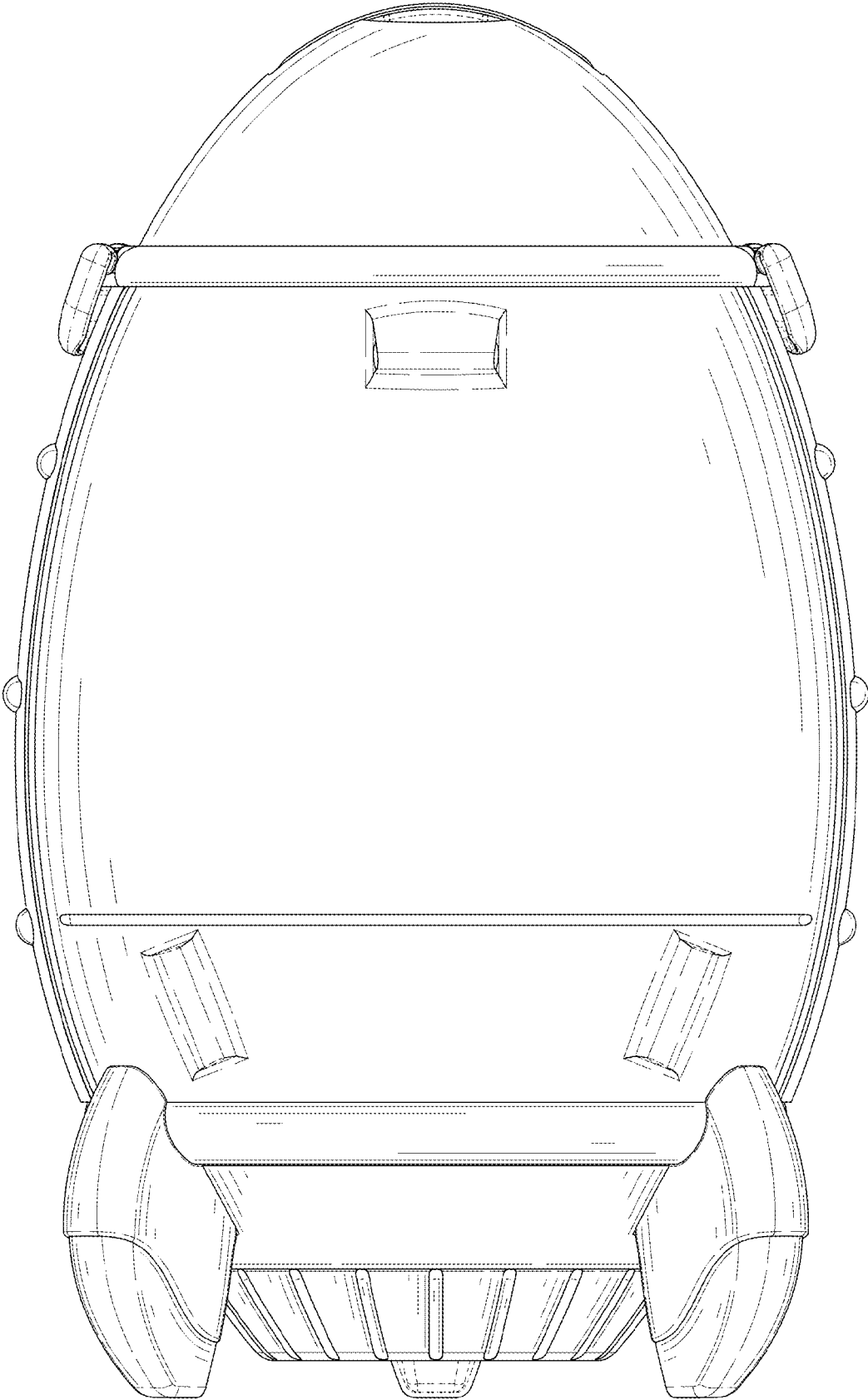


FIG. 4

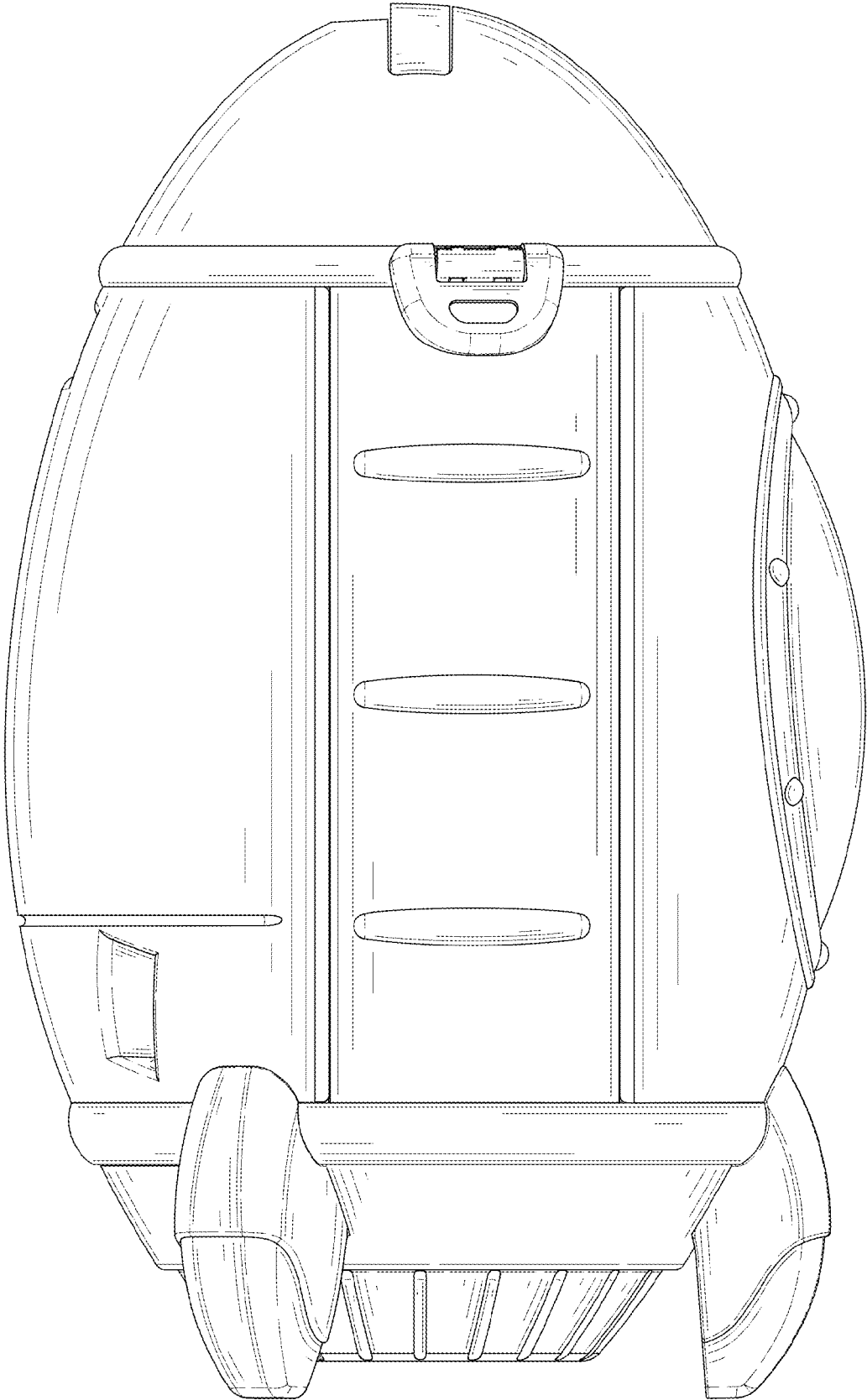


FIG. 5

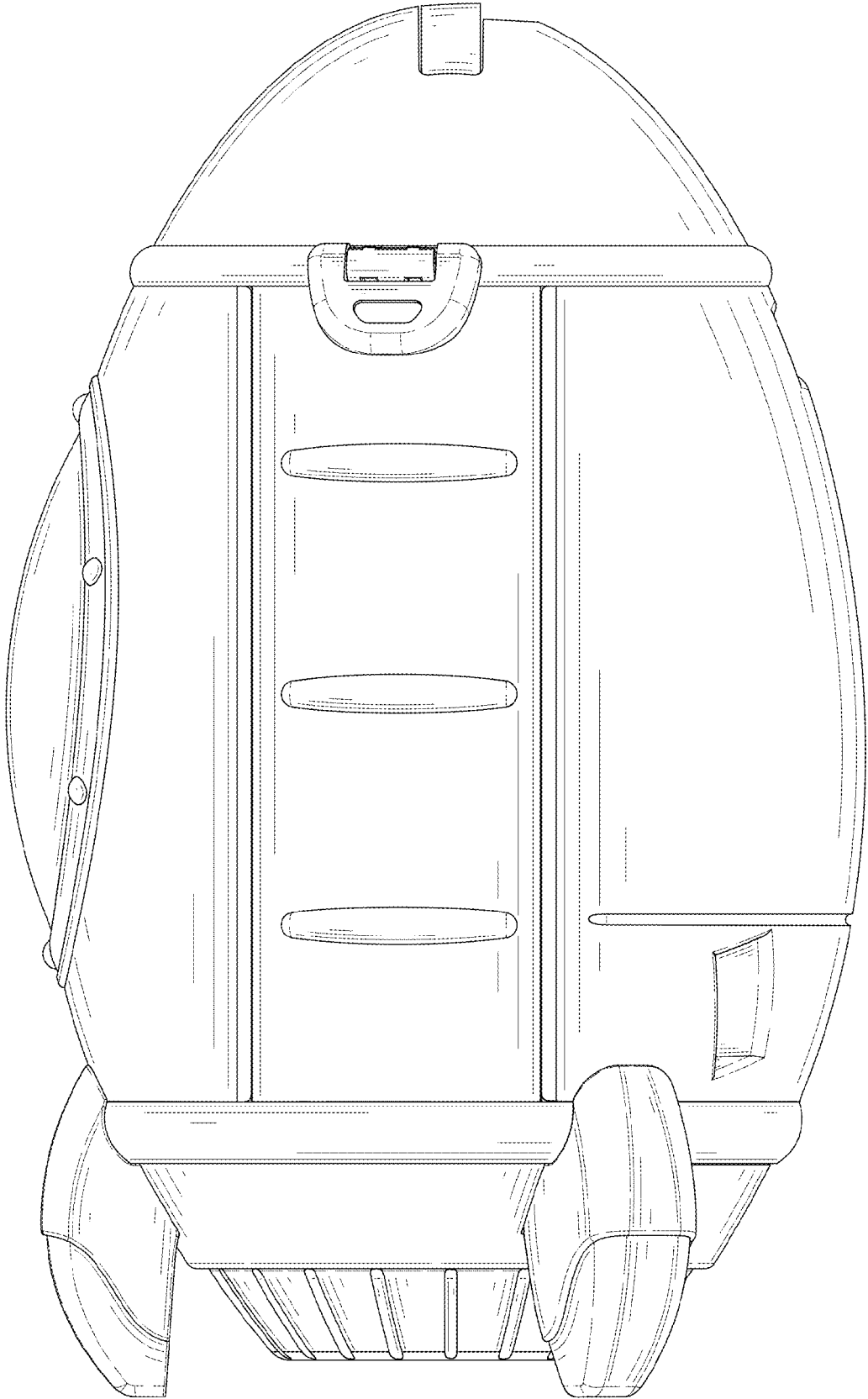


FIG. 6

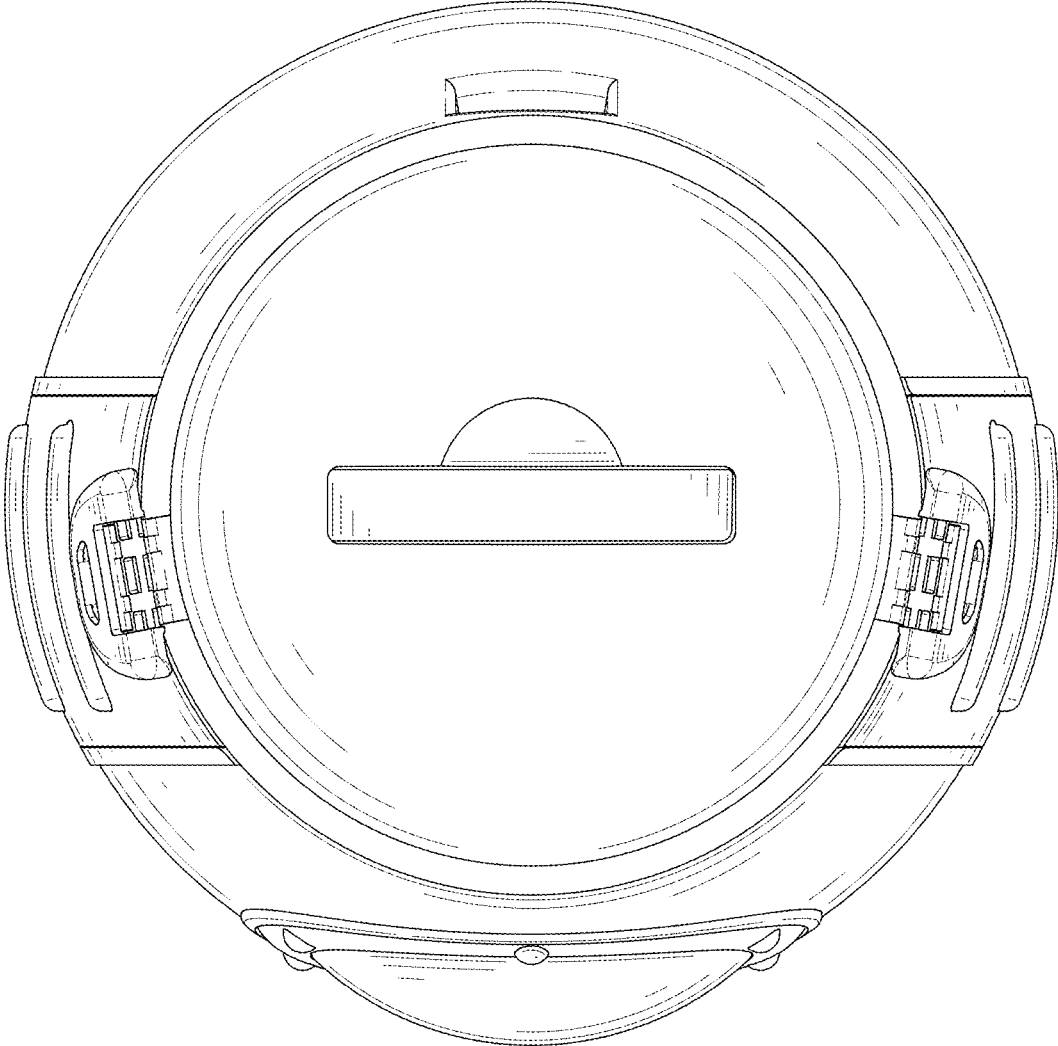


FIG. 7

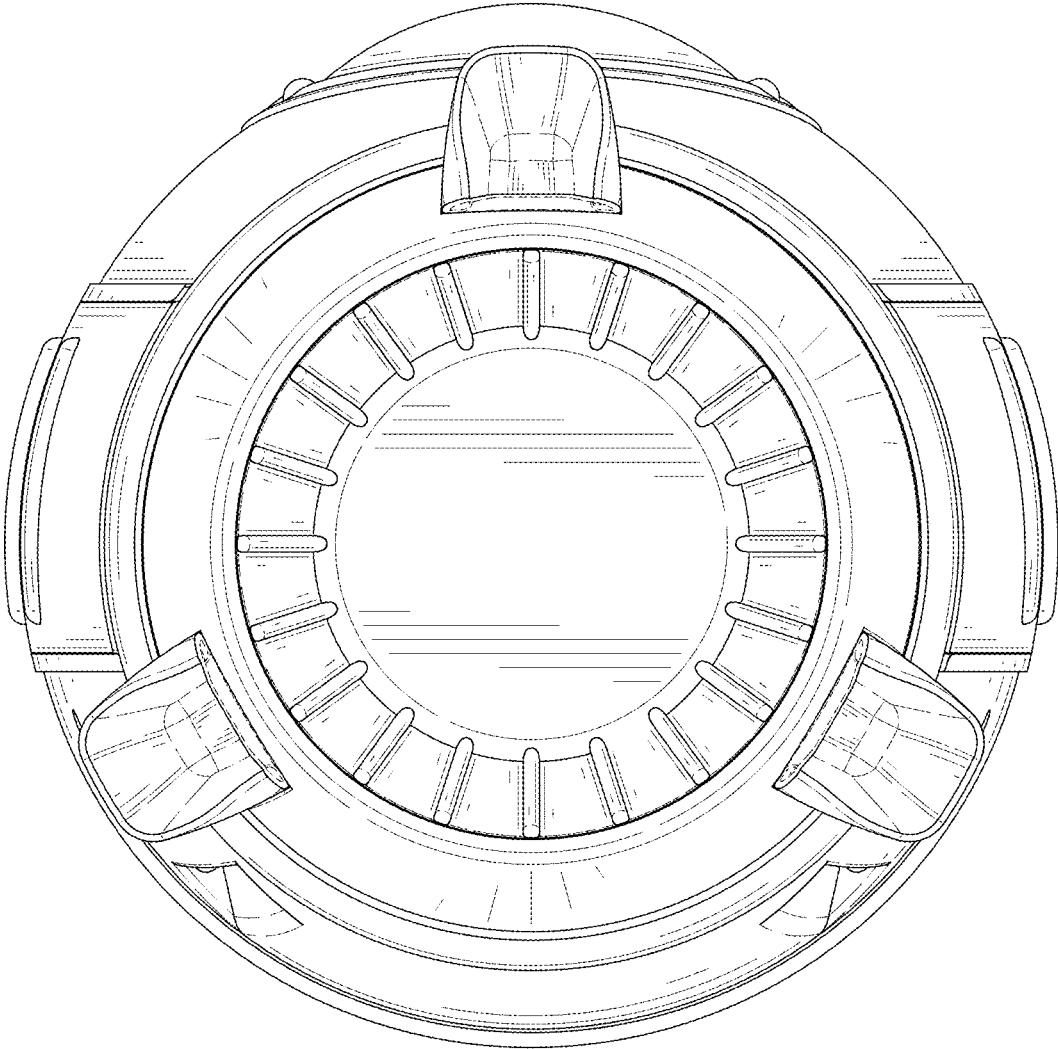


FIG. 8

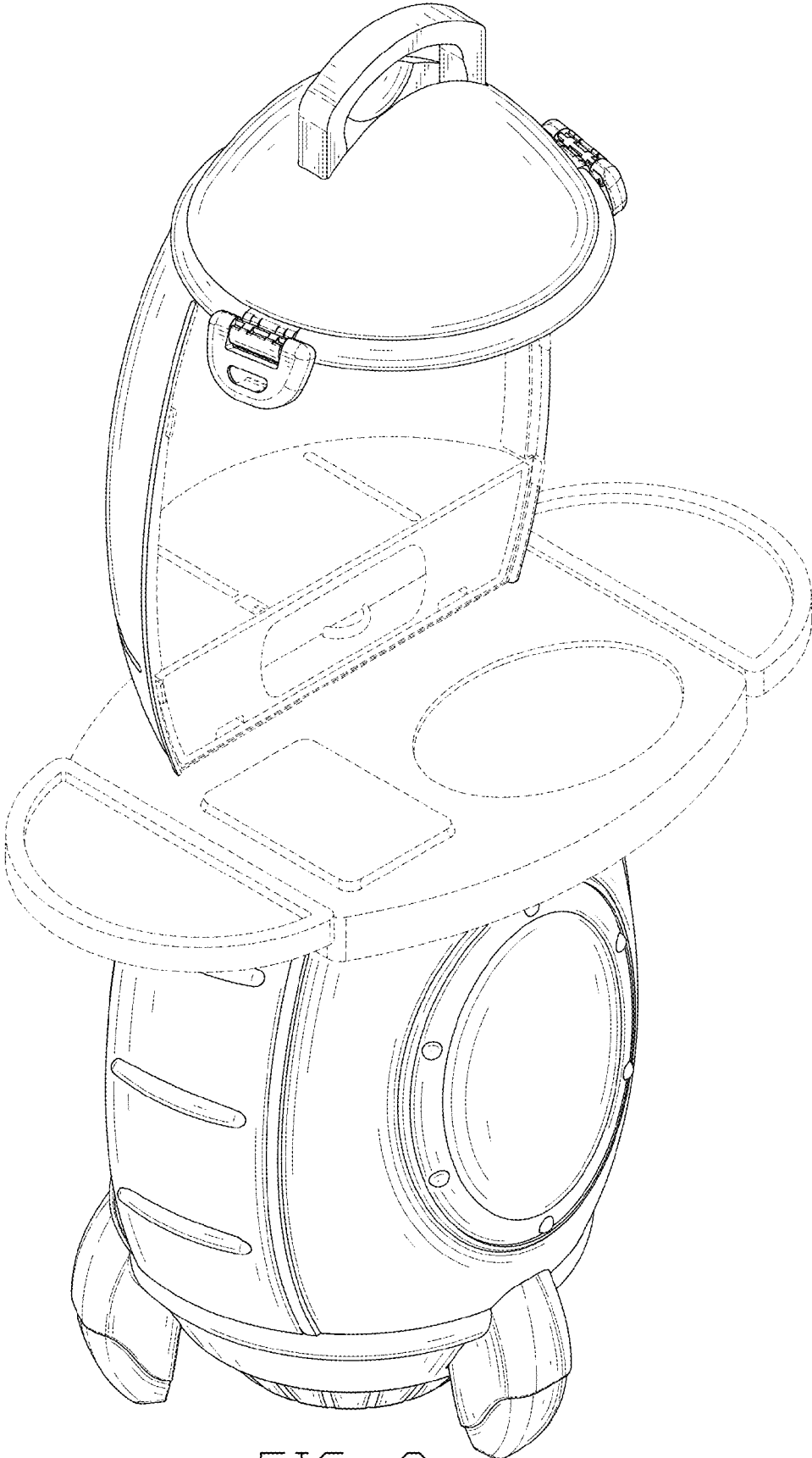


FIG. 9