

(19) World Intellectual Property Organization  
International Bureau



(43) International Publication Date  
11 October 2007 (11.10.2007)

PCT

(10) International Publication Number  
**WO 2007/113675 A3**

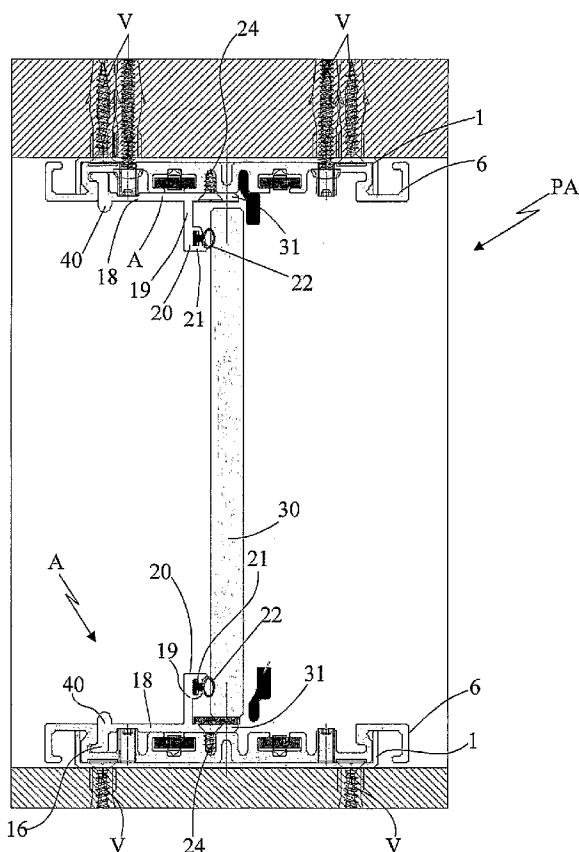
- (51) International Patent Classification:  
E04B 2/78 (2006.01) E04B 2/74 (2006.01)  
E06B 3/46 (2006.01)
- (21) International Application Number:  
PCT/IB2007/000983
- (22) International Filing Date: 2 April 2007 (02.04.2007)
- (25) Filing Language: Italian
- (26) Publication Language: English
- (30) Priority Data:  
PD2006A000121 4 April 2006 (04.04.2006) IT
- (71) Applicant (for all designated States except US): BOSCA  
ARREDI S.N.C. DI SCAPIN ANTONIO E F.LLI  
[IT/IT]; Via Cornara C., 17, I-35010 Massanzago (IT).
- (72) Inventor; and
- (75) Inventor/Applicant (for US only): SCAPIN, Luca  
[IT/IT]; Via Cornara C., 21, I-35010 Massanzago (IT).
- (74) Agent: GALLO, Luca; c/o Gallo & Partners S.r.l, Via  
Trieste, 49, I-35121 Padova (IT).

- (81) Designated States (unless otherwise indicated, for every kind of national protection available): AE, AG, AL, AM, AT, AU, AZ, BA, BB, BG, BH, BR, BW, BY, BZ, CA, CH, CN, CO, CR, CU, CZ, DE, DK, DM, DZ, EC, EE, EG, ES, FI, GB, GD, GE, GH, GM, GT, HN, HR, HU, ID, IL, IN, IS, JP, KE, KG, KM, KN, KP, KR, KZ, LA, LC, LK, LR, LS, LT, LU, LY, MA, MD, MG, MK, MN, MW, MX, MY, MZ, NA, NG, NI, NO, NZ, OM, PG, PH, PL, PT, RO, RS, RU, SC, SD, SE, SG, SK, SL, SM, SV, SY, TJ, TM, TN, TR, TT, TZ, UA, UG, US, UZ, VC, VN, ZA, ZM, ZW.
- (84) Designated States (unless otherwise indicated, for every kind of regional protection available): ARIPO (BW, GH, GM, KE, LS, MW, MZ, NA, SD, SL, SZ, TZ, UG, ZM, ZW), Eurasian (AM, AZ, BY, KG, KZ, MD, RU, TJ, TM), European (AT, BE, BG, CH, CY, CZ, DE, DK, EE, ES, FI, FR, GB, GR, HU, IE, IS, IT, LT, LU, LV, MC, MT, NL, PL, PT, RO, SE, SI, SK, TR), OAPI (BF, BJ, CF, CG, CI, CM, GA, GN, GQ, GW, ML, MR, NE, SN, TD, TG).

Published:  
— with international search report

[Continued on next page]

(54) Title: PARTITION FOR ROOMS



(57) Abstract: Partition for rooms comprising a perimetral profile which can be rigidly secured by means of screws to the masonrywork of the section inside which the partition is to be inserted and a base profile which can be fixed inside a seat of the perimetral profile. This base profile is symmetrical with respect to a longitudinal mid-plane and has at least two longitudinal channels arranged in mirror symmetry. Several accessory profiles are envisaged, said profiles being provided with feet which can be inserted into the longitudinal channels and can be fixed to the base profile by means of screws. The retaining portions of two profiles joined together define a central groove inside which a panel is fixed.

WO 2007/113675 A3



— *before the expiration of the time limit for amending the claims and to be republished in the event of receipt of amendments*

*For two-letter codes and other abbreviations, refer to the "Guidance Notes on Codes and Abbreviations" appearing at the beginning of each regular issue of the PCT Gazette.*

**(88) Date of publication of the international search report:**

31 January 2008

**INTERNATIONAL SEARCH REPORT**

International application No  
PCT/IB2007/000983

**A. CLASSIFICATION OF SUBJECT MATTER**  
 INV. E04B2/78 E06B3/46  
 ADD. E04B2/74

According to International Patent Classification (IPC) or to both national classification and IPC

**B. FIELDS SEARCHED**

Minimum documentation searched (classification system followed by classification symbols)  
 E04B E06B

Documentation searched other than minimum documentation to the extent that such documents are included in the fields searched

Electronic data base consulted during the international search (name of data base and, where practical, search terms used)

EPO-Internal

**C. DOCUMENTS CONSIDERED TO BE RELEVANT**

Category*	Citation of document, with indication, where appropriate, of the relevant passages	Relevant to claim No.
A	US 3 205 630 A (FELIX MICHAEL D ET AL) 14 September 1965 (1965-09-14) figures 1-3	1-15
A	US 3 403 491 A (EICHMAN ELLIS V) 1 October 1968 (1968-10-01) figures 1,2	1-15

Further documents are listed in the continuation of Box C.

See patent family annex.

\* Special categories of cited documents :

- \*A\* document defining the general state of the art which is not considered to be of particular relevance
- \*E\* earlier document but published on or after the international filing date
- \*L\* document which may throw doubts on priority claim(s) or which is cited to establish the publication date of another citation or other special reason (as specified)
- \*O\* document referring to an oral disclosure, use, exhibition or other means
- \*P\* document published prior to the international filing date but later than the priority date claimed

- \*T\* later document published after the international filing date or priority date and not in conflict with the application but cited to understand the principle or theory underlying the invention
- \*X\* document of particular relevance; the claimed invention cannot be considered novel or cannot be considered to involve an inventive step when the document is taken alone
- \*Y\* document of particular relevance; the claimed invention cannot be considered to involve an inventive step when the document is combined with one or more other such documents, such combination being obvious to a person skilled in the art.
- \*Z\* document member of the same patent family

Date of the actual completion of the international search

14 November 2007

Date of mailing of the international search report

23/11/2007

Name and mailing address of the ISA/  
 European Patent Office, P.B. 5818 Patentlaan 2  
 NL - 2280 HV Rijswijk  
 Tel. (+31-70) 340-2040, Tx. 31 651 epo nl,  
 Fax: (+31-70) 340-3016

Authorized officer

Rosborough, John

# INTERNATIONAL SEARCH REPORT

Information on patent family members

International application No

PCT/IB2007/000983

Patent document cited in search report	Publication date	Patent family member(s)	Publication date
US 3205630	A	14-09-1965	NONE
US 3403491	A	01-10-1968	NONE