

181,269

## WIRE DISPENSING HOLDER FOR A SPOOL

Pete C. Axcell, Los Angeles, Calif.

Application November 15, 1955, Serial No. 38,892

Term of patent 14 years

(Cl. D41-1)

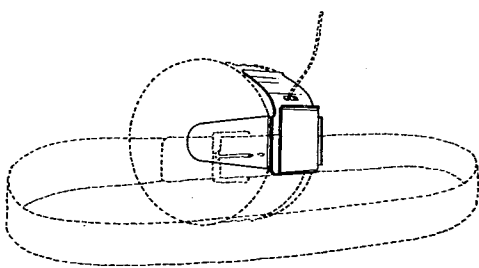


FIG. 1

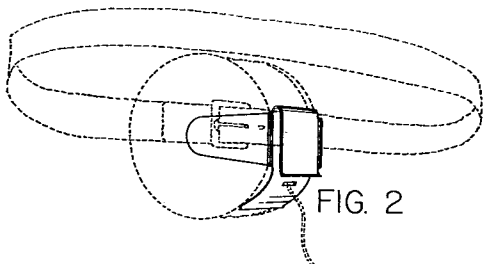


FIG. 2

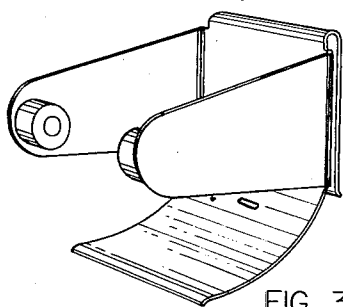


FIG. 3

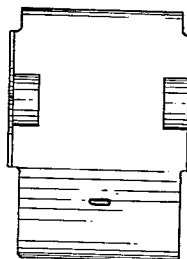


FIG. 4

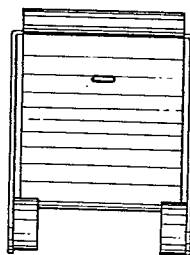


FIG. 5

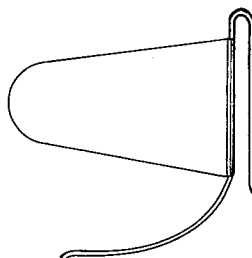


FIG. 6

Fig. 1 is a rear perspective view of a wire dispensing holder for a spool embodying my new design;

Fig. 2 is a rear perspective view thereof in inverted position;

Fig. 3 is a front perspective view of the holder for a spool in the position shown in Fig. 2;

Fig. 4 is a front elevational view of Fig. 3;

Fig. 5 is a top plan view of Fig. 4; and

Fig. 6 is a right side elevational view of Fig. 5.

The broken lines in Figs. 1 and 2 representing a belt, dispensing spool and fragmentary wire are for purpose of illustration only.

I claim:

The ornamental design for a wire dispensing holder for a spool, substantially as shown and described.

### References Cited in the file of this patent

#### UNITED STATES PATENTS

D. 176,610	Hubiak	Jan. 10, 1956
D. 176,703	Snively	Jan. 17, 1956
428,464	Crowder	May 20, 1890
551,040	Morgan	Dec. 10, 1895
2,064,862	Szabo	Dec. 22, 1936