

(19) World Intellectual Property Organization  
International Bureau



(43) International Publication Date  
9 November 2006 (09.11.2006)

PCT

(10) International Publication Number  
**WO 2006/119139 A3**

(51) International Patent Classification:  
A61B 17/32 (2006.01) A61B 17/28 (2006.01)

(21) International Application Number:  
PCT/US2006/016519

(22) International Filing Date: 28 April 2006 (28.04.2006)

(25) Filing Language: English

(26) Publication Language: English

(30) Priority Data:  
60/676,645 29 April 2005 (29.04.2005) US  
60/717,074 14 September 2005 (14.09.2005) US

(71) Applicant (for all designated States except US): **BOVIE MEDICAL CORPORATION** [US/US]; 734 Walt Whitman Rd., Melville, New York 11747 (US).

(72) Inventor; and

(75) Inventor/Applicant (for US only): **LIVNEH, Steve** [CA/CA]; 440 Dalhousie Street, Amherstburg, Ontario N9V 1X3 (CA).

(74) Agents: **SADOWSKI, Jeffrey, A.** et al.; Howard & Howard Attorneys, P.C., 39400 Woodward Avenue, Suite 101, Bloomfield, Michigan 48304-5151 (US).

(81) Designated States (unless otherwise indicated, for every kind of national protection available): AE, AG, AL, AM,

AT, AU, AZ, BA, BB, BG, BR, BW, BY, BZ, CA, CH, CN, CO, CR, CU, CZ, DE, DK, DM, DZ, EC, EE, EG, ES, FI, GB, GD, GE, GH, GM, HR, HU, ID, IL, IN, IS, JP, KE, KG, KM, KN, KP, KR, KZ, LC, LK, LR, LS, LT, LU, LV, LY, MA, MD, MG, MK, MN, MW, MX, MZ, NA, NG, NI, NO, NZ, OM, PG, PH, PL, PT, RO, RU, SC, SD, SE, SG, SK, SL, SM, SY, TJ, TM, TN, TR, TT, TZ, UA, UG, US, UZ, VC, VN, YU, ZA, ZM, ZW.

(84) Designated States (unless otherwise indicated, for every kind of regional protection available): ARIPO (BW, GH, GM, KE, LS, MW, MZ, NA, SD, SL, SZ, TZ, UG, ZM, ZW), Eurasian (AM, AZ, BY, KG, KZ, MD, RU, TJ, TM), European (AT, BE, BG, CH, CY, CZ, DE, DK, EE, ES, FI, FR, GB, GR, HU, IE, IS, IT, LT, LU, LV, MC, NL, PL, PT, RO, SE, SI, SK, TR), OAPI (BF, BJ, CF, CG, CI, CM, GA, GN, GQ, GW, ML, MR, NE, SN, TD, TG).

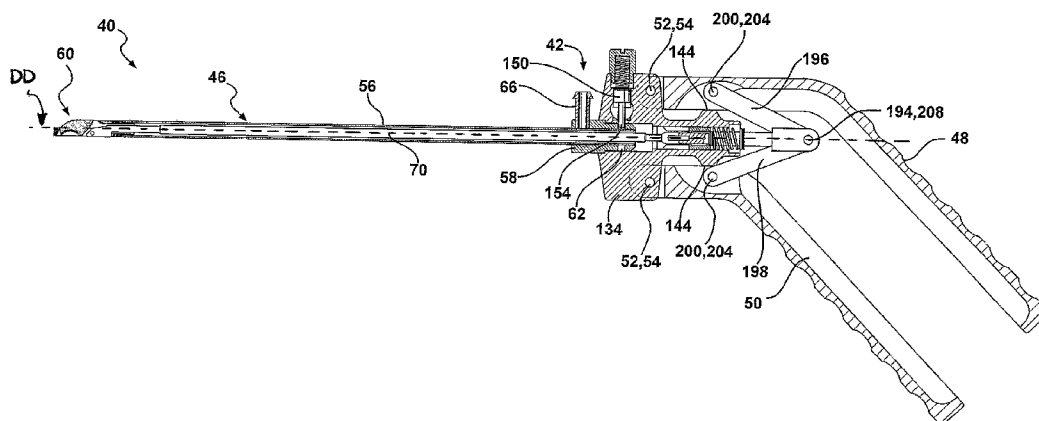
**Published:**

- with international search report
- before the expiration of the time limit for amending the claims and to be republished in the event of receipt of amendments

(88) Date of publication of the international search report:  
11 January 2007

For two-letter codes and other abbreviations, refer to the "Guidance Notes on Codes and Abbreviations" appearing at the beginning of each regular issue of the PCT Gazette.

(54) Title: FORCEPS FOR PERFORMING ENDOSCOPIC OR ARTHROSCOPIC SURGERY



(57) Abstract: Forceps for performing endoscopic or arthroscopic surgery include a body assembly, a tube assembly, and a pair of handles that pivot with respect to the body. The tube assembly is removably attached to the body assembly. The tube assembly includes a hollow tube and a tip assembly. The tip assembly includes a blade for performing the surgery. The tip assembly and the blade are connected to the body and the handles by a cable. As the handles pivot, the cable slides within the tube to move the blade. When a different tube assembly or another style of tip assembly are desired, the installed one is removed and replaced by a new tube assembly or tip assembly as desired.



WO 2006/119139 A3

INTERNATIONAL SEARCH REPORT

International application No  
PCT/US2006/016519

A. CLASSIFICATION OF SUBJECT MATTER  
INV. A61B17/32 A61B17/28

According to International Patent Classification (IPC) or to both national classification and IPC

B. FIELDS SEARCHED

Minimum documentation searched (classification system followed by classification symbols)  
A61B

Documentation searched other than minimum documentation to the extent that such documents are included in the fields searched

Electronic data base consulted during the international search (name of data base and, where practical, search terms used)  
EPO-Internal

C. DOCUMENTS CONSIDERED TO BE RELEVANT

Category*	Citation of document, with indication, where appropriate, of the relevant passages	Relevant to claim No.
X	DE 197 13 067 A1 (KATZ MEDIZINTECHNIK, 78532 TUTTLINGEN, DE; KATZ MEDIZINTECHNIK) 22 October 1998 (1998-10-22)	1,26
A	abstract; figures column 5, line 9 - column 8, line 36 -----	2-25
X	US 5 395 375 A (TURKEL DAVID [US] ET AL) 7 March 1995 (1995-03-07) the whole document -----	26
X	US 5 683 359 A (FARKAS LASZLO [US] ET AL) 4 November 1997 (1997-11-04) abstract; figures column 4, line 56 - column 6, line 64 ----- -/--	26

Further documents are listed in the continuation of Box C.

See patent family annex.

\* Special categories of cited documents :

- \*A\* document defining the general state of the art which is not considered to be of particular relevance
- \*E\* earlier document but published on or after the international filing date
- \*L\* document which may throw doubts on priority claim(s) or which is cited to establish the publication date of another citation or other special reason (as specified)
- \*O\* document referring to an oral disclosure, use, exhibition or other means
- \*P\* document published prior to the international filing date but later than the priority date claimed

- \*T\* later document published after the international filing date or priority date and not in conflict with the application but cited to understand the principle or theory underlying the invention
- \*X\* document of particular relevance; the claimed invention cannot be considered novel or cannot be considered to involve an inventive step when the document is taken alone
- \*Y\* document of particular relevance; the claimed invention cannot be considered to involve an inventive step when the document is combined with one or more other such documents, such combination being obvious to a person skilled in the art.
- \*&\* document member of the same patent family

Date of the actual completion of the international search

12 October 2006

Date of mailing of the international search report

30/10/2006

Name and mailing address of the ISA/  
European Patent Office, P.B. 5818 Patentlaan 2  
NL - 2280 HV Rijswijk  
Tel. (+31-70) 340-2040, Tx. 31 651 epo nl,  
Fax: (+31-70) 340-3016

Authorized officer

Lager, Johan

## INTERNATIONAL SEARCH REPORT

International application No  
PCT/US2006/016519

C(Continuation). DOCUMENTS CONSIDERED TO BE RELEVANT

Category*	Citation of document, with indication, where appropriate, of the relevant passages	Relevant to claim No.
A	US 6 280 458 B1 (BOCHE HARTMUT ET AL) 28 August 2001 (2001-08-28) column 9, line 8 - column 13, line 45; figures -----	1-26
A	US 5 562 655 A (MITTELSTADT ET AL) 8 October 1996 (1996-10-08) figures column 3, lines 3-39 column 5, line 27 - column 6, line 39 column 7, line 44 - column 10, line 26 column 12, lines 43-56 -----	1-26
A	US 6 117 158 A (MEASAMER ET AL) 12 September 2000 (2000-09-12) figures column 1, lines 5-9 column 5, line 43 - column 8, line 20 -----	1-26

# INTERNATIONAL SEARCH REPORT

International application No.  
PCT/US2006/016519

## Box II Observations where certain claims were found unsearchable (Continuation of item 2 of first sheet)

This International Search Report has not been established in respect of certain claims under Article 17(2)(a) for the following reasons:

1.  Claims Nos.:  
because they relate to subject matter not required to be searched by this Authority, namely:
  
2.  Claims Nos.:  
because they relate to parts of the International Application that do not comply with the prescribed requirements to such an extent that no meaningful International Search can be carried out, specifically:
  
3.  Claims Nos.:  
because they are dependent claims and are not drafted in accordance with the second and third sentences of Rule 6.4(a).

## Box III Observations where unity of invention is lacking (Continuation of item 3 of first sheet)

This International Searching Authority found multiple inventions in this international application, as follows:

see additional sheet

1.  As all required additional search fees were timely paid by the applicant, this International Search Report covers all searchable claims.
  
2.  As all searchable claims could be searched without effort justifying an additional fee, this Authority did not invite payment of any additional fee.
  
3.  As only some of the required additional search fees were timely paid by the applicant, this International Search Report covers only those claims for which fees were paid, specifically claims Nos.:
  
4.  No required additional search fees were timely paid by the applicant. Consequently, this International Search Report is restricted to the invention first mentioned in the claims; it is covered by claims Nos.:

### Remark on Protest

- The additional search fees were accompanied by the applicant's protest.
- No protest accompanied the payment of additional search fees.

**FURTHER INFORMATION CONTINUED FROM PCT/ISA/ 210**

This International Searching Authority found multiple (groups of) inventions in this international application, as follows:

1. claims: 1-24

A body assembly for retaining an adapter of a tube assembly  
---

2. claim: 25

A body assembly comprising a grabbing assembly for grasping  
and releasing a retainer.  
---

3. claim: 26

A tip assembly for attachment to a body assembly.  
---

# INTERNATIONAL SEARCH REPORT

Information on patent family members

International application No

PCT/US2006/016519

Patent document cited in search report	Publication date	Patent family member(s)	Publication date
DE 19713067	A1	22-10-1998	NONE
US 5395375	A	07-03-1995	NONE
US 5683359	A	04-11-1997	NONE
US 6280458	B1	28-08-2001	NONE
US 5562655	A	08-10-1996	CA 2173997 A1 22-02-1996 DE 69534512 D1 17-11-2005 DE 69534512 T2 20-07-2006 EP 0723426 A1 31-07-1996 ES 2247592 T3 01-03-2006 WO 9604856 A2 22-02-1996
US 6117158	A	12-09-2000	AU 767258 B2 06-11-2003 AU 4508900 A 11-01-2001 CA 2313424 A1 07-01-2001 DE 60023068 D1 17-11-2005 DE 60023068 T2 27-07-2006 EP 1066797 A1 10-01-2001 ES 2248020 T3 16-03-2006 JP 2001046384 A 20-02-2001