



US00D342483S

United States Patent [19]
Bergeron et al.

[11] **Patent Number: Des. 342,483**
[45] **Date of Patent: ** Dec. 21, 1993**

[54] **WORKSHOP MICROCOMPUTER**
[75] **Inventors: Luc Bergeron, Lausanne; Claude Dupraz, Geneva, both of Switzerland**
[73] **Assignee: Genex S.A., Chene-Bourg, Switzerland**
[**] **Term: 14 Years**
[21] **Appl. No.: 691,321**
[22] **Filed: Apr. 26, 1991**

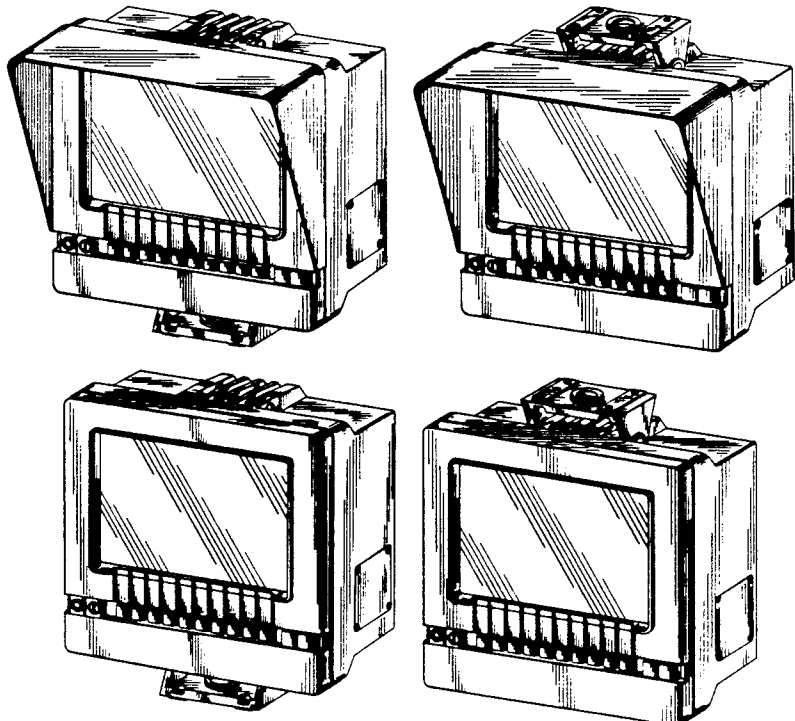
[30] **Foreign Application Priority Data**
Oct. 26, 1990 [CH] Switzerland 118622
[52] **U.S. Cl. D14/100**
[58] **Field of Search D14/100, 101, 106, 113, D14/115, 124-127; D18/1, 7, 11, 12; 235/145 A, 145 R, 380; 340/700, 706; 361/390, 394**

[56] **References Cited**
U.S. PATENT DOCUMENTS
D. 274,059 5/1984 Hall et al. D14/106 X
D. 303,255 9/1989 Bratasevec D14/113
D. 312, 821 12/1990 Kemp D14/100
4,294,496 10/1981 Murez D14/106 X
4,577,068 3/1986 Kelly et al. D14/101 X
4,816,655 3/1989 Musyck et al. 235/380

Primary Examiner—Wallace R. Burke
Assistant Examiner—Freda S. Nunn
Attorney, Agent, or Firm—Nixon & Vanderhye

[57] **CLAIM**
The ornamental design for a workshop microcomputer, as shown and described.

DESCRIPTION
FIG. 1 is a front elevational view of a workshop microcomputer with a bottom mount and hood attached showing our new design;
FIG. 2 is a rear elevational view thereof;
FIG. 3 is a top plan view thereof;
FIG. 4 is a bottom plan view thereof;
FIGS. 5 and 6 are respective right and left side elevational views thereof;
FIG. 7 is a front elevational view of a second embodiment thereof with a top mount;
FIG. 8 is a rear elevational view thereof;
FIG. 9 is a top plan view thereof;
FIG. 10 is a bottom plan view thereof;
FIGS. 11 and 12 are respective right and left side elevational views thereof;
FIG. 13 is a top, front and right side perspective view of the embodiment illustrated in FIG. 1;
FIG. 14 is a top, front and right side perspective view of a third embodiment thereof with a top mount and hood attached thereto, the undisclosed view being similar in appearance to those of the second embodiment with the only difference being the attachment of the hood;
FIG. 15 is a top, front and side perspective view of a fourth embodiment thereof with a bottom mount, the undisclosed views being similar in appearance to those of the first embodiment with the only difference being the exclusion of the hood; and,
FIG. 16 is a top, front and side perspective view of the embodiment thereof illustrated in FIGS. 7-12.



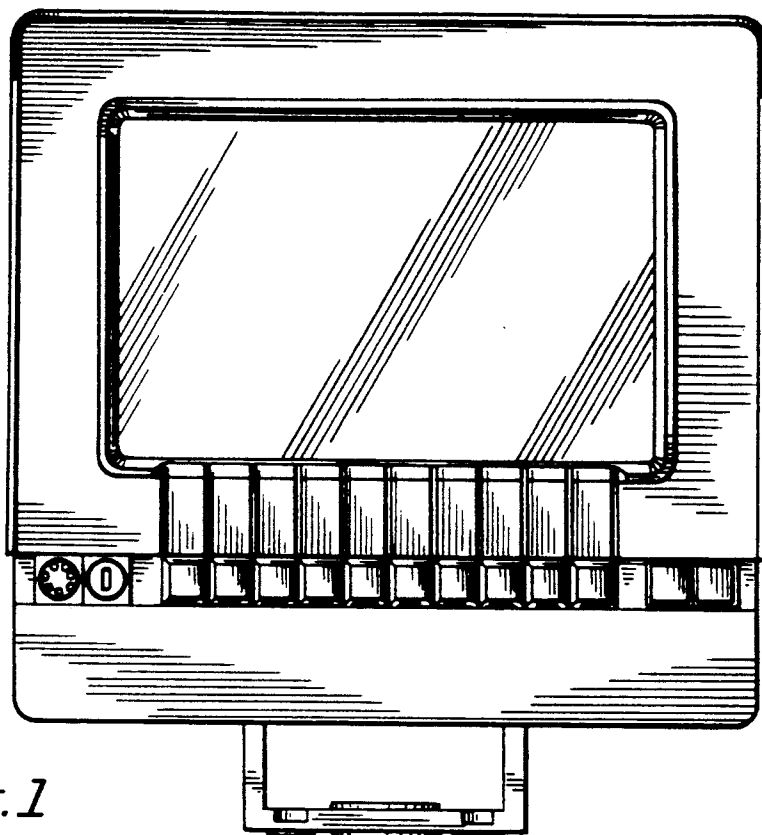


Fig. 1

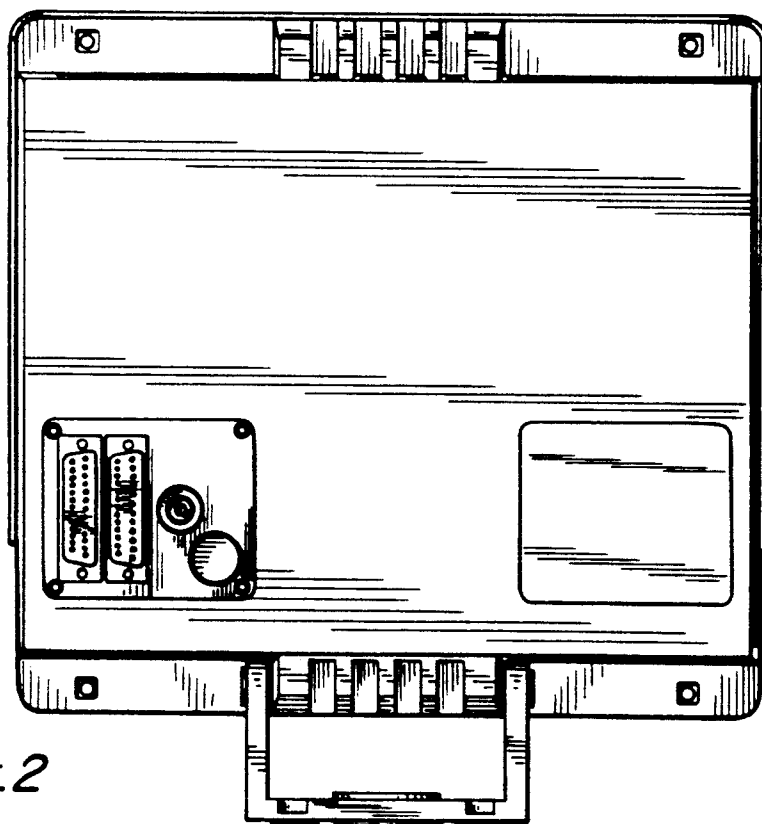


Fig. 2

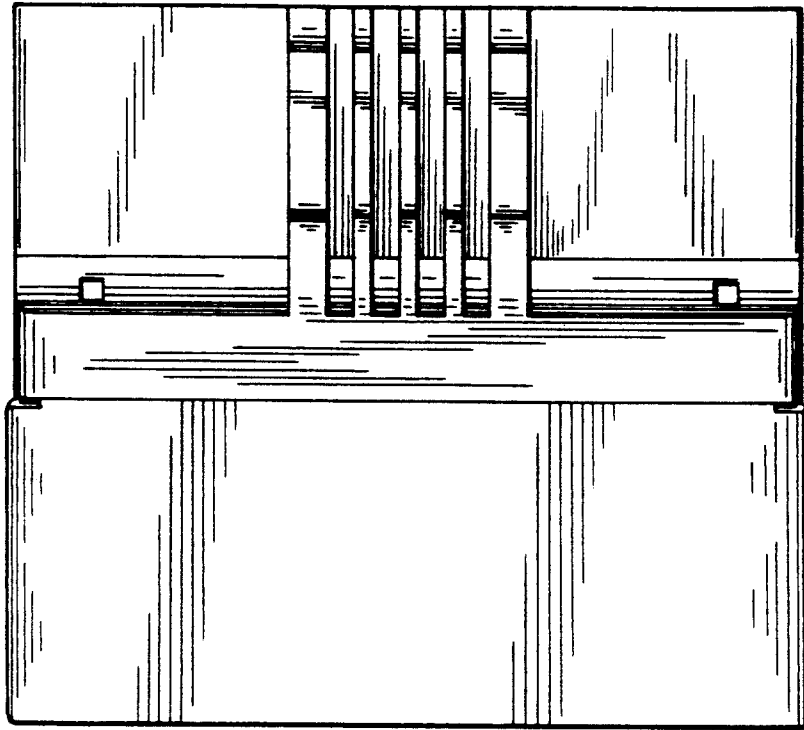


Fig. 3

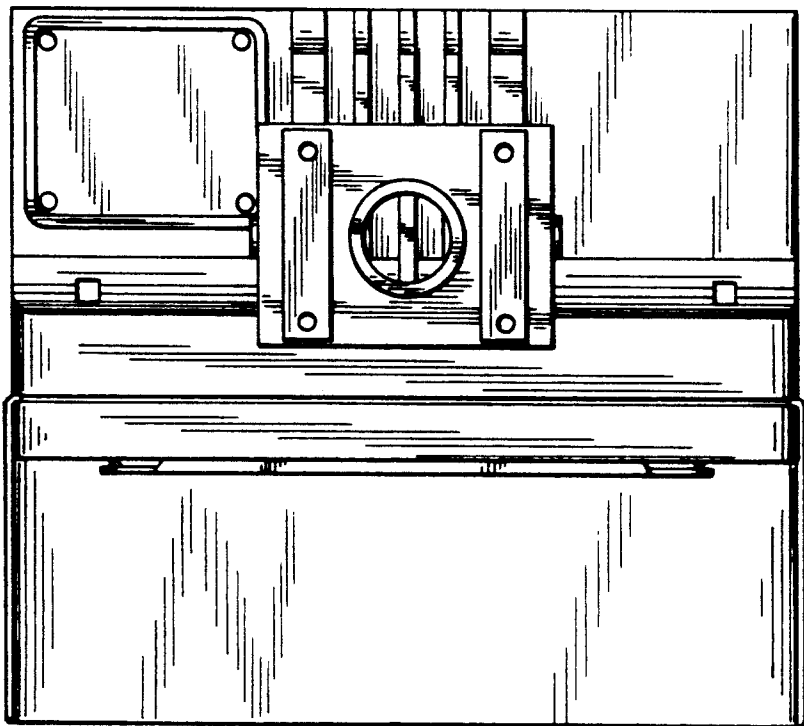


Fig. 4

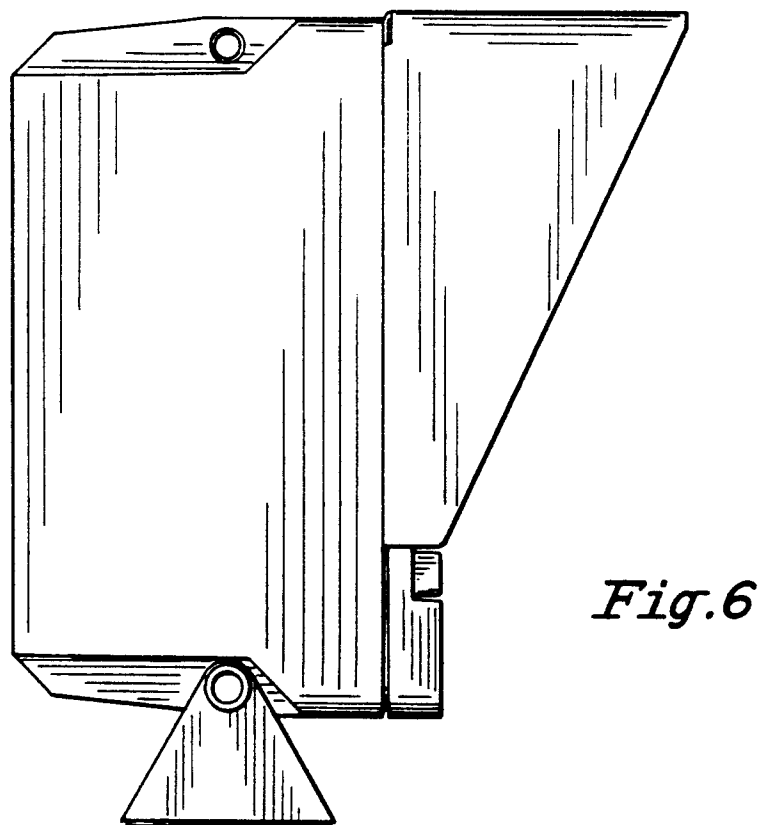
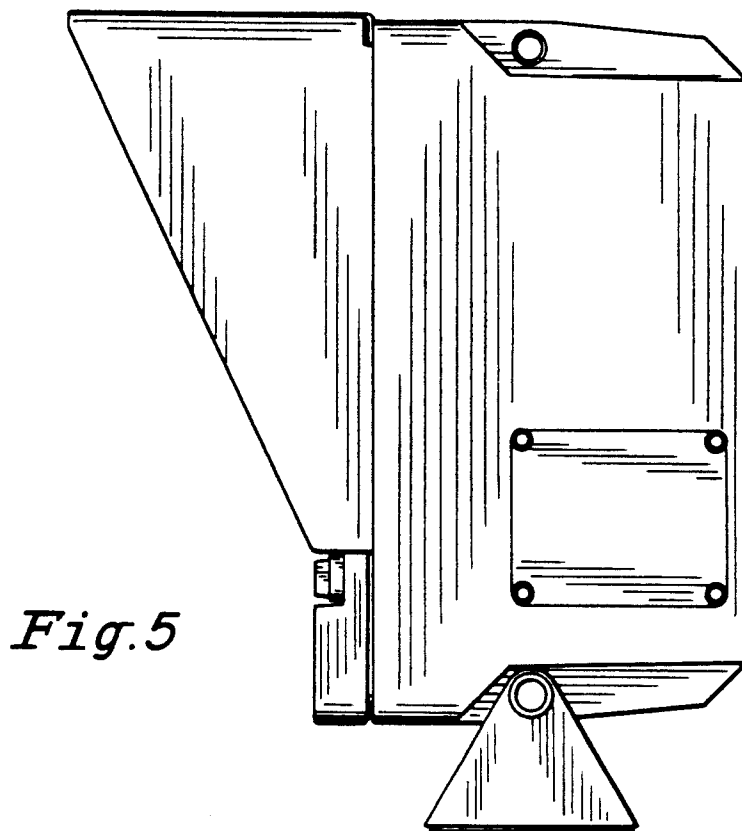


Fig.7

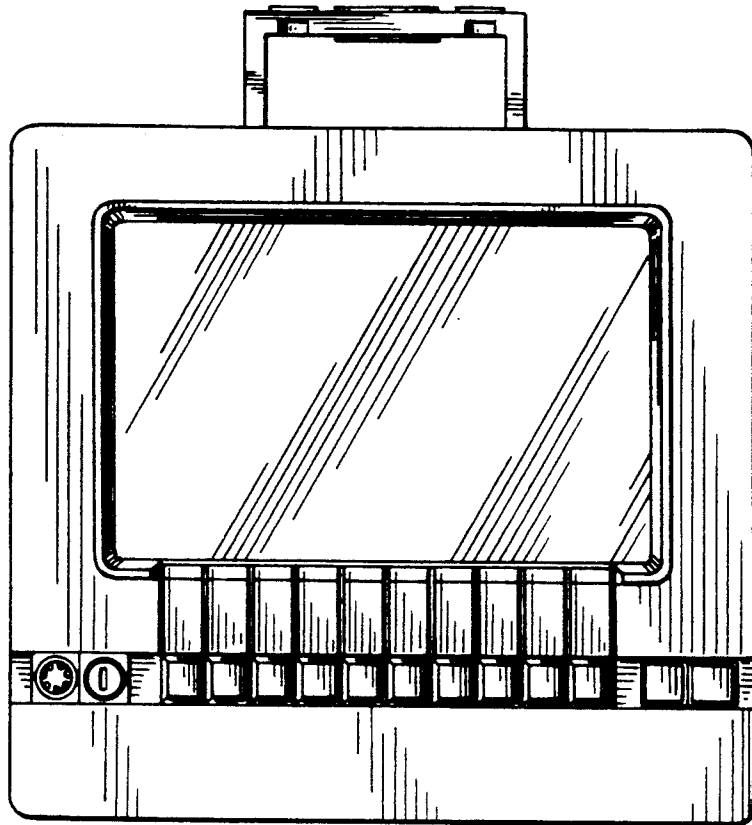
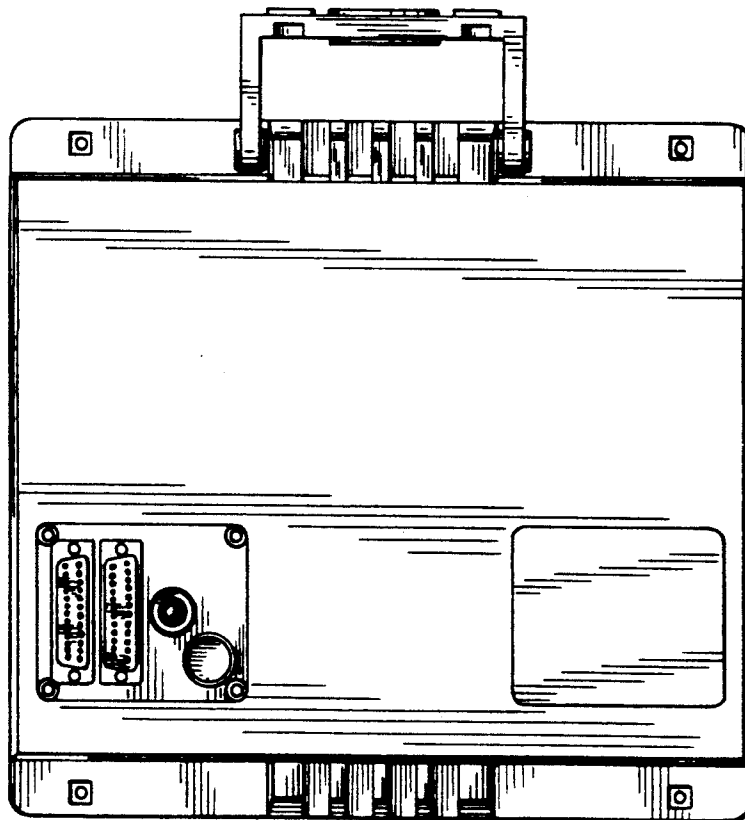


Fig.8



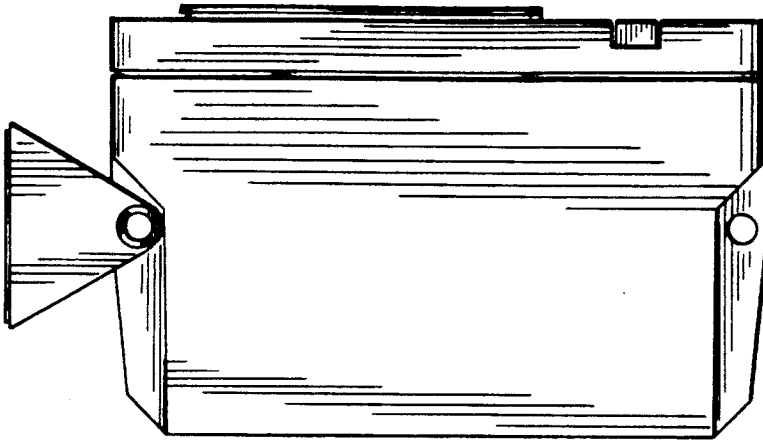


Fig. 12

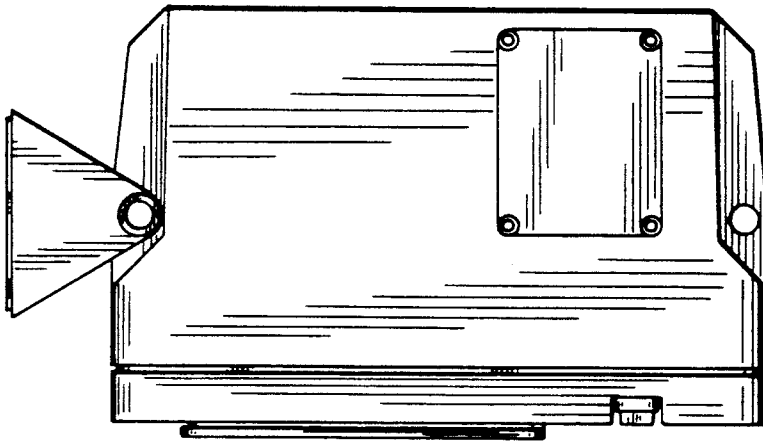


Fig. 11

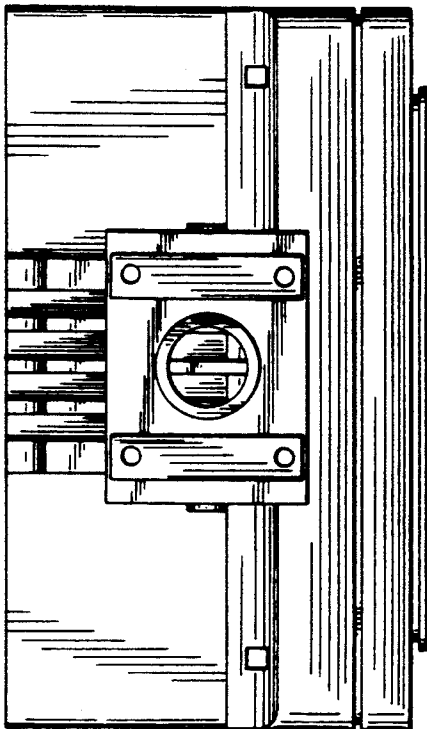


Fig. 9

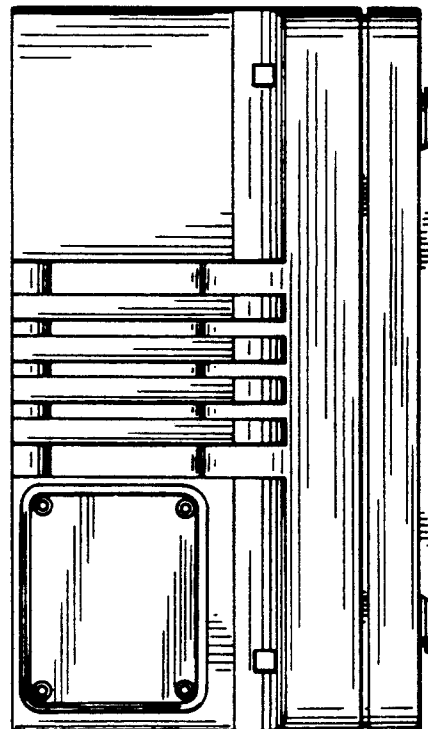


Fig. 10

Fig.13

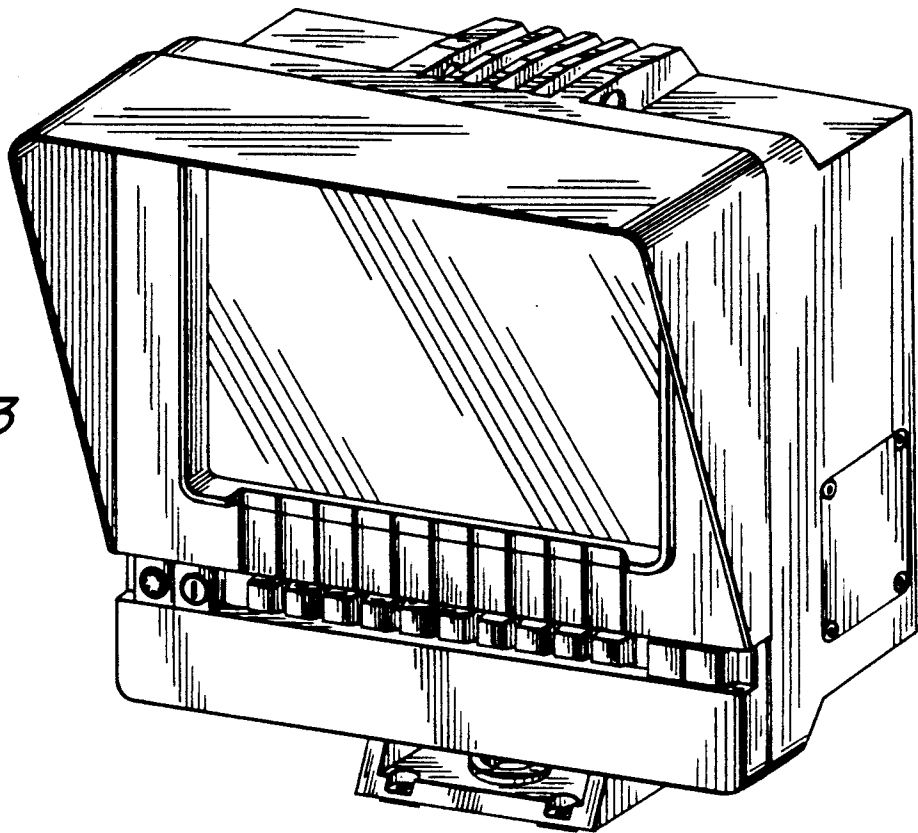


Fig.14

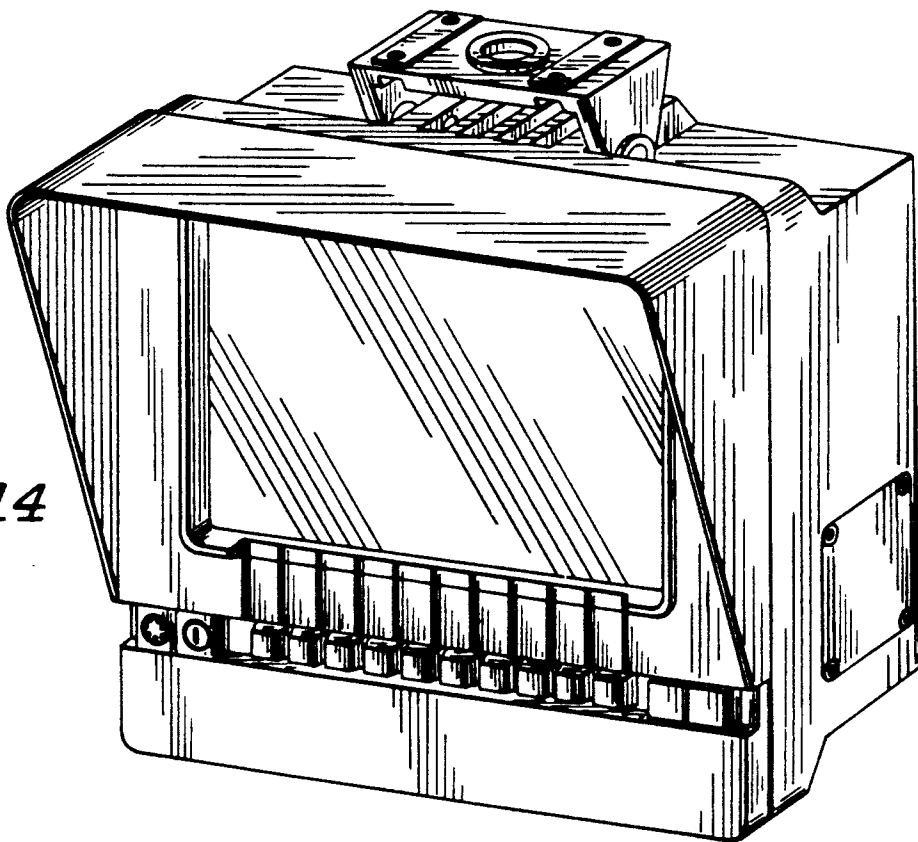


Fig.15

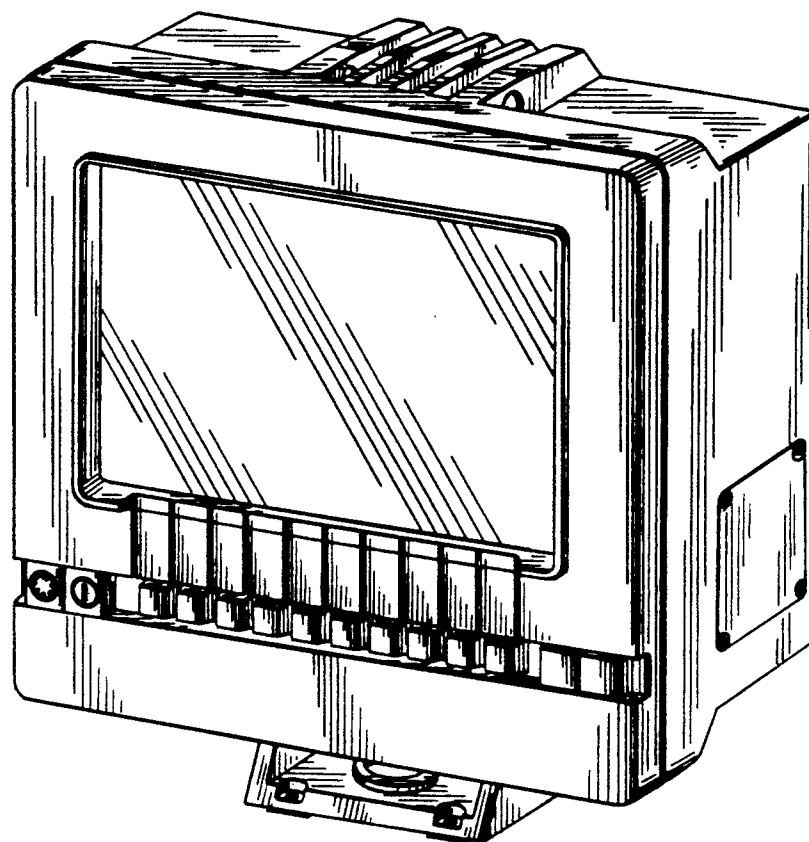


Fig.16

