



US00D854650S

(12) **United States Design Patent**  
**Hellman et al.**

(10) **Patent No.:** **US D854,650 S**

(45) **Date of Patent:** **\*\* Jul. 23, 2019**

(54) **OIL FILTER**

RE32,620 E 3/1988 Iwai  
4,903,654 A 2/1990 Sato et al.  
D317,040 S 5/1991 Petrucci et al.

(Continued)

(71) Applicant: **Briggs & Stratton Corporation**,  
Wauwatosa, WI (US)

(72) Inventors: **Adam J. Hellman**, Bayside, WI (US);  
**John Schneider**, Muskego, WI (US)

FOREIGN PATENT DOCUMENTS

DE 10 2006 017 924 A1 10/2007  
EP 0 752 518 A1 1/1997

(Continued)

(73) Assignee: **Briggs & Stratton Corporation**,  
Wauwatosa, WI (US)

(\*\*) Term: **15 Years**

OTHER PUBLICATIONS

(21) Appl. No.: **29/617,887**

International Search Report and Written Opinion, PCT/US2016/058909, Briggs & Stratton Corporation, 12 pages (dated Jan. 31, 2017).

(22) Filed: **Sep. 15, 2017**

*Primary Examiner* — Robin V Webster

(51) **LOC (11) Cl.** ..... **23-01**

(74) *Attorney, Agent, or Firm* — Foley & Lardner LLP

(52) **U.S. Cl.**

(57) **CLAIM**

USPC ..... **D23/209**

(58) **Field of Classification Search**

We claim the ornamental design for an oil filter, as shown and described.

USPC ..... 210/435; D23/207, 209

CPC ..... B01D 27/08; B01D 27/00; B01D 35/30;

B01D 35/00; B01D 35/153; B01D

2201/12; C02F 1/003; C02F 2307/04

See application file for complete search history.

**DESCRIPTION**

(56) **References Cited**

FIG. 1 is a front perspective view from above of an oil filter, according to the claimed design;

FIG. 2 is a front perspective view from below of the claimed design of FIG. 1;

FIG. 3 is a front view of the claimed design of FIG. 1;

FIG. 4 is a rear view of the claimed design of FIG. 1;

FIG. 5 is a right side view of the claimed design of FIG. 1;

FIG. 6 is a left side view of the claimed design of FIG. 1;

FIG. 7 is a top view of the claimed design of FIG. 1; and,

FIG. 8 is a bottom view of the claimed design of FIG. 1.

One exemplary use of an oil filter embodying one or more of the ornamental designs shown or described herein is as an oil filter for use in a small internal combustion engine.

Any portion of the article depicted in broken lines forms no part of the claimed design.

U.S. PATENT DOCUMENTS

2,106,218 A \* 1/1938 Kriek ..... B01D 29/072  
210/130

2,322,463 A 6/1943 McDonald

2,621,796 A \* 12/1952 Wilkinson ..... B01D 27/08  
210/249

3,950,251 A 4/1976 Hiller

4,151,823 A 5/1979 Grosse et al.

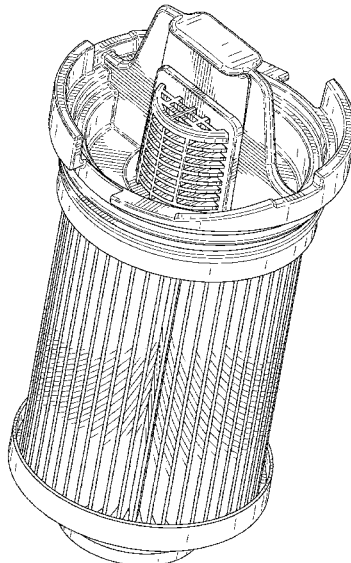
4,353,163 A 10/1982 Overbury et al.

4,560,477 A \* 12/1985 Moldow ..... B01D 29/21  
210/457

4,681,189 A 7/1987 Krisiloff

4,724,806 A 2/1988 Hartwig

**1 Claim, 7 Drawing Sheets**



# US D854,650 S

Page 2

(56)

## References Cited

### U.S. PATENT DOCUMENTS

5,031,591 A 7/1991 Shinoda et al.  
5,035,797 A \* 7/1991 Janik ..... B01D 27/08  
210/232  
5,112,476 A 5/1992 Cote et al.  
5,568,842 A 10/1996 Otani  
5,634,832 A 6/1997 Kogto et al.  
5,755,194 A 5/1998 Moorman et al.  
D403,740 S \* 1/1999 Kott ..... B01D 27/08  
D23/209  
5,979,392 A 11/1999 Moorman et al.  
6,032,635 A 3/2000 Moorman et al.  
6,048,455 A 4/2000 Janik  
6,230,680 B1 5/2001 Pirone  
6,305,342 B1 10/2001 Narita et al.  
D455,194 S 4/2002 Kurth et al.  
6,459,995 B1 10/2002 Collister  
D466,969 S \* 12/2002 Druga ..... B01D 35/153  
D23/209  
6,524,149 B1 2/2003 Yamaha et al.  
6,679,692 B1 1/2004 Feuling  
7,017,546 B1 3/2006 Patel et al.  
7,162,991 B2 1/2007 White et al.

7,174,876 B2 2/2007 Suzuki et al.  
7,188,601 B1 3/2007 Trease  
7,219,645 B2 5/2007 Lamb  
7,290,995 B2 11/2007 Ohnishi et al.  
7,648,565 B2 \* 1/2010 Clausen ..... B01D 19/0031  
96/4  
7,967,981 B2 6/2011 Talamali  
D646,750 S \* 10/2011 Salvador ..... D23/209  
8,028,672 B2 10/2011 Prior et al.  
D648,822 S \* 11/2011 Salvador ..... D23/209  
D717,912 S \* 11/2014 Huda ..... D23/209  
8,910,610 B2 12/2014 Thayer  
9,333,448 B2 \* 5/2016 Braunheim ..... B01D 35/153  
9,469,551 B2 10/2016 Sherman et al.  
9,597,616 B2 \* 3/2017 Blunt ..... B01D 27/08  
2009/0173580 A1 7/2009 Papas

### FOREIGN PATENT DOCUMENTS

EP 1 199 447 A1 4/2002  
EP 1 201 883 A2 5/2002  
JP 62-165016 A 7/1987  
JP 2008-115727 A 5/2008  
WO WO-95/20099 7/1995

\* cited by examiner

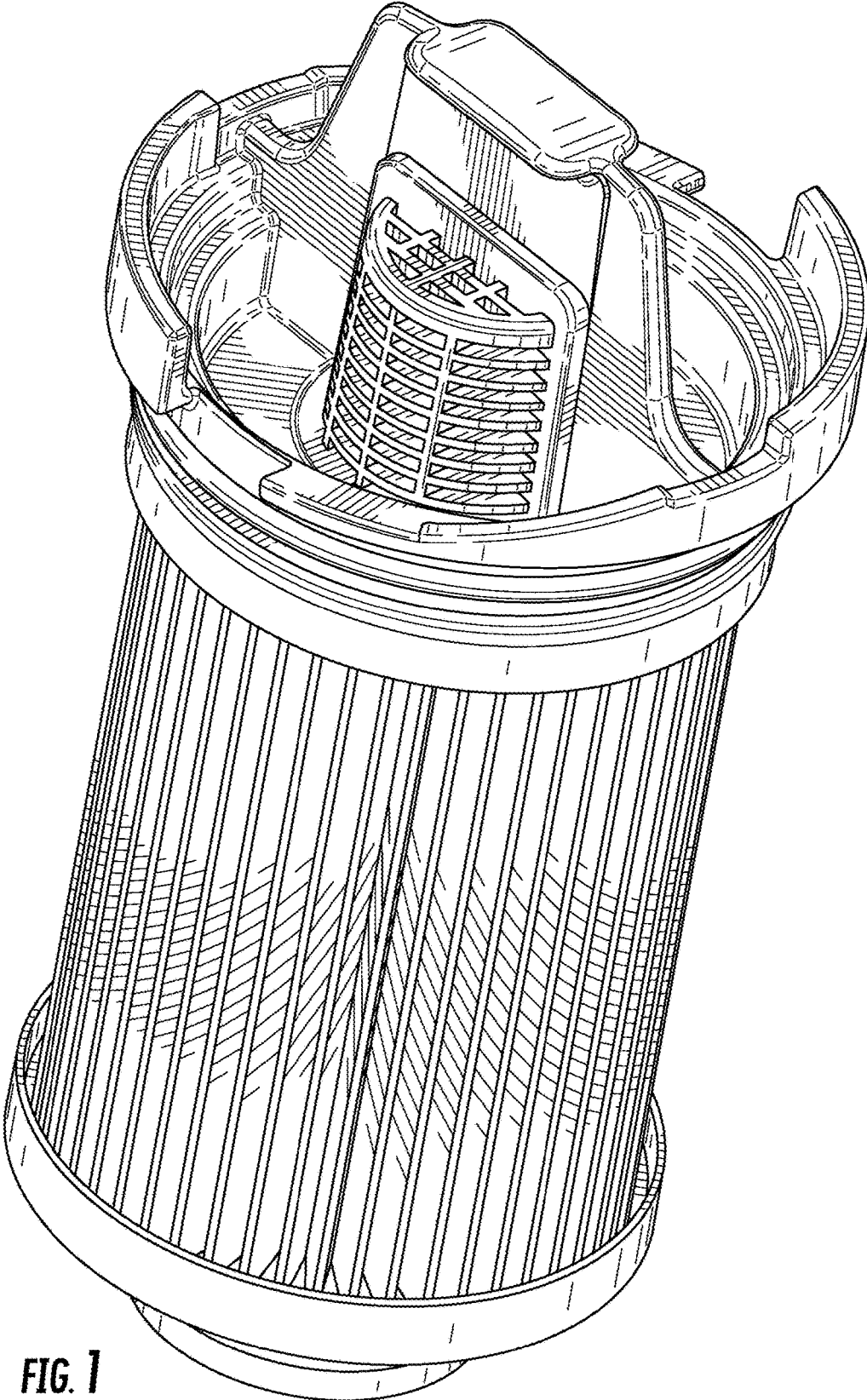


FIG. 1

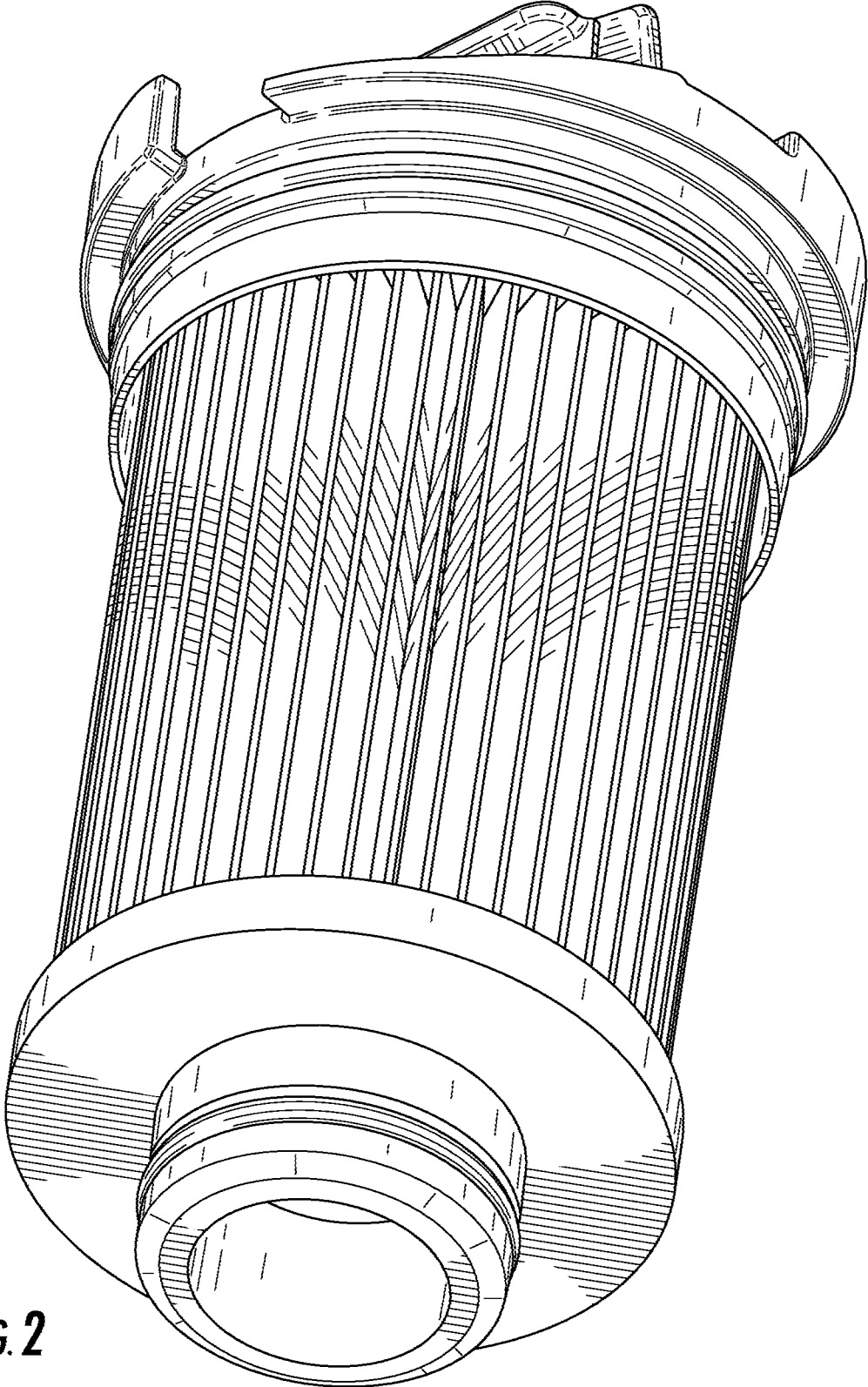
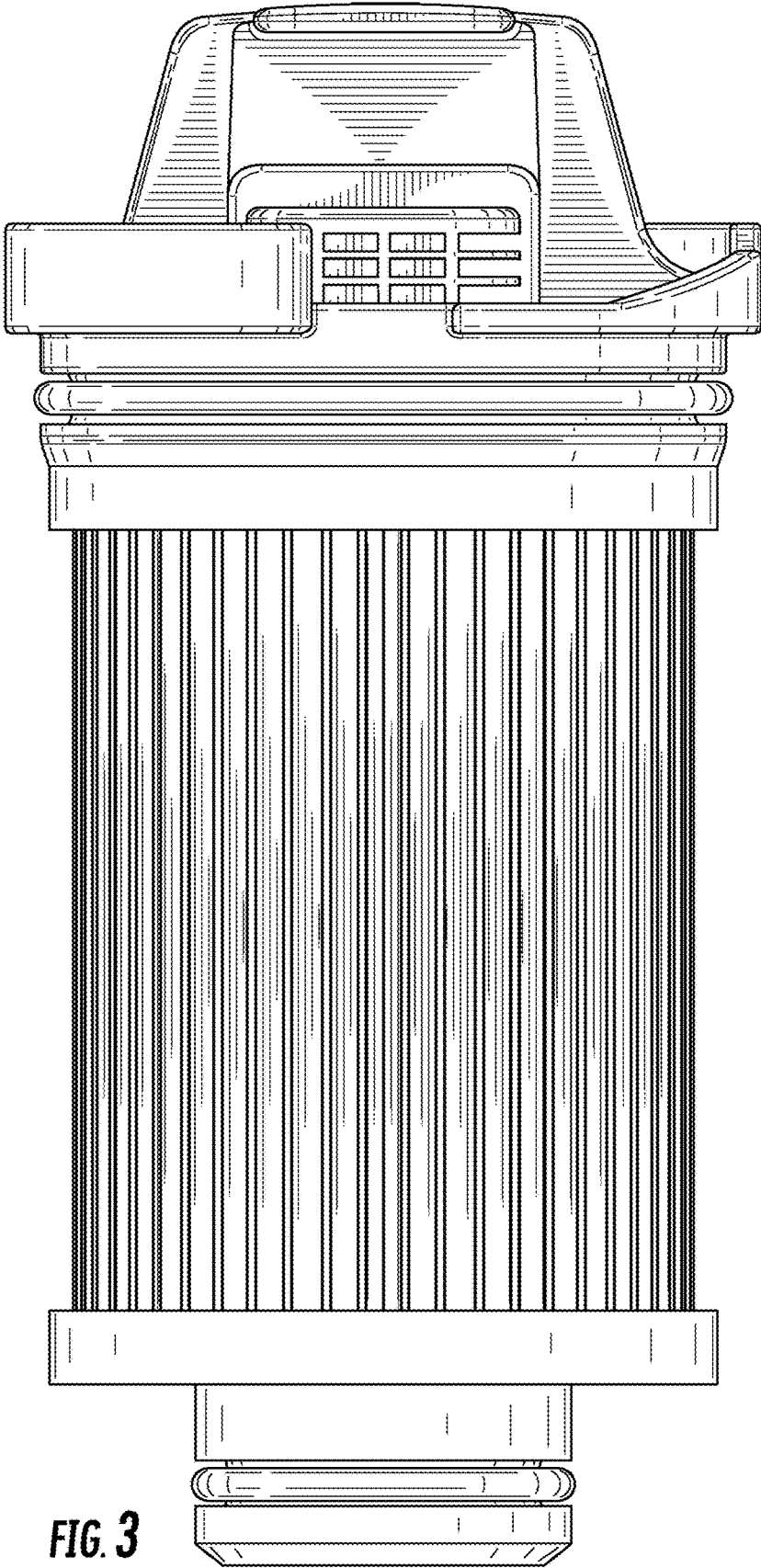


FIG. 2



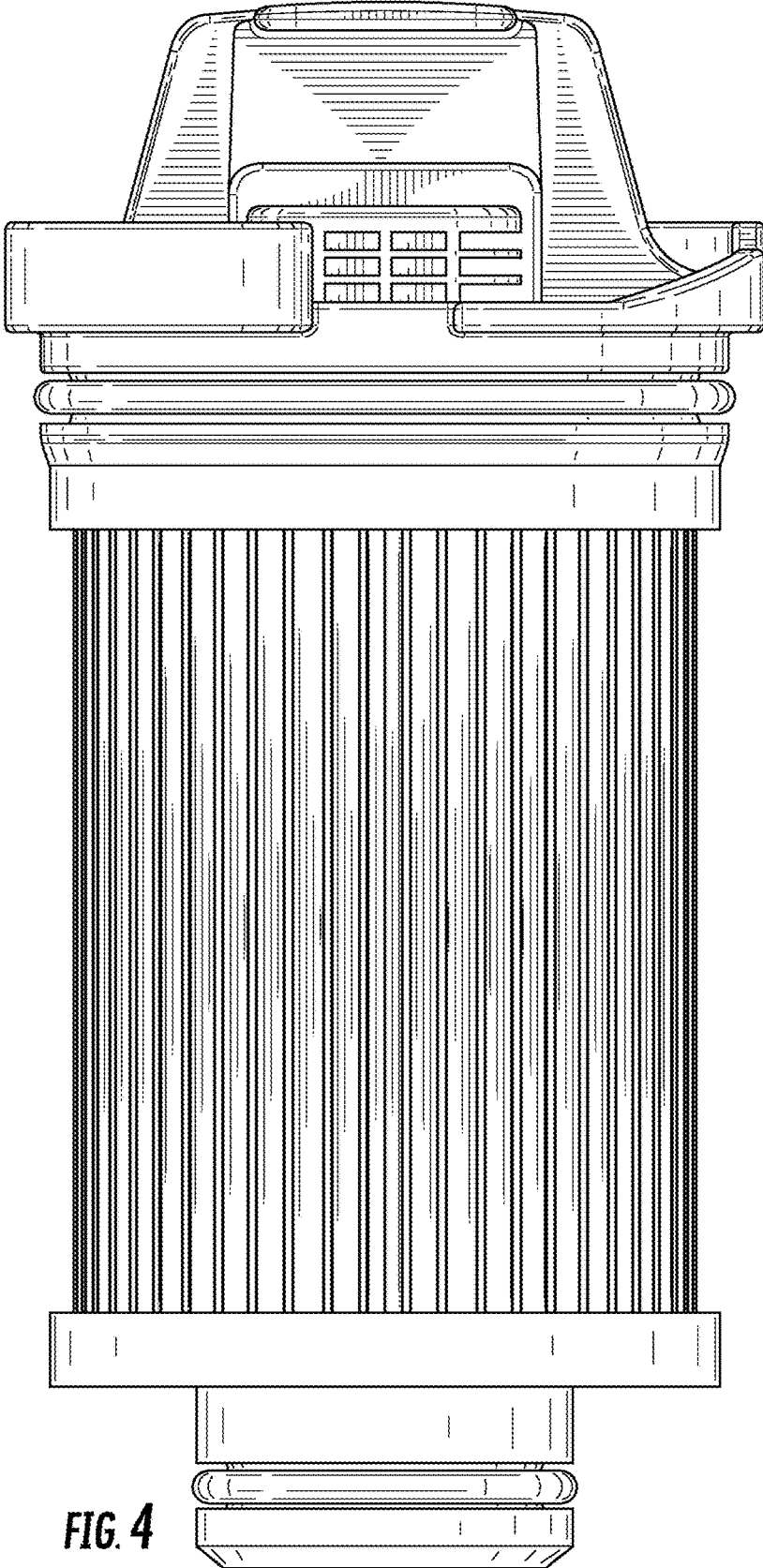
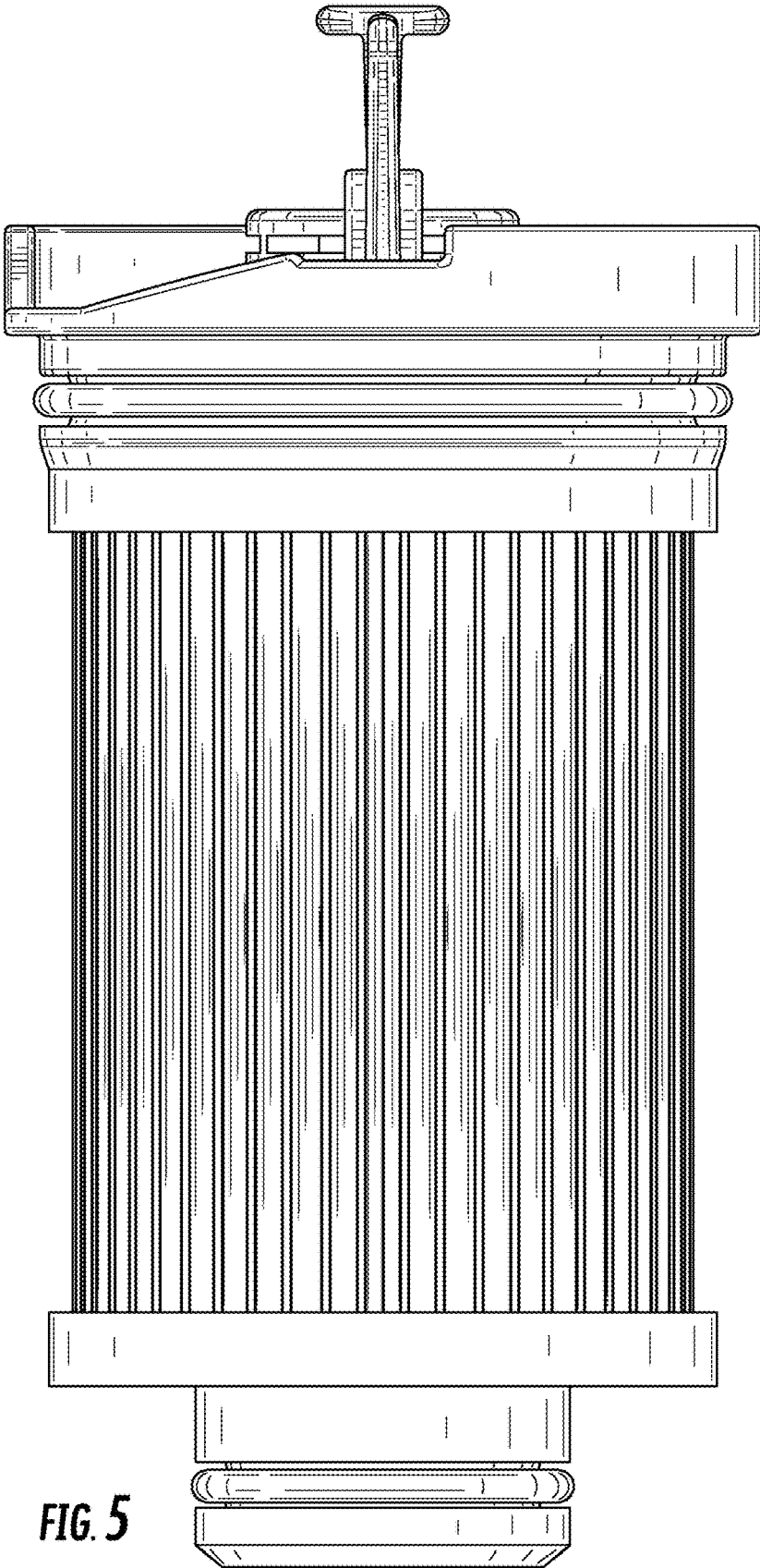


FIG. 4



**FIG. 5**

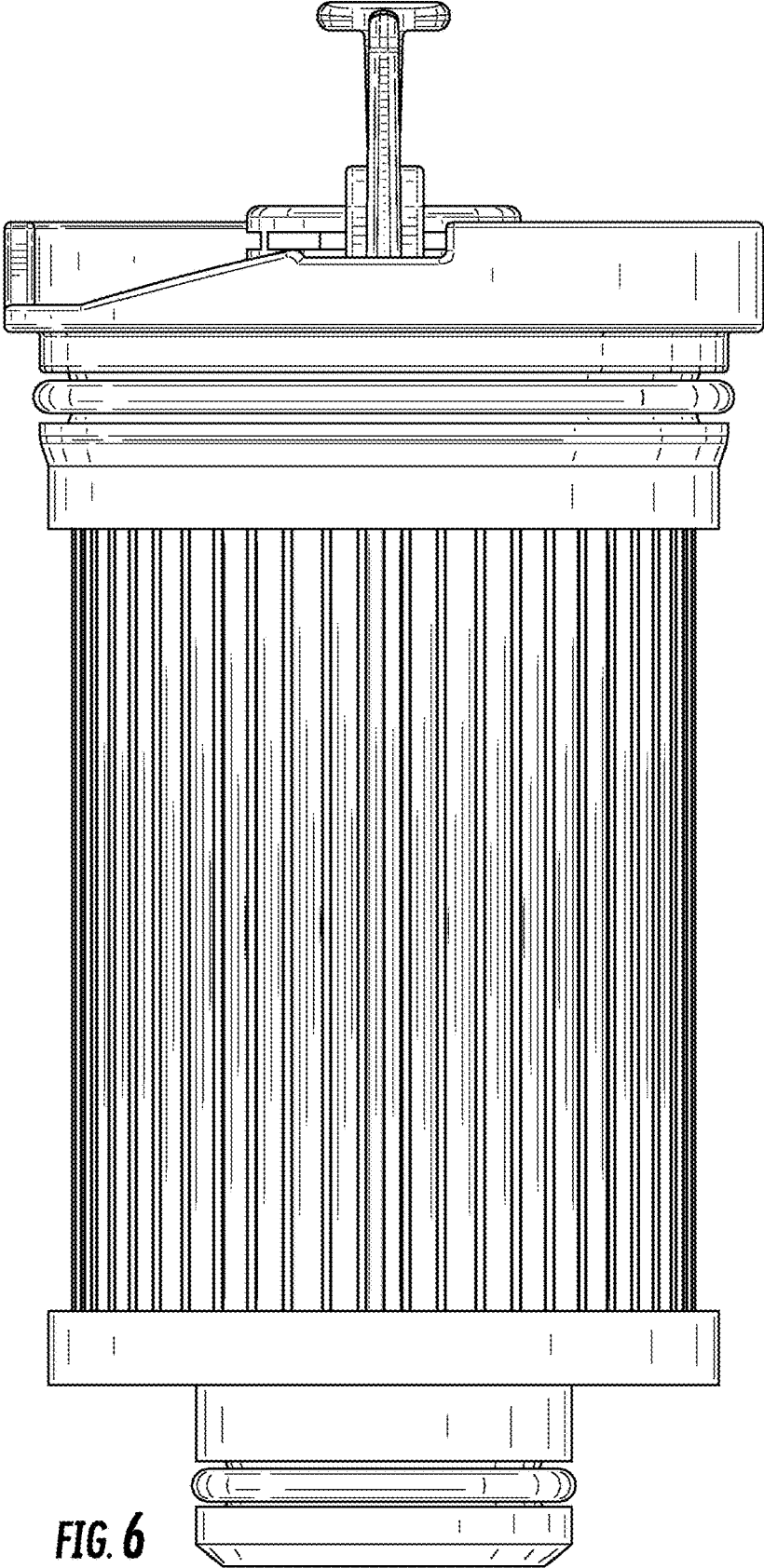
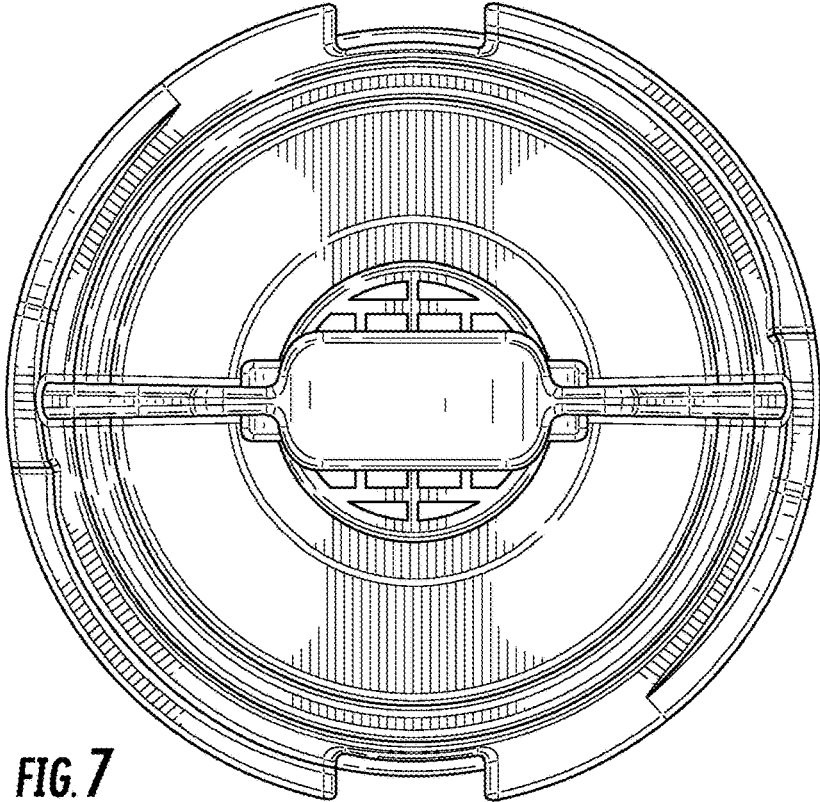
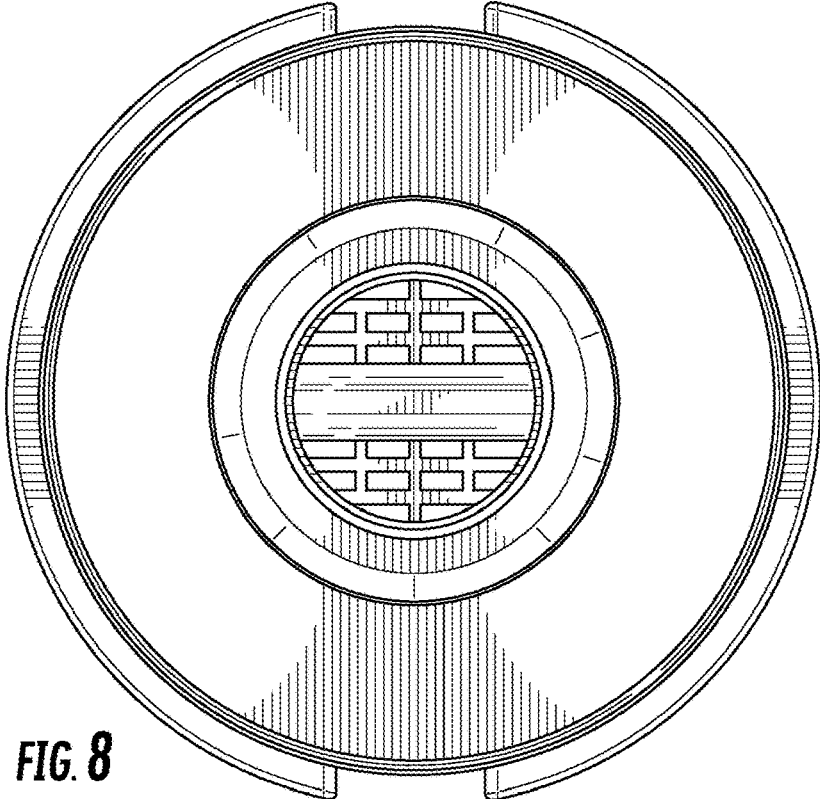


FIG. 6





**FIG. 7**



**FIG. 8**