

(19) World Intellectual Property
Organization
International Bureau



(43) International Publication Date
2 December 2004 (02.12.2004)

PCT

(10) International Publication Number
WO 2004/105193 A3

- (51) International Patent Classification⁷: H01R 12/16
- (21) International Application Number:
PCT/US2004/016216
- (22) International Filing Date: 21 May 2004 (21.05.2004)
- (25) Filing Language: English
- (26) Publication Language: English
- (30) Priority Data:
03263696.2 21 May 2003 (21.05.2003) CN

(81) Designated States (unless otherwise indicated, for every kind of national protection available): AE, AG, AL, AM, AT, AU, AZ, BA, BB, BG, BR, BW, BY, BZ, CA, CH, CN, CO, CR, CU, CZ, DE, DK, DM, DZ, EC, EE, EG, ES, FI, GB, GD, GE, GH, GM, HR, HU, ID, IL, IN, IS, JP, KE, KG, KP, KR, KZ, LC, LK, LR, LS, LT, LU, LV, MA, MD, MG, MK, MN, MW, MX, MZ, NA, NI, NO, NZ, OM, PG, PH, PL, PT, RO, RU, SC, SD, SE, SG, SK, SL, SY, TJ, TM, TN, TR, TT, TZ, UA, UG, US, UZ, VC, VN, YU, ZA, ZM, ZW.

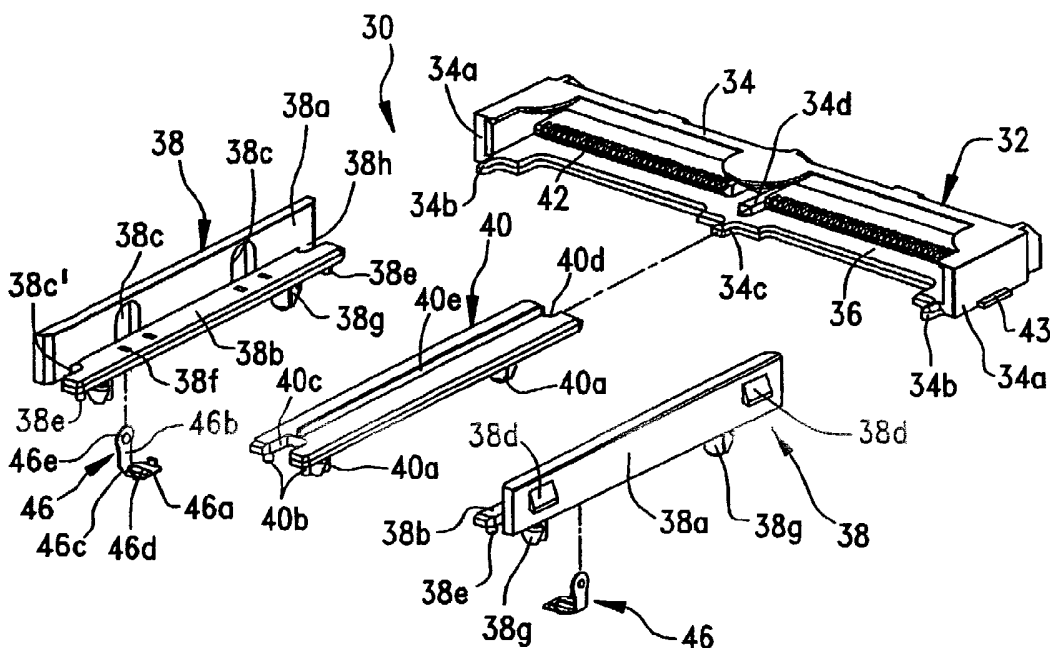
- (71) Applicant (for all designated States except US): MOLEX INCORPORATED [US/US]; 2222 Wellington Court, Lisle, IL 60532 (US).
- (72) Inventor; and
- (75) Inventor/Applicant (for US only): JIN, Hao, Qui [CN/CN]; Room 307, No. 8, Haifeng Road, Kunshan City, Jiangsu Province (CN).
- (74) Agent: CALDWELL, Stacey, E.; Molex Incorporated, 2222 Wellington Court, Lisle, IL 60532 (US).

(84) Designated States (unless otherwise indicated, for every kind of regional protection available): ARIPO (BW, GH, GM, KE, LS, MW, MZ, NA, SD, SL, SZ, TZ, UG, ZM, ZW), Eurasian (AM, AZ, BY, KG, KZ, MD, RU, TJ, TM), European (AT, BE, BG, CH, CY, CZ, DE, DK, EE, ES, FI, FR, GB, GR, HU, IE, IT, LU, MC, NL, PL, PT, RO, SE, SI, SK, TR), OAPI (BF, BJ, CF, CG, CI, CM, GA, GN, GQ, GW, ML, MR, NE, SN, TD, TG).

Published:
— with international search report

[Continued on next page]

(54) Title: MEMORY CARD CONNECTOR WITH IMPROVED HOUSING CONSTRUCTION





— *before the expiration of the time limit for amending the claims and to be republished in the event of receipt of amendments*

For two-letter codes and other abbreviations, refer to the "Guidance Notes on Codes and Abbreviations" appearing at the beginning of each regular issue of the PCT Gazette.

(88) Date of publication of the international search report:
7 April 2005

INTERNATIONAL SEARCH REPORT

International Application No
PCT/US2004/016216

A. CLASSIFICATION OF SUBJECT MATTER IPC 7 H01R12/16		
According to International Patent Classification (IPC) or to both national classification and IPC		
B. FIELDS SEARCHED		
Minimum documentation searched (classification system followed by classification symbols) IPC 7 H01R		
Documentation searched other than minimum documentation to the extent that such documents are included in the fields searched		
Electronic data base consulted during the international search (name of data base and, where practical, search terms used) EPO-Internal		
C. DOCUMENTS CONSIDERED TO BE RELEVANT		
Category "	Citation of document, with indication, where appropriate, of the relevant passages	Relevant to claim No.
X	EP 0 601 703 A (THE WHITAKER CORPORATION) 15 June 1994 (1994-06-15)	1-4
Y	page 3, column 2, line 54 - page 4, column 3, line 18; figure 1 -----	5-7,10,11
X	US 6 065 984 A (TUNG ET AL) 23 May 2000 (2000-05-23)	8
Y	column 2, line 49 - line 55; figure 3 -----	9
Y,P	WO 2004/019453 A1 (CISCO TECHNOLOGY, INC) 4 March 2004 (2004-03-04) page 5, paragraph 33; figure 4 -----	5-7,9-11
<input type="checkbox"/> Further documents are listed in the continuation of box C. <input checked="" type="checkbox"/> Patent family members are listed in annex.		
Special categories of cited documents :		
A document defining the general state of the art which is not considered to be of particular relevance *E* earlier document but published on or after the international filing date *L* document which may throw doubts on priority claim(s) or which is cited to establish the publication date of another citation or other special reason (as specified) *O* document referring to an oral disclosure, use, exhibition or other means *P* document published prior to the international filing date but later than the priority date claimed	*T* later document published after the international filing date or priority date and not in conflict with the application but cited to understand the principle or theory underlying the invention *X* document of particular relevance; the claimed invention cannot be considered novel or cannot be considered to involve an inventive step when the document is taken alone *Y* document of particular relevance; the claimed invention cannot be considered to involve an inventive step when the document is combined with one or more other such documents, such combination being obvious to a person skilled in the art. *&* document member of the same patent family	
Date of the actual completion of the international search	Date of mailing of the international search report	
2 February 2005	10/02/2005	
Name and mailing address of the ISA European Patent Office, P.B. 5818 Patentlaan 2 NL - 2280 HV Rijswijk Tel. (+31-70) 340-2040, Tx. 31 651 epo nl, Fax: (+31-70) 340-3016	Authorized officer Criqui, J-J	

INTERNATIONAL SEARCH REPORT

International Application No
PCT/US2004/016216

Patent document cited in search report		Publication date		Patent family member(s)		Publication date
EP 0601703	A	15-06-1994	US	5308251 A		03-05-1994
			US	5297966 A		29-03-1994
			CN	1088025 A		15-06-1994
			DE	69307482 D1		27-02-1997
			DE	69307482 T2		07-08-1997
			EP	0601703 A1		15-06-1994
			JP	3016058 B2		06-03-2000
			JP	6215834 A		05-08-1994
			US	5288247 A		22-02-1994
<hr/>						
US 6065984	A	23-05-2000	TW	385084 Y		11-03-2000
<hr/>						
WO 2004019453	A1	04-03-2004	US	6796843 B1		28-09-2004
<hr/>						