

(19) World Intellectual Property Organization  
International Bureau



(43) International Publication Date  
8 November 2007 (08.11.2007)

PCT

(10) International Publication Number  
WO 2007/125458 A3

- (51) International Patent Classification:  
H04N 7/26 (2006.01) H04N 7/50 (2006.01)
- (21) International Application Number:  
PCT/IB2007/051405
- (22) International Filing Date: 19 April 2007 (19.04.2007)
- (25) Filing Language: English
- (26) Publication Language: English
- (30) Priority Data:  
200610077155.0 27 April 2006 (27.04.2006) CN
- (71) Applicant (for all designated States except US): KONINKLIJKE PHILIPS ELECTRONICS N.V. [NL/NL]; Groenewoudseweg 1, NL-5621 BA Eindhoven (NL).
- (72) Inventors; and
- (75) Inventors/Applicants (for US only): KELLY, Declan Patrick [IE/CN]; Philips Electronics China, 21/F Kerry Office Building 218 Tian Mu, Xi Road, Shanghai 200070 (CN). WANG, Jin [CN/CN]; Philips Electronics China, 21/F Kerry Office Building 218 Tian Mu, Xi Road, Shanghai 200070 (CN). ZHANG, Daqing [CN/CN]; Philips Electronics China, 21/F Kerry Office Building 218 Tian Mu, Xi Road, Shanghai 200070 (CN).
- (74) Common Representative: KONINKLIJKE PHILIPS ELECTRONICS N.V.; ZHONG, Jimmy, Philips Electronics China, 21/F Kerry, Office Building, 218 Tian Mu Xi Lu Road, Shanghai 200070 (CN).

- (81) Designated States (unless otherwise indicated, for every kind of national protection available): AE, AG, AL, AM, AT, AU, AZ, BA, BB, BG, BH, BR, BW, BY, BZ, CA, CH, CN, CO, CR, CU, CZ, DE, DK, DM, DZ, EC, EE, EG, ES, FI, GB, GD, GE, GH, GM, GT, HN, HR, HU, ID, IL, IN, IS, JP, KE, KG, KM, KN, KP, KR, KZ, LA, LC, LK, LR, LS, LT, LU, LY, MA, MD, MG, MK, MN, MW, MX, MY, MZ, NA, NG, NI, NO, NZ, OM, PG, PH, PL, PT, RO, RS, RU, SC, SD, SE, SG, SK, SL, SM, SV, SY, TJ, TM, TN, TR, TT, TZ, UA, UG, US, UZ, VC, VN, ZA, ZM, ZW.
- (84) Designated States (unless otherwise indicated, for every kind of regional protection available): ARIPO (BW, GH, GM, KE, LS, MW, MZ, NA, SD, SL, SZ, TZ, UG, ZM, ZW), Eurasian (AM, AZ, BY, KG, KZ, MD, RU, TJ, TM), European (AT, BE, BG, CH, CY, CZ, DE, DK, EE, ES, FI, FR, GB, GR, HU, IE, IS, IT, LT, LU, LV, MC, MT, NL, PL, PT, RO, SE, SI, SK, TR), OAPI (BF, BJ, CF, CG, CI, CM, GA, GN, GQ, GW, ML, MR, NE, SN, TD, TG).

**Declaration under Rule 4.17:**

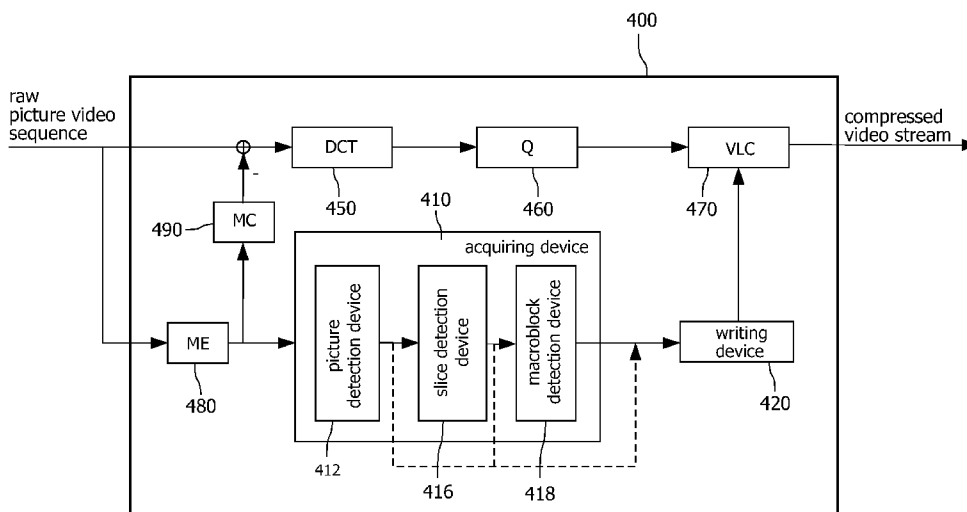
— as to applicant's entitlement to apply for and be granted a patent (Rule 4.17(ii))

**Published:**

- with international search report
- before the expiration of the time limit for amending the claims and to be republished in the event of receipt of amendments

[Continued on next page]

(54) Title: METHOD AND APPARATUS FOR ENCODING/TRANSCODING AND DECODING



(57) Abstract: The present invention provides a method and apparatus for encoding/transcoding and decoding, wherein the method for encoding comprises steps of: acquiring a location information, said location information being used to identify the location of a video information, the complexity of said video information being less than a predetermined threshold; based on said location information, writing a predetermined error information into an encoded video stream to replace the encoding of said video information. With present invention, a predetermined error information can be written at the encoding/transcoding end, and code rate is decreased effectively. Meanwhile, the predetermined error information can be easily detected at the decoding end and be error-hidden, which ensures the quality of images resulted when users play video file via the mobile device.

WO 2007/125458 A3



---

**(88) Date of publication of the international search report:**

10 January 2008

*For two-letter codes and other abbreviations, refer to the "Guidance Notes on Codes and Abbreviations" appearing at the beginning of each regular issue of the PCT Gazette.*

**INTERNATIONAL SEARCH REPORT**

International application No  
PCT/IB2007/051405

**A. CLASSIFICATION OF SUBJECT MATTER**  
INV. H04N7/26 H04N7/50

According to International Patent Classification (IPC) or to both national classification and IPC

**B. FIELDS SEARCHED**

Minimum documentation searched (classification system followed by classification symbols)  
H04N

Documentation searched other than minimum documentation to the extent that such documents are included in the fields searched

Electronic data base consulted during the international search (name of data base and, where practical, search terms used)

EPO-Internal, WPI Data

**C. DOCUMENTS CONSIDERED TO BE RELEVANT**

Category*	Citation of document, with indication, where appropriate, of the relevant passages	Relevant to claim No.
X	WO 2006/012384 A (QUALCOMM INC [US]; RAVEENDRAN VIJAYALAKSHMI R [US]; SHI FANG [US]; WAL) 2 February 2006 (2006-02-02)	1-12,15
Y	abstract; claim 8 paragraphs [0012], [0025] - [0045], [0065], [0066]	13,14
X	WO 2005/065030 A (BENDELAC URI [US]; VIDEOCODES INC [US] VIDEOCODES INC [US]; BENDELAC U) 21 July 2005 (2005-07-21) abstract; figures 1,5,7 page 10, paragraph 1 page 11, paragraph 1 page 14, paragraph 1 - page 15, paragraph 1 page 17, paragraph 4 - paragraph 4; figure 19	1-12,15

Further documents are listed in the continuation of Box C.

See patent family annex.

\* Special categories of cited documents :

- \*A\* document defining the general state of the art which is not considered to be of particular relevance
- \*E\* earlier document but published on or after the international filing date
- \*L\* document which may throw doubts on priority claim(s) or which is cited to establish the publication date of another citation or other special reason (as specified)
- \*O\* document referring to an oral disclosure, use, exhibition or other means
- \*P\* document published prior to the international filing date but later than the priority date claimed

- \*T\* later document published after the international filing date or priority date and not in conflict with the application but cited to understand the principle or theory underlying the invention
- \*X\* document of particular relevance; the claimed invention cannot be considered novel or cannot be considered to involve an inventive step when the document is taken alone
- \*Y\* document of particular relevance; the claimed invention cannot be considered to involve an inventive step when the document is combined with one or more other such documents, such combination being obvious to a person skilled in the art.
- \*Z\* document member of the same patent family

Date of the actual completion of the international search

26 October 2007

Date of mailing of the international search report

12/11/2007

Name and mailing address of the ISA/  
European Patent Office, P.B. 5818 Patentlaan 2  
NL - 2280-HV Plijswijk  
Tel. (+31-70) 340-2040, Tx. 31 651 epo nl,  
Fax: (+31-70) 340-3016

Authorized officer  
  
Cakiroglu, Seda

## INTERNATIONAL SEARCH REPORT

International application No

PCT/IB2007/051405

C(Continuation). DOCUMENTS CONSIDERED TO BE RELEVANT		
Category*	Citation of document, with indication, where appropriate, of the relevant passages	Relevant to claim No.
X	WO 2005/120077 A (SONY CORP [JP]; TANAKA JUNICHI [JP]; SATO KAZUSHI [JP]; HASHINO TSUKAS) 15 December 2005 (2005-12-15) abstract; figure 5 paragraphs [0004], [0007], [0024], [0030], [0046] - [0054] & EP 1 753 247 A (SONY CORP [JP]) 14 February 2007 (2007-02-14)	1-12,15
X	US 2003/053537 A1 (KIM CHANG-SU [KR] ET AL) 20 March 2003 (2003-03-20) abstract paragraphs [0016], [0068], [0084] - [0091]	1,6,11, 12,15
Y	US 2005/147163 A1 (LI SHIPENG [US] ET AL) 7 July 2005 (2005-07-07) abstract; figure 3 paragraphs [0005], [0029], [0044] - [0046], [0059]	13,14
A	EP 1 475 971 A (MITSUBISHI ELECTRIC CORP [JP]) 10 November 2004 (2004-11-10) abstract; figure 2 paragraphs [0015], [0037], [0038], [0063] - [0076]	13,14

# INTERNATIONAL SEARCH REPORT

Information on patent family members

International application No PCT/IB2007/051405
---

Patent document cited in search report	Publication date	Patent family member(s)	Publication date
WO 2006012384 A	02-02-2006	AU 2005267171 A1	02-02-2006
		CA 2574297 A1	02-02-2006
		EP 1772017 A2	11-04-2007
		KR 20070044455 A	27-04-2007
-----	-----	-----	-----
WO 2005065030 A	21-07-2005	NONE	
-----	-----	-----	-----
WO 2005120077 A	15-12-2005	CN 1993993 A	04-07-2007
		EP 1753247 A1	14-02-2007
		JP 2005348093 A	15-12-2005
		TW 262726 B	21-09-2006
-----	-----	-----	-----
EP 1753247 A	14-02-2007	CN 1993993 A	04-07-2007
		JP 2005348093 A	15-12-2005
		WO 2005120077 A1	15-12-2005
		TW 262726 B	21-09-2006
-----	-----	-----	-----
US 2003053537 A1	20-03-2003	US 2005089091 A1	28-04-2005
-----	-----	-----	-----
US 2005147163 A1	07-07-2005	NONE	
-----	-----	-----	-----
EP 1475971 A	10-11-2004	CN 1640149 A	13-07-2005
		WO 03088676 A1	23-10-2003
		JP 2003309851 A	31-10-2003
		US 2005041740 A1	24-02-2005
-----	-----	-----	-----