



US00D686125S

(12) **United States Design Patent**  
**McCabe et al.**

(10) **Patent No.:** **US D686,125 S**

(45) **Date of Patent:** **\*\* Jul. 16, 2013**

(54) **VEHICLE FRONT FENDER**

(75) Inventors: **Steven M. McCabe**, Harper Woods, MI (US); **Jeasoo Kim**, Troy, MI (US); **Samuel Zhao**, Sterling Heights, MI (US)

(73) Assignee: **GM Global Technology Operations LLC**, Detroit, MI (US)

(\*\*) Term: **14 Years**

(21) Appl. No.: **29/413,254**

(22) Filed: **Feb. 13, 2012**

(51) **LOC (9) Cl.** ..... **12-16**

(52) **U.S. Cl.**  
USPC ..... **D12/184**

(58) **Field of Classification Search**  
USPC ..... D12/184, 196, 90-92, 181; 280/152.1, 280/847-849, 851; 296/181.1, 181.5

See application file for complete search history.

(56) **References Cited**

U.S. PATENT DOCUMENTS

D607,797 S *	1/2010	Walter et al. ....	D12/184
D609,150 S *	2/2010	Kruger et al. ....	D12/184
D615,013 S *	5/2010	Lamm et al. ....	D12/181
D665,319 S *	8/2012	Huet .....	D12/184
D669,405 S *	10/2012	Gifford .....	D12/184

\* cited by examiner

*Primary Examiner* — Melody Brown

(74) *Attorney, Agent, or Firm* — Parks IP Law LLC; Mickki D. Murray

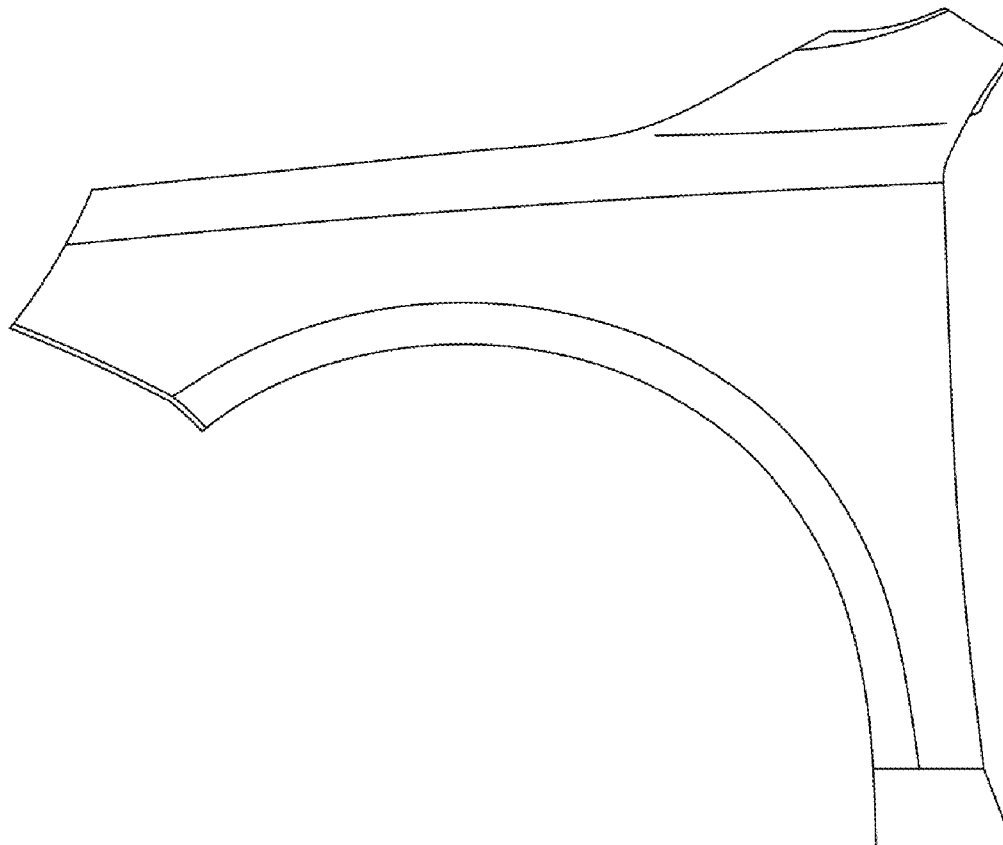
(57) **CLAIM**

The ornamental design for a vehicle front fender, as shown and described.

**DESCRIPTION**

FIG. 1 is perspective view of a vehicle front fender showing the new design;  
FIG. 2 is a side view, thereof;  
FIG. 3 is a front view, thereof; and,  
FIG. 4 is a top plan view, thereof.

**1 Claim, 1 Drawing Sheet**



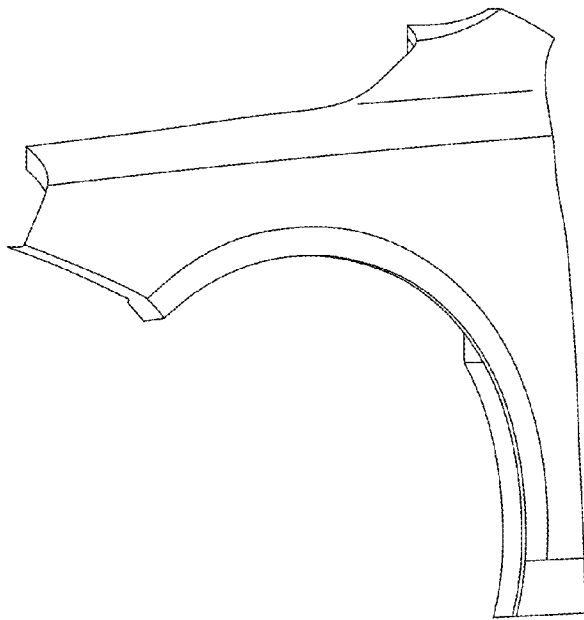


Fig-1

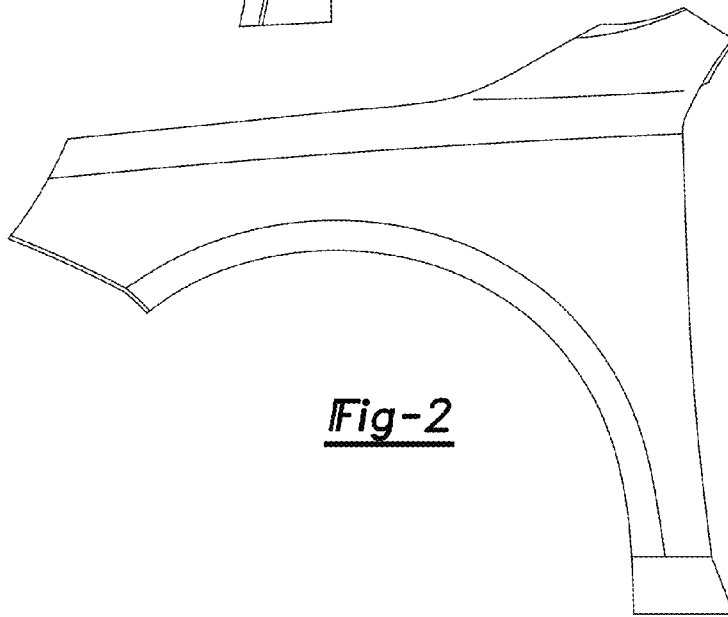


Fig-2

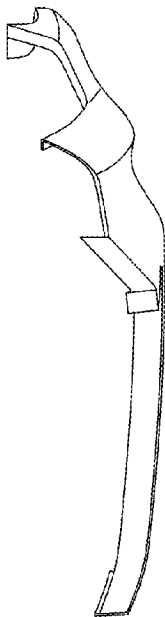


Fig-3

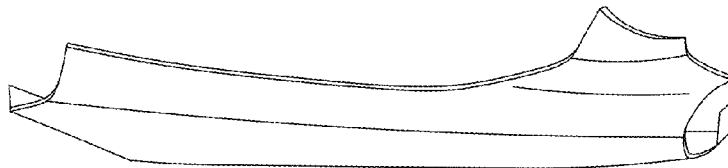


Fig-4